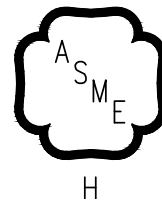


INSTALLATION, OPERATING AND SERVICE INSTRUCTIONS FOR

SERIES 8H / 8HE GAS - FIRED BOILER



⚠ WARNING

This manual must only be used by a qualified heating installer/service technician. BEFORE installing, read all instructions in this manual and all other information shipped with the boiler. Post all instructions and manuals near the boiler for reference by service personnel. Perform steps in the order given. Failure to comply could result in severe personal injury, death or substantial property damage.

⚠ ADVERTISSEMENT

Ce manuel ne doit être utilisé que par des techniciens qualifiés en entretien et installation d'appareil de chauffage. Lire l'ensemble des directives et toute autre information reçue avec la chaudière AVANT l'installation. Conserver ces directives près de la chaudière afin que le personnel d'entretien puisse s'y référer. Exécuter les étapes dans l'ordre donné. Ne pas se conformer aux directives peut engendrer des blessures graves, la mort ou d'importants dommages matériels.



www.burnhamcommercial.com

81416023R7 - 1/21

Price - \$5.00

IMPORTANT INFORMATION - READ AND SAVE THESE INSTRUCTIONS FOR REFERENCE

All boilers must be installed in accordance with National, State and Local Plumbing, Heating and Electrical Codes and the regulations of the serving utilities. These Codes and Regulations may differ from this instruction manual. Authorities having jurisdiction should be consulted before installations are made. In all cases, reference should be made to the following Standards:

USA BOILERS

- A. Current Edition of American National Standard ANSI/NFPA 31, "Installation of Oil Burning Equipment", for recommended installation practices.
- B. Current Edition of National Fuel Gas Code, NFPA 54/ANSI Z223.1.
- C. Current Edition of American National Standard ANSI/NFPA 211, "Chimneys, Fireplaces, Vents, and Solid Fuel Burning Appliances", For Venting requirements.
- D. Current Edition of American Society of Mechanical Engineers ASME CSD-1, "Controls and Safety Devices for Automatically Fired Boilers", for assembly and operations of controls and safety devices.
- E. All wiring on boilers installed in the USA shall be made in accordance with the National Electrical Code and/or Local Regulations.

CANADIAN BOILERS

- A. Current Edition of Canadian Standards Association CSA B139, "Installation Code for Oil Burning Equipment", for recommended Installation Practices.
- B. The equipment shall be installed in accordance with the current Installation Code for Gas Burning Appliances and Equipment, CSA B149, and applicable Provincial Regulations for the class; which should be carefully followed in all cases.
Authorities having jurisdiction should be consulted before installations are made.
- C. All wiring on boilers installed in Canada shall be made in accordance with the Canadian Electrical Code and/or Local Regulations.

Hazard Definitions

The following defined terms are used throughout this manual to bring attention to the presence of hazards of various risk levels or to important information concerning the life of the product.

⚠ DANGER

Indicates an imminently hazardous situation which, if not avoided, will result in death, serious injury or substantial property damage.

⚠ CAUTION

Indicates a potentially hazardous situation which, if not avoided, may result in moderate or minor injury or property damage.

⚠ WARNING

Indicates a potentially hazardous situation which, if not avoided, could result in death, serious injury or substantial property damage.

NOTICE

Indicates special instructions on installation, operation, or maintenance which are important but not related to personal injury hazards.

Définitions des dangers

Les termes suivants sont utilisés tout au long de ce manuel afin de souligner la présence de dangers dont le niveau de risque varie ou de mettre en relief de l'information cruciale quant à la durée de vie du produit.

⚠ DANGER

Indique une situation de danger imminent qui, si elle n'est pas évitée, peut causer la mort, de graves blessures ou d'importants dommages matériels.

⚠ ATTENTION

Indique une situation de danger potentiel qui, si elle n'est pas évitée, cause la mort, de graves blessures ou d'importants dommages matériels.

⚠ ADVERTISSEMENT

Indique une situation de danger potentiel qui, si elle n'est pas évitée, peut causer des blessures mineures ou de légers dommages matériels.

AVIS

Indique des directives particulières, importantes, mais sans risque de blessure, lors de l'installation, de l'utilisation ou de l'entretien.

⚠ DANGER

DO NOT store or use gasoline or other flammable vapors or liquids in the vicinity of this or any other appliance.

If you smell gas or fuel oil vapors, do not try to operate the burner/boiler system. Do not touch any electrical switch or use any phone in the building. Immediately call the gas or oil supplier from a remotely located phone.

Burner/boiler systems produce steam or hot water in a pressurized vessel by mixing extremely flammable gaseous, liquid or solid fuels with air to produce combustion and very hot products of combustion. Explosions, fires severe personal injury, death and/or property damage will result from improper, careless or inadequate installation, operation or maintenance of fuel-burning and boiler equipment.

⚠ WARNING

This boiler requires regular maintenance and service to operate safely. Follow the instructions contained in this manual.

Improper installation, adjustment, alteration, service or maintenance can cause property damage, personal injury or loss of life. Read and understand the entire manual before attempting installation, start-up operation, or service. Installation and service must be performed only by an knowledgeable, experienced, and skilled installer or service agency.

This boiler must be properly vented.

This boiler needs fresh air for safe operation and must be installed so there are provisions for adequate combustion and ventilation air.

The interior of the venting system must be inspected and cleaned before the start of the heating season and should be inspected periodically throughout the heating season for any obstructions. A clean and unobstructed venting system is necessary to allow noxious fumes that could cause injury or loss of life to vent safely and will contribute toward maintaining the boiler's efficiency.

Installation is not complete unless a pressure relief valve is installed into the specified tapping on the supply manifold located on top and at rear of appliance - See Section IV, Paragraph C.

This boiler is supplied with safety devices which may cause the boiler to shut down and not re-start without service. If damage due to frozen pipes is a possibility, the heating system should not be left unattended in cold weather; or appropriate safeguards and alarms should be installed on the heating system to prevent damage if the boiler is inoperative.

This boiler contains very hot water under high pressure. Do not unscrew any pipe fittings nor attempt to disconnect any components of this boiler without positively assuring the water is cool and has no pressure. Always wear protective clothing and equipment when installing, starting up or servicing this boiler to prevent scald injuries. Do not rely on the pressure and temperature gauges to determine the temperature and pressure of the boiler.

This boiler contains components which become very hot when the boiler is operating. Do not touch any components unless they are cool.

Boiler materials of construction, products of combustion and the fuel contain alumina, silica, heavy metals, carbon monoxide, nitrogen oxides, aldehydes and/or other toxic or harmful substances which can cause death or serious injury and which are known to the state of California to cause cancer, birth defects and other reproductive harm. Always use proper safety clothing, respirators and equipment when servicing or working nearby the appliance.

Failure to follow all instructions in the proper order can cause personal injury or death. Read all instructions, including all those contained in component manufacturers manuals which are provided with the boiler before installing, starting up, operating, maintaining or servicing.

Keep boiler area clear and free from combustible materials, gasoline and other flammable vapors or liquids.

Do not operate boiler with control which has been subject to water.

All cover plates, enclosures and guards must be in place at all times.

⚠ WARNING**⚠ ADVERTISSEMENT**

Improper installation, adjustment, alteration, service or maintenance can cause property damage, personal injury or loss of life. Failure to follow all instructions in the proper order can cause personal injury or death. Read and understand all instructions, including all those contained in component manufacturers manuals which are provided with the appliance before installing, starting-up, operating, maintaining or servicing this appliance. Keep this manual and literature in legible condition and posted near appliance for reference by owner and service technician.

Keep boiler area clear and free from combustible materials, gasoline and other flammable vapors and liquids.

This boiler requires regular maintenance and service to operate safely. Follow the instructions contained in this manual.

Installation, maintenance, and service must be performed only by an experienced, skilled and knowledgeable installer or service agency.

All heating systems should be designed by competent contractors and only persons knowledgeable in the layout and installation of heating systems should attempt installation of any boiler.

It is the responsibility of the installing contractor to see that all controls are correctly installed and are operating properly when the installation is completed.

Installation is not complete unless a pressure relief valve is installed.

This boiler is NOT suitable for installation on combustible flooring.

Do not tamper with or alter the boiler or controls. Retain your contractor or a competent serviceman to assure that the unit is properly adjusted and maintained.

Clean boiler at least once a year - preferably at the start of the heating season to remove soot and scale. The inside of the combustion chamber should also be cleaned and inspected at the same time.

Have Burner and Controls checked at least once a year or as may be necessitated. Do not operate unit with jumpered or absent controls or safety devices. Do not operate unit if any control, switch, component, or device has been subject to water.

Toute installation, altération, réparation, ou tout réglage ou entretien inadéquat peut provoquer des dommages matériels, une blessure ou une perte de vie. Ne pas se conformer aux directives dans l'ordre donné peut causer des blessures ou la mort. S'assurer de bien les comprendre, y compris celles des manuels du fabricant accompagnant les composants fournis avant d'installer, d'utiliser, de réparer, de démarrer ou d'entretenir cet appareil. Conserver ce manuel et toute autre documentation en bonne condition près de l'appareil aux fins de référence pour le propriétaire ou le technicien en entretien et réparation.

Garder l'espace autour de la chaudière dégagé et exempt de matières combustibles, d'essence et d'autres vapeurs et liquides inflammables.

Pour fonctionner de façon sécuritaire, cette chaudière nécessite un entretien régulier. Suivre les directives de ce manuel.

L'installation, les réparations et l'entretien doivent être effectués uniquement par un installateur ou un organisme de service expérimenté et qualifié.

Tout système de chauffage devrait être conçu par des entrepreneurs compétents, et seules les personnes qualifiées pour l'installation de tel système devraient s'en charger.

Il incombe à l'installateur de s'assurer que les dispositifs de contrôle sont correctement fixés et en état de marche au terme de l'installation.

L'installation n'est pas terminée tant qu'une soupape de sûreté n'est pas fixée.

Cette chaudière NE PEUT être installée sur un plancher combustible.

Ne pas modifier la chaudière ou ses commandes. S'assurer que l'unité est correctement réglée et entretenue auprès d'un entrepreneur ou d'un technicien compétent.

Nettoyer la suie et le tartre accumulés au moins une fois par année, si possible, au début de la saison froide. Au même moment, nettoyer et inspecter l'intérieur de la chambre de combustion.

Faites vérifier le brûleur et ses commandes au moins une fois par an ou lorsque nécessaire. Ne pas faire fonctionner si les commandes ou les dispositifs de sûreté sont absents ou installés à l'aide de cavaliers. Ne pas faire fonctionner si une commande, un interrupteur, un composant ou un dispositif est entré en contact avec de l'eau.

⚠ WARNING

This boiler is designed to burn natural and/or LP gas only. Do not use gasoline, crankcase drainings, or any oil containing gasoline. Never burn garbage or paper in this boiler. Do not convert to any solid fuel (i.e. wood, coal). All flammable debris, rags, paper, wood scraps, etc., should be kept clear of the boiler at all times. Keep the boiler area clean and free of fire hazards.

Float type low water cutoff devices require annual inspection and maintenance. Refer to instructions in Section IX, Paragraph B.

NOTICE

NOTICE

This boiler has a limited warranty, a copy of which is printed on the back of this manual. It is the responsibility of the installing contractor to see that all controls are correctly installed and are operating properly when the installation is complete.

USA boilers built for installation at altitudes greater than 2,000 feet above sea level have been specially orificed to reduce gas input rate 4 percent per 1,000 feet above sea level per the National Fuel Gas Code, NFPA 54/ANSI Z223.1, Section 8.1.2 and Appendix F. Canadian boilers' orifice sizing is indicated on the rating label.

NOTICE

NOTICE

All Series 8HE cast iron boilers are designed, built, marked and tested in accordance with the ASME Boiler and Pressure Vessel Code, Section IV, Heating Boilers. An ASME Data Label is factory applied to each 8HE jacket, which indicates the boiler Maximum Allowable working Pressure (MAWP). Each cast iron section is permanently marked with the MAWP listed on the boiler's ASME Data Label. The MAWP for all Series 8HE Boiler is 50 psi (Water Only).

It is common and acceptable practice to install these boilers in lower pressure systems, below the boiler MAWP. Therefore, in addition to Safety Relief Valves set for 50 psi, Burnham also offers Safety Relief Valves set for 30 psi (By Special Order Only).

NOTICE

AVIS

This boiler has a limited warranty, a copy of which is printed on the back of this manual.

It is the responsibility of the installing contractor to see that all controls are correctly installed and are operating properly when the installation is complete. The warranty for this boiler is valid only if the boiler has been installed, maintained and operated in accordance with these instructions.

Cette chaudière est sous garantie limitée, dont un exemplaire apparaît à l'arrière du manuel.

Il incombe à l'installateur de s'assurer que les dispositifs sont correctement fixés et en état de marche au terme de l'installation. La garantie pour cette chaudière est valable seulement si le produit est installé, entretenu et utilisé selon les présentes directives.

⚠ DANGER

DO NOT store or use gasoline or other flammable vapors or liquids in the vicinity of this or any other appliance.

If you smell gas or fuel oil vapors, do not try to operate the burner/boiler system. Do not touch any electrical switch or use any phone in the building. Immediately call the gas or oil supplier from a remotely located phone.

Burner/boiler systems produce steam or hot water in a pressurized vessel by mixing extremely flammable gaseous, liquid or solid fuels with air to produce combustion and very hot products of combustion. Explosions, fires severe personal injury, death and/or property damage will result from improper, careless or inadequate installation, operation or maintenance of fuel-burning and boiler equipment.

NE PAS entreposer ou utiliser de l'essence ou toute autre matière inflammable gazeuse ou liquide à proximité de la chaudière ou de tout autre appareil.

Si vous sentez une odeur de gaz ou de mazout, ne pas tenter d'utiliser le système de brûleur/chaudière. Ne pas toucher les interrupteurs ni se servir des téléphones du bâtiment. Appeler immédiatement le fournisseur de gaz ou de mazout à partir d'un autre endroit.

Les systèmes de brûleur/chaudière produisent de la vapeur ou de l'eau chaude en mélangeant des carburants hautement inflammables gazeux, liquides ou solides avec de l'air dans une cuve sous pression pour produire une combustion et des résidus très chauds. Des explosions, des incendies, des blessures graves, la mort ou d'importants dommages matériels peuvent découler d'une installation, d'une utilisation ou d'un entretien inadéquat ou négligé de l'équipement de combustion et de la chaudière.

Important Product Safety Information **Refractory Ceramic Fiber Product**

⚠️WARNING

The Repair Parts list designates parts that contain refractory ceramic fibers (RCF). RCF has been classified as a possible human carcinogen. When exposed to temperatures above 1805°F, such as during direct flame contact, RCF changes into crystalline silica, a known carcinogen. When disturbed as a result of servicing or repair, these substances become airborne and, if inhaled, may be hazardous to your health.

AVOID Breathing Fiber Particulates and Dust

Precautionary Measures:

Do not remove or replace RCF parts or attempt any service or repair work involving RCF without wearing the following protective gear:

1. A National Institute for Occupational Safety and Health (NIOSH) approved respirator
 2. Long sleeved, loose fitting clothing
 3. Gloves
 4. Eye Protection
- Take steps to assure adequate ventilation.
 - Wash all exposed body areas gently with soap and water after contact.
 - Wash work clothes separately from other laundry and rinse washing machine after use to avoid contaminating other clothes.
 - Discard used RCF components by sealing in an airtight plastic bag. RCF and crystalline silica are not classified as hazardous wastes in the United States and Canada.

First Aid Procedures:

- If contact with eyes: Flush with water for at least 15 minutes. Seek immediate medical attention if irritation persists.
- If contact with skin: Wash affected area gently with soap and water. Seek immediate medical attention if irritation persists.
- If breathing difficulty develops: Leave the area and move to a location with clean fresh air. Seek immediate medical attention if breathing difficulties persist.
- Ingestion: Do not induce vomiting. Drink plenty of water. Seek immediate medical attention.

Informations importantes sur la sécurité du produit **Produit en fibre de céramique réfractaire**

⚠ ADVERTISSEMENT

La liste des pièces de rechange désigne les pièces contenant des fibres céramiques réfractaires (RCF). Le RCF a été classé comme cancérigène possible pour l'homme. Quand exposé à des températures supérieures à 1805 ° F, comme lors d'un contact direct avec une flamme, Le RCF se transforme en silice cristalline, un cancérigène connu. Lorsqu'elles sont dérangées à la suite d'un entretien ou d'une réparation, ces substances deviennent en suspension dans l'air et, si elles sont inhalées, peuvent être dangereuses pour votre santé.

ÉVITEZ de respirer les particules de fibre et la poussière

Des mesures de précaution:

Ne retirez ni ne remplacez les pièces RCF et ne tentez aucun travail d'entretien ou de réparation impliquant RCF sans porter l'équipement de protection suivant:

1. Un respirateur approuvé par le National Institute for Occupational Safety and Health (NIOSH)
 2. Vêtements amples à manches longues
 3. Gants
 4. Protection des yeux
- Prendre des mesures pour assurer une ventilation adéquate.
 - Laver délicatement toutes les parties du corps exposées avec du savon et de l'eau après contact.
 - Lavez les vêtements de travail séparément des autres vêtements et rincez la machine à laver après utilisation pour éviter de contaminer d'autres vêtements.
 - Jeter les composants RCF usagés en les scellant dans un sac en plastique hermétique. Le FCR et la silice cristalline ne sont pas classés comme déchets dangereux aux États-Unis et au Canada.

Procédures de premiers soins:

- En cas de contact avec les yeux: rincer à grande eau pendant au moins 15 minutes. Consulter immédiatement un médecin si l'irritation persiste.
- En cas de contact avec la peau: laver délicatement la zone affectée avec du savon et de l'eau. Consulter immédiatement un médecin si l'irritation persiste.
- Si des difficultés respiratoires se développent: quitter la zone et se déplacer vers un endroit avec de l'air frais et propre. Consulter immédiatement un médecin si les difficultés respiratoires persistent.
- Ingestion: ne pas faire vomir. Boire beaucoup d'eau. Cherchez une attention médicale immédiate.

Table of Contents

I. Pre-Installation.....	10
II. Boiler Assembly.....	12
III. Gas Control System Assembly (Knockdown Boilers)	19
IV. Water Trim and Piping.....	26
V. Gas Piping.....	30
VI. Venting.....	32
VII. Electrical.....	35
VIII. System Start-up.....	51
IX. Service.....	61
X. Repair Parts.....	66

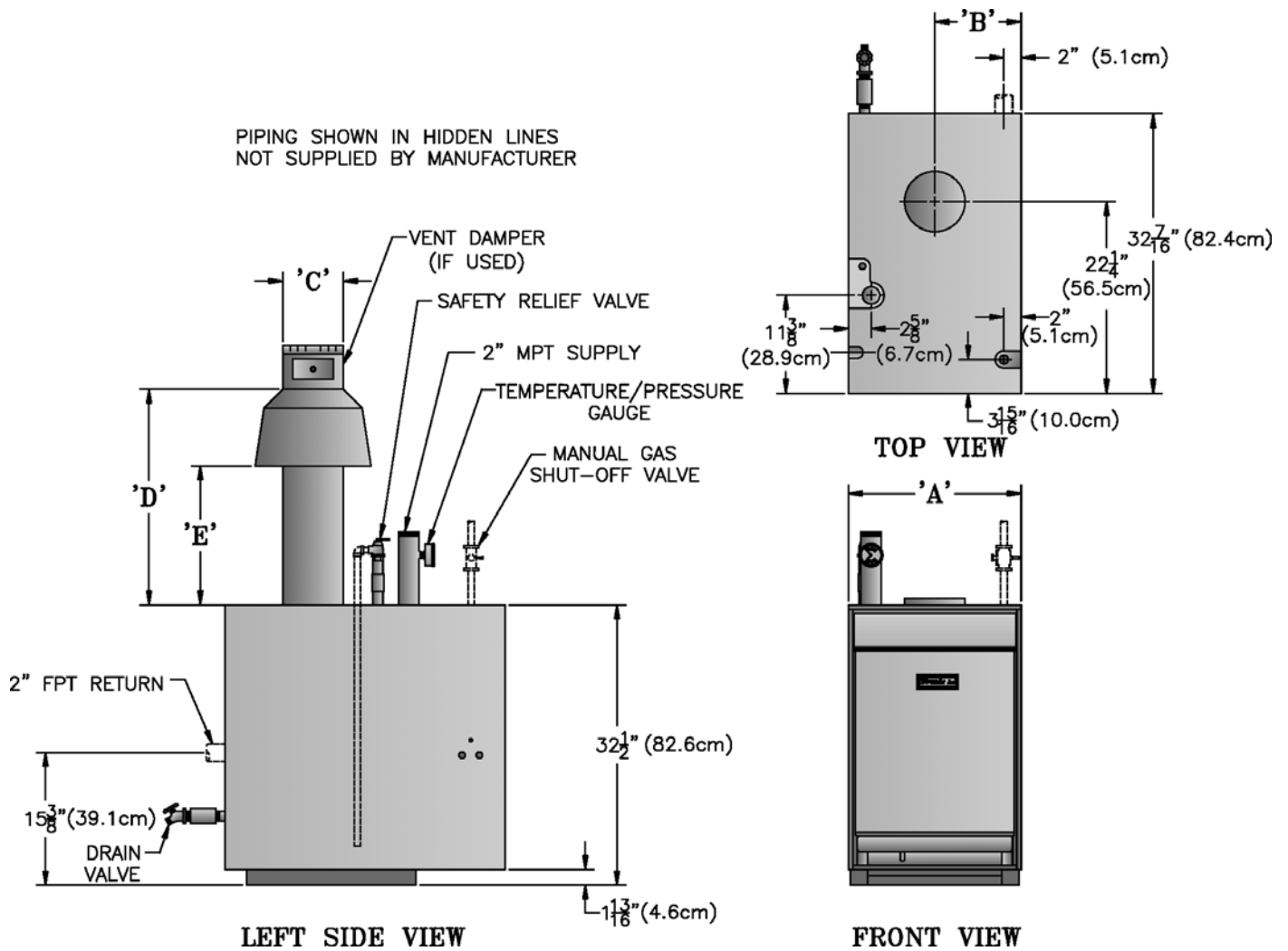


Figure 1: Dimensional Data

Table 1: Dimensional Data

Boiler Model	Input (MBH)	Dimensions (Inches)					Recommended Chimney Size (Round)	Water Content (Gallons)	Approx. Shipping Weight (LB.)	
		A	B	C	D	E			Packaged	Knockdown
805H	252	20	10	7	24-13/16	16-1/8	7" dia. x 15 ft.	11.9	600	610
806H	315	23-3/4	11-7/8	8	27-13/16	18	8" dia. x 15 ft.	13.9	690	700
807HE	340	27-1/2	13-3/4	8	27-13/16	18	8" dia. x 15 ft.	15.9	785	870
808HE	410	31-1/4	15-5/8	9	30-13/16	20	9" dia. x 15 ft.	17.9	895	955
809HE	460	35	17-1/2	10	33-1/2	22	10" dia. x 15 ft.	19.9	985	1050
810HE	505	38-3/4	19-3/8	10	33-1/2	22	10" dia. x 15 ft.	21.9	1075	1150

I. Pre-Installation

⚠ WARNING

Carefully read all instructions before installing boiler. Failure to follow all instructions in proper order can cause personal injury or death.

⚠ ADVERTISSEMENT

Lisez attentivement toutes les instructions avant d'installer la chaudière. Le non-respect de toutes les instructions dans le bon ordre peut entraîner des blessures ou la mort.

- A. Inspect shipment** carefully for any signs of damage. All equipment is carefully manufactured, inspected and packed. Our responsibility ceases upon delivery of boiler to carrier in good condition. Any claim for damage or shortage in shipment must be filed immediately against carrier by consignee. No claims for variances or shortages will be allowed by Boiler Manufacturer, unless presented within sixty (60) days after receipt of equipment.
- B. Installation must conform** to the requirements of the authority having jurisdiction. In the absence of such requirements, installation must conform to the *National Fuel Gas Code*, NFPA 54/ANSI Z223.1 and/or CAN/CSA B149.1 Installation Codes. Where required by the authority having jurisdiction, the installation must conform to the *Standard for Controls and Safety Devices for Automatically Fired Boilers*, ANSI/ASME No CSD-1.
- C. Provide clearance between combustible material** and boiler jacket (following clearances are minimums):
- USA, 805H-807HE: listed for Alcove installation
 - Front: 18"
 - Top: 36"
 - Draft hood, rear, sides and flue connector: 6"

⚠ WARNING

Appliance is design certified for installation on noncombustible flooring only. For installation on combustible flooring only when installed on special base listed in Table 2. Boiler must not be installed on carpeting. When boiler is installed on concrete which is over a material that is subject to melting (PVC, PEX radiant tubing, etc.), the special base must be used. A concrete pad is not sufficient to protect combustible flooring.

⚠ ADVERTISSEMENT

L'appareil est conçu pour être installé sur un plancher non combustible uniquement. Pour une installation sur un plancher combustible uniquement lorsqu'elle est installée sur une base spéciale indiquée dans le tableau 2. La chaudière ne doit pas être installée sur un tapis. Lorsque la chaudière est installée sur du béton qui repose sur un matériau soumis à la fusion (PVC, tube rayonnant PEX, etc.), la base spéciale doit être utilisée. Une dalle de béton n'est pas suffisante pour protéger les planchers combustibles.

Table 2: Special Base Required for Installation on Combustible Flooring

Boiler Model	Special Base Part Number
805H	61816055
806H	61816065
807HE	61816075
808HE	61816085
809HE	61816095
810HE	61816105

- USA, 808HE-810HE: for installation in room which is large in comparison with size of boiler.
 - Front: 18"
 - Top: 51½"
 - Draft hood, rear, sides, and flue connector: 6"
 - Canada, 805H-810HE:
 - Top and front: 18" (45.7 cm)
 - Flue, rear and sides: 6" (15.2 cm)
- D. Provide clearance for servicing** and proper operation (following clearances are recommended and may be reduced to minimum clearances shown above):
- Single boiler, 805H-807HE, Front/Top: 24" (61.0 cm)
 - Single boiler, 808HE-810HE, Front/Top: 48" (122.0 cm)
 - Multiple/modular boiler, USA /Canada, Sides: 1" (2.5 cm)
- E. Install boiler on level floor** as close to chimney as possible. For basement installation provide a solid base such as concrete or masonry construction if floor is not level or if water may be encountered on floor around boiler.
- F. Protect gas ignition system components** from water (dripping, spraying, rain, etc.) during boiler operation and service (circulator replacement, control replacement, etc.).
- G. Provide combustion and ventilation air** in accordance with applicable provisions of local building codes, or the *National Fuel Gas Code*, NFPA 54/ANSI Z223.1, Air for Combustion and Ventilation; or CAN/CSA B149.1, Venting Systems and Air Supply for Appliances.

⚠ WARNING

Adequate combustion and ventilation air must be provided to assure proper combustion.

⚠ ADVERTISSEMENT

Un air de combustion et de ventilation adéquat doit être fourni pour assurer une combustion adéquate.

The following guideline is based on the *National Fuel Gas Code*, NFPA 54/ANSI Z223.1.

1. Determine volume of space (boiler room). Rooms communicating directly with space (through permanent openings not furnished with doors) are considered part of space.
Volume [ft³] = Length [ft] x Width [ft] x Height [ft]
2. Determine Total Input of all appliances in space. Round result to nearest 1,000 Btu per hour (Btuh).
3. Determine type of space. Divide Volume by Total Input.
 - a. If result is greater than or equal to 50 ft³ per 1,000 Btuh, space is considered an *unconfined space*.
 - b. If result is less than 50 ft³ per 1,000 Btuh, space is considered a *confined space*.
4. Determine building type. A building of *unusually tight construction* has the following characteristics:
 - a. Walls and ceiling exposed to outside atmosphere have a continuous water vapor retarder with a rating of 1 perm or less with openings gasketed and sealed, and
 - b. Weather-stripping has been added on openable windows and doors, and
 - c. Caulking or sealants applied in joints around window and door frames, between sole plates and floors, between wall-ceiling joints, between wall panels, at plumbing and electrical penetrations, and at other openings.
5. For boiler located in an *unconfined space in a building of other than unusually tight construction*, adequate combustion and ventilation air is normally provided by fresh air infiltration through cracks around windows and doors.
6. For boiler located in an *unconfined space in a building of unusually tight construction* or in a *confined space*, provide outdoor air through permanent opening(s) which communicate directly or by duct with the outdoors or spaces (crawl or attic) freely communicating with the outdoors. Minimum dimension of air opening(s) is 3" (7.6 cm).
 - a. Two permanent openings: Locate one opening within 12 inches (30.5 cm) of top of space. Locate remaining opening within 12 inches (30.5 cm) of bottom of space. Size each opening per following:
 - i. Direct communication with outdoors. Minimum free area of each opening must be 1 square inch per 4,000 Btu per hour input of all equipment in space.
 - ii. Vertical ducts. Minimum free area of each opening must be 1 square inch per 4,000 Btu per hour input of all equipment in space. Duct cross-sectional area shall be same as opening free area.

- iii. Horizontal ducts. Minimum free area of each opening must be 1 square inch per 2,000 Btu per hour input of all equipment in space. Duct cross-sectional area shall be same as opening free area.
 - b. One permanent opening shall be permitted where the boiler has clearances of at least 1" (2.5 cm) from the sides and rear and 6" (15.2 cm) from the front. Locate the opening within 12 inches (30.5 cm) of top of space. Size opening per following:
 - i. Minimum free area of 1 square inch per 3,000 Btu per hour input of all equipment in space.
 - ii. Free area shall not be less than the sum of the areas of all vent connectors in the confined space.
- Alternate method for boiler located within confined space.* Use indoor air if two permanent openings communicate directly with additional space(s) of sufficient volume such that combined volume of all spaces meet criteria for unconfined space. Size each opening for minimum free area of 1 square inch per 1,000 Btu per hour input of all equipment in spaces, but not less than 100 square inches.
7. Ventilation Duct Louvers and Grilles. Equip outside openings with louvers to prevent entrance of rain and snow, and screens to prevent entrance of insects and rodents. Louvers and grilles must be fixed in open position or interlocked with equipment to open automatically before burner operation. Screens must not be smaller than ¼ inch mesh.

Consider the blocking effect of louvers, grilles and screens when calculating the opening size to provide the required free area. If free area of louver or grille is not known, assume wood louvers have 20-25 percent free area and metal louvers and grilles have 60-75 percent free area.
 8. For Specially Engineered Installations. The above requirements shall be permitted to be waived where special engineering, consistent with good engineering practice and approved by the authority having jurisdiction, provides an adequate supply of air for combustion, ventilation, and dilution of flue gases.

WARNING

Do not install boiler where gasoline or other flammable vapors or liquids, or sources of hydrocarbons (i.e. bleaches, cleaners, chemicals, sprays, paint removers, fabric softeners, etc.) are used or stored.

ADVERTISSEMENT

N'installez pas la chaudière là où de l'essence ou d'autres vapeurs ou liquides inflammables, ou des sources d'hydrocarbures (c'est-à-dire des agents de blanchiment, des nettoyeurs, des produits chimiques, des sprays, des décapants pour peinture, des assouplissants pour tissus, etc.) sont utilisés ou stockés.

NOTICE

Mis-sizing of the boiler with regard to the heating system load will result in excessive boiler cycling and accelerated component failure. Burnham DOES NOT warrant failures caused by mis-sized boiler applications. DO NOT oversize the boiler to the system. Modular/multiple boilers greatly reduce the likelihood of boiler oversizing.

AVIS

Un mauvais dimensionnement de la chaudière par rapport à la charge du système de chauffage entraînera un cycle excessif de la chaudière et une défaillance accélérée des composants. Burnham NE GARANTIT PAS les pannes causées par des applications de chaudières mal dimensionnées. NE PAS surdimensionner la chaudière par rapport au système. Les chaudières modulaires / multiples réduisent considérablement le risque de surdimensionnement de la chaudière.

II. Boiler Assembly

A. Remove Crate

1. Remove all fasteners at crate skid.
2. Lift outside container and remove with all other inside protective spacers and bracing.

B. Remove boiler from skid. See Figure 2. Exercise care to avoid dropping boiler.

1. Place boiler in approximate location. Refer to Section I: Pre-Installation. Remove base hold down bolts.
2. Using pry bar under rear corner of Base End Panel, raise boiler and install 1½" wood blocks under rear corners. Install ¾" pipe roller between Base and skid.
3. Remove 1½" wood blocks. Place 3" pipe roller on floor behind skid.
4. Roll boiler off skid. Move skid out of way.
5. Roll boiler until 3" roller is located as shown. Use pry bar to install wood blocks under front corners of base. Remove 3" roller.

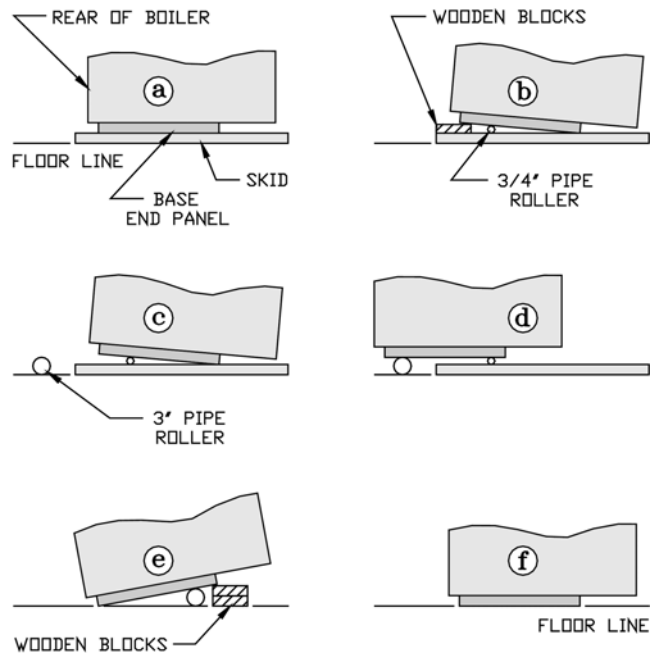


Figure 2: Skid Removal

Table 3: Purpose of Tappings

Tapping	Size	Purpose
A	2"	Supply
B	2"	Return
C	3/4"	Relief Valve
D	3/4"	Limit
E	3/4"	Auxiliary Limit
F	3/4"	Washout
G	3/4"	Drain

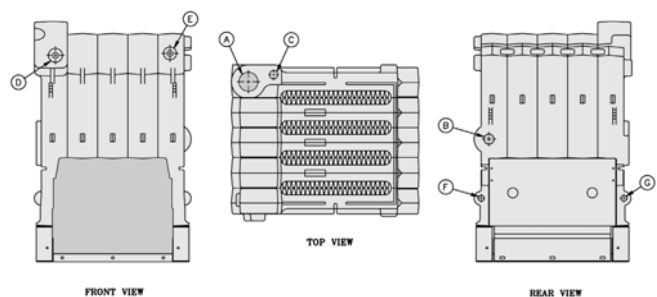


Figure 3: Tapping Locations

- Lift boiler with pry bar. Remove wood blocks.
Lower boiler.

C. For Packaged Boiler only, proceed to Paragraph E.

D. Test Section Assembly for leaks before connecting to system and installing controls, trim and jacket. Refer to Figure 3 and Table 3.

- Plug Tappings C & E (3/4 NPT) and Return Tapping B (2 NPT).
- Insert 3/4" NPT x 1/4" NPT bushing in Tapping D. Install pressure gauge capable of indicating 50 psi.
- Insert 2" NPT x 3/4" NPT bushing in Supply Tapping A. Install purge valve with a hose that runs to a drain.
- Connect fill valve and piping to Drain Tapping G.

⚠ WARNING

Do not use air to leak test boiler.

⚠ ADVERTISSEMENT

N'utilisez pas d'air pour tester la chaudière.

- Fill boiler completely with water by venting air through purge valve. Close purge valve and apply water pressure of at least 10 psi but less than 50 psi gauge pressure.
- Examine boiler for leaks or damage due to shipment or handling.
- Remove plugs from Return Tapping B, Tapping C, and Tapping E (if second limit or operating control is used). Also remove fill valve and piping, purge valve and piping, and pressure gauge.

E. Install special base if installation is on combustible flooring. See Figure 4. Floor shield adds 4 3/4" to boiler height.

- Place special base on combustible floor with surface marked "FRONT" in upward position.
- Locate special base with spacing to combustible materials as shown in Figure 4.
- Place boiler on special base. Boiler must rest inside locating brackets. Boiler jacket panels will overhang special base.
- Do not enclose boiler (including special base) on all four sides. Models 807HE may be enclosed on three sides (alcove) while maintaining clearances shown in Figure 4.

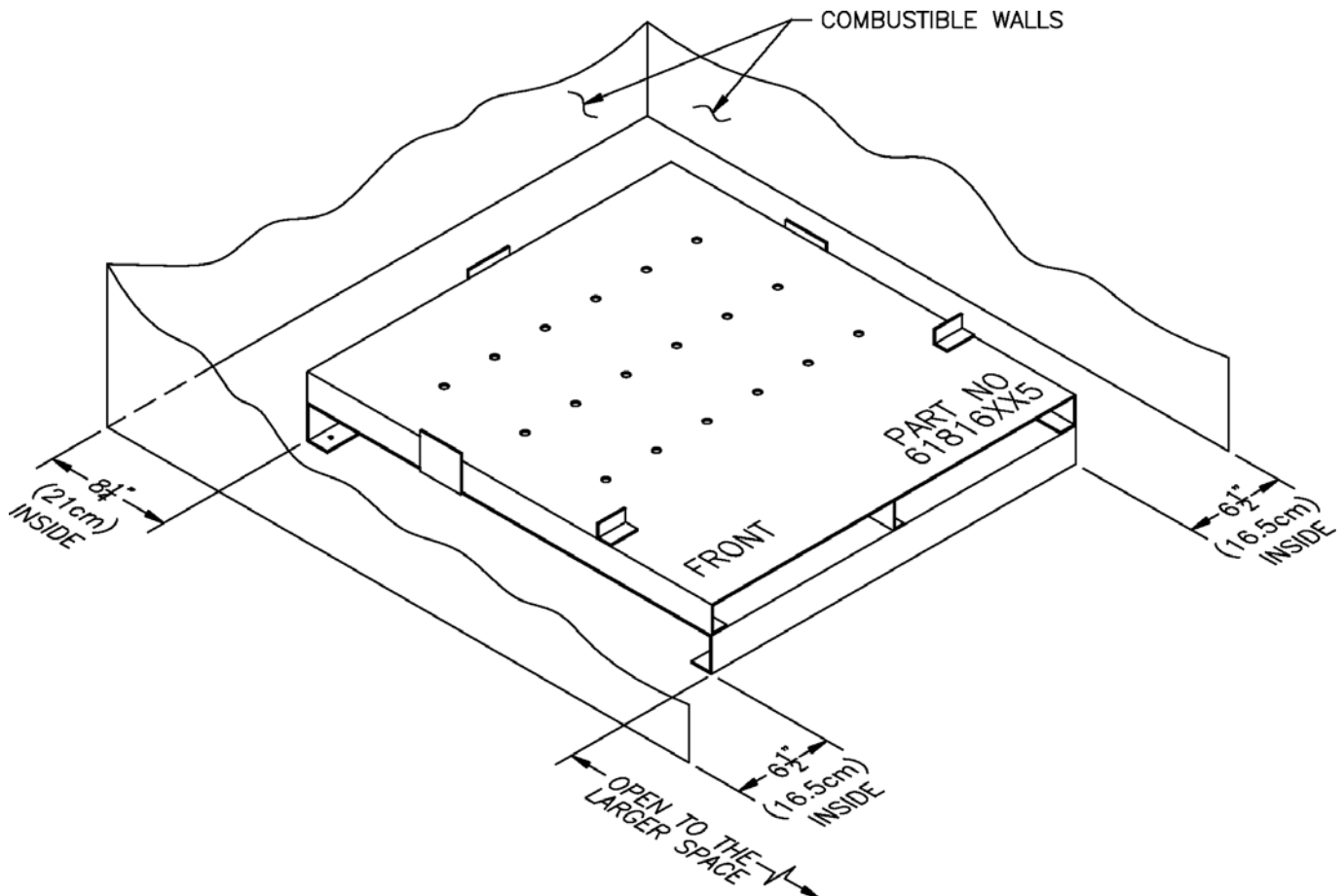


Figure 4: Installation of Special Base for Combustible Flooring

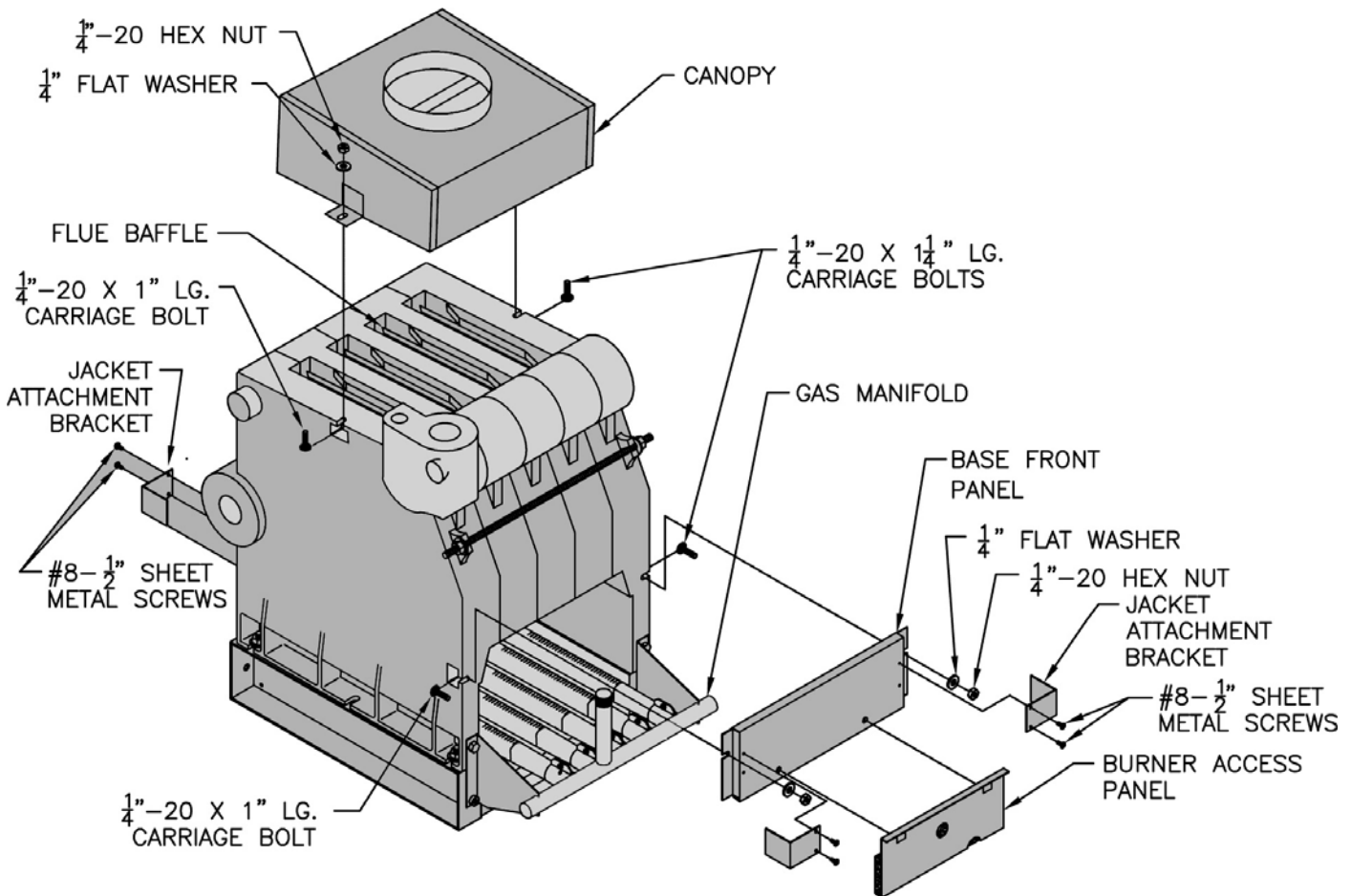


Figure 5: General Assembly (Knockdown Boilers)

F. Move boiler to permanent location by sliding or walking. Do not drop.

For Packaged Boiler, proceed to Paragraph L.

G. Confirm that one (1) Flue Baffle is properly positioned in each Boiler Flueway. Tabs at the top of each Flue Baffle should be resting on top row of Flue Pins on each adjoining section.

H. Install Canopy on section assembly. See Figure 5. Canopy and hardware are located in Combination Boiler Parts and Control Carton.

1. Position Canopy on top of Section Assembly. Locate between end sections and sealing ledge on front and back of each section.
2. Fasten each end with 1/4" - 20 x 1" carriage bolts, washers and nuts.
3. Seal between Canopy and Section Assembly with furnace cement.

I. Inspect joints between sections. They were factory sealed. If any openings resulted during shipment or handling, reseal with furnace cement. Confirm tie rods are only hand tight to allow for thermal expansion.

J. Install Base Front Panel. See Figure 5. Panel and hardware located in Combination Boiler Parts and Control Carton.

1. Attach Base Front Panel to Section Assembly using 1/4" - 20 x 1 1/4" carriage bolts, washers and nuts.
2. Seal between top of Base Front Panel and Section Assembly with furnace cement (shipped in Combination Boiler Parts and Control Carton).
3. Seal between top of Base Rear Panel and Section Assembly with furnace cement.

K. Install Pilot/Main Burner Assembly. See Figure 7. Assembly is located in Combination Boiler Parts and Control Carton. Verify assembly is properly located on support bracket in Base Rear Panel, seated on Main Burner Orifice, and secured with hitch pin clip.

L. Adjust Burner Air Shutters on all Burners. See Figure 7. (On Packaged Boilers, Front Door and Burner Access Panel(s) must be removed to make adjustments.) Distance between front edge of Burner Air Shutter and burner mounting ring should be approximately 11/16". To adjust this distance, loosen screw at top of air shutter and slide into correct position. Then tighten screw. (Replace Burner Access Panel(s) and Front Door on Packaged Boilers.)

For Packaged Boiler, proceed to Section IV: Water Trim and Piping.

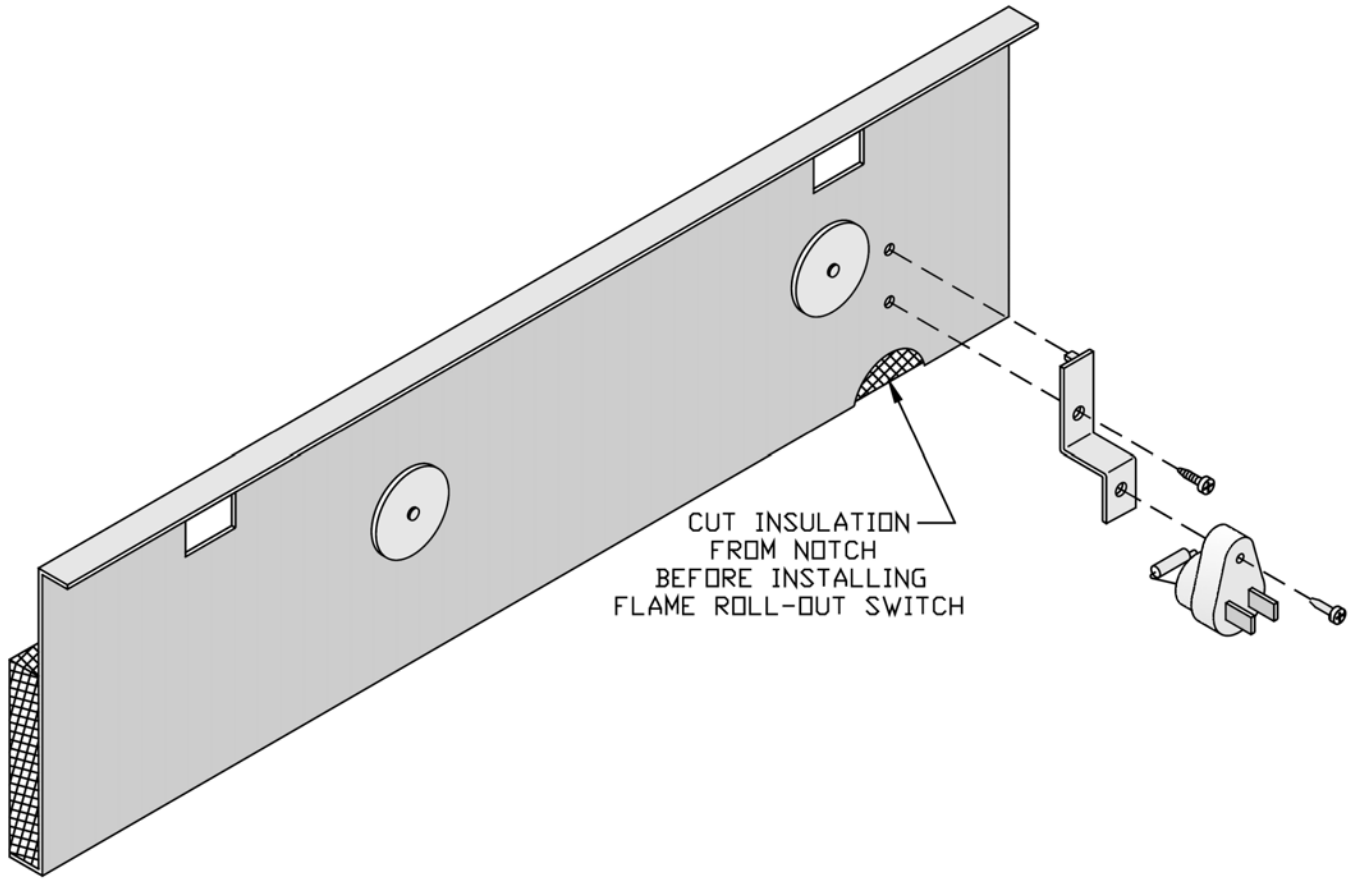


Figure 6: Flame Roll-out Switch Installation

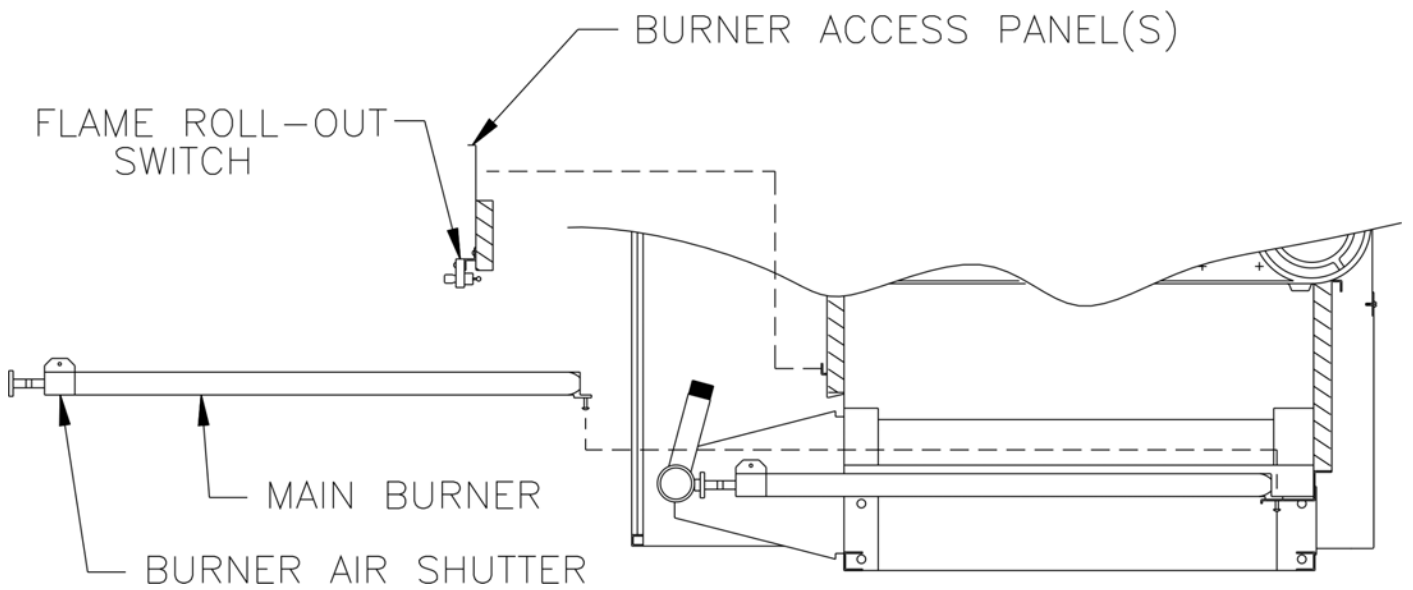


Figure 7: Burner/Burner Access Panel Installation

M. Attach Flame Roll-out Switch to Burner Access Panel. See Figure 6. Flame Roll-out Switch and hardware are located in Combination Boiler Parts and Control Carton. Flame Roll-out Switch is a single use device - do not test with heat - switch cannot be reset.

1. Cut insulation from semicircular notch at right end of the burner access panel. Models 808HE - 810HE have two (2) burner access panels. Remove insulation from notch of right side burner access panel only.
2. Attach Flame Roll-out Switch Mounting Bracket to burner access panel with (1) #8 x 1/2" lg. sheet metal screw.
3. Attach Flame Roll-out Switch to mounting bracket with (1) #8 x 3/4" lg. sheet metal screw.

N. Install Burner Access Panel(s). Locate Burner Access Panel(s) in Combination Boiler Parts and Control Carton. Engage Burner Access Panel holes with projections on Base Front Panel. See Figure 5.

O. Install Immersion Well(s).

1. Remove Immersion Well(s) from Combination Boiler Parts and Control Carton..
2. Insert Immersion Well in Tapping D. See Figure 3.
3. If second limit or operating control is used, insert immersion well in Tapping E. If vertical gas piping is to be installed inside of boiler jacket, it is recommended that second limit be installed in system piping.

P. Install Jacket. See Figure 8.

1. Locate four (4) Jacket Attachment Brackets in Combination Boiler Parts and Control Carton. Attach to Front Base Panel and Rear Base Panels with #8 sheet metal screws. See Figure 5.
2. Hang Left Side Panel and Right Side Panel onto Jacket Attachment Brackets.
3. Attach Lower Rear Panel to Left and Right Side Panels. Do not tighten sheet metal screws.
4. Attach Upper Rear Panel to Lower Rear Panel. Do not install three (3) upper screws.
5. Remove Rating Label from envelope marked "RATING LABEL ENCLOSED". Remove Combustible Clearance Label from Combination Boiler Parts and Controls Carton. Attach to Vestibule Panel in locations shown.

6. Attach Vestibule Panel to Left Side and Right Side Panels.
7. Attach Lower Front Tie Bar to Left Side and Right Side Panels.
8. Engage Upper Front Panel in slots on Left Side and Right Side Panels. Place Top Panel in position. Attach Top Panel to Left Side, Right Side and Upper Rear Panels.
9. Tighten all jacket screws.
10. Affix Lighting/Operating Instructions Label and Wiring Diagram Label to inside of Front Removable Door. Labels are located in Combination Boiler Parts and Control Carton.

Q. Install Junction Box. See Figure 8. Attach junction box to inside of Left Side Panel with 1/4" - 20 x 1/4" lg. machine screw (located in Combination Boiler Parts and Control Carton).

R. Install Limit Control. Locate limit in Combination Boiler Parts and Control Carton. Insert limit probe into left immersion well as far as possible. Tighten set screw (Model 805 uses Hydrostat 3200 - see Installation and Operating Manual packed in envelope taped to top of boiler for packaged boilers and in parts and control carton for KD boilers for set up).

S. Install Auxiliary Limit or operating control (if used). Insert control probe into right immersion well as far as possible. Tighten set screw.

T. Install Gas Control Assembly. Refer to Section III, Gas Control System Assembly (Knockdown Boilers).

U. EP System: See Figure 9.

1. Install pre-wired EP Control Cabinet Assembly to right front corner of jacket top panel.
2. Install Honeywell RM7890 Control (located in RM7890 Control Carton).
3. Remove RM7890's Dust Cover. With a pair of side cutters, carefully snip both wire leads to the brown resistor labelled "JR2" and discard it. Replace Dust Cover.
4. Install Honeywell R7847 Flame Amplifier.
5. Install heat shield.

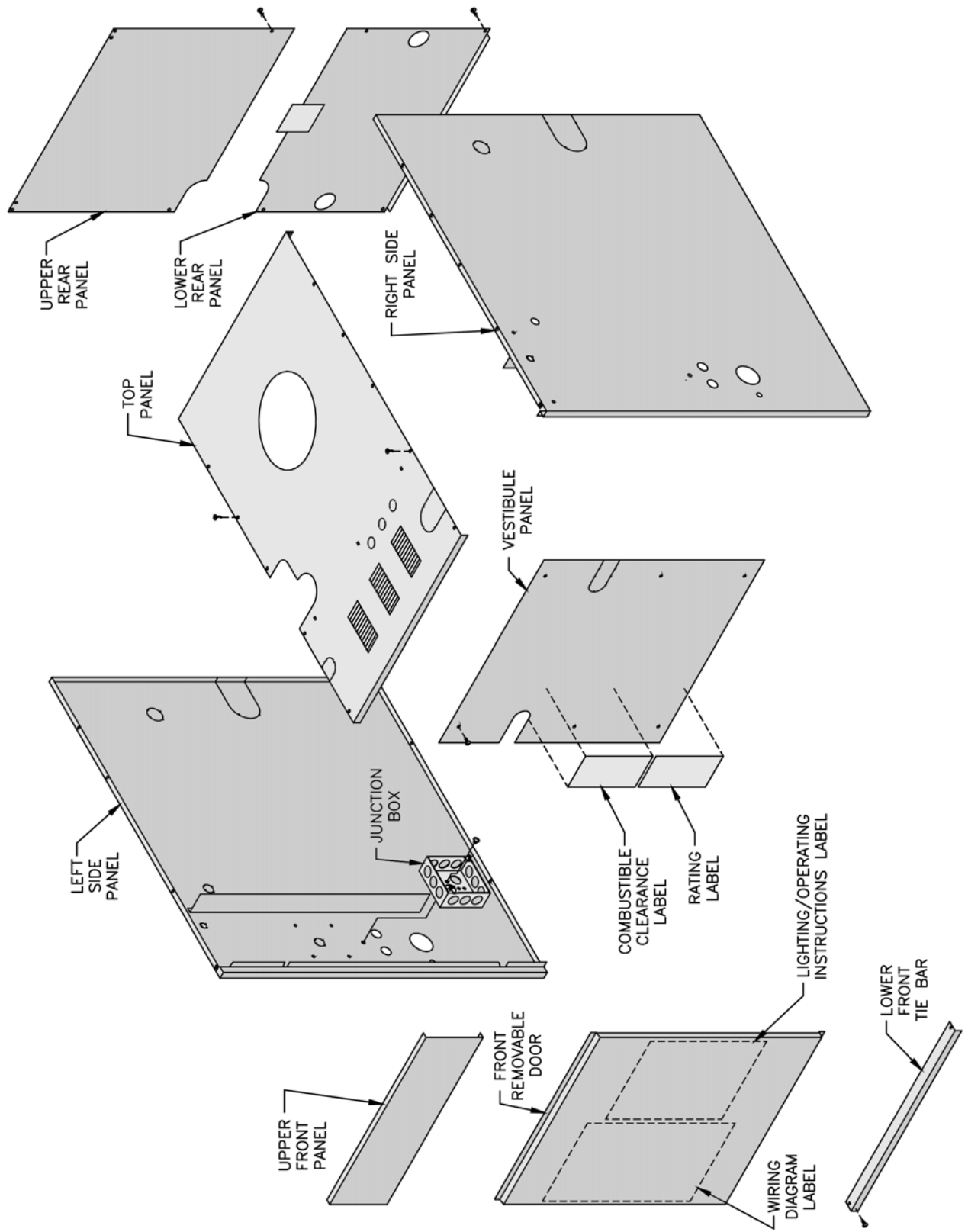


Figure 8: Jacket Assembly

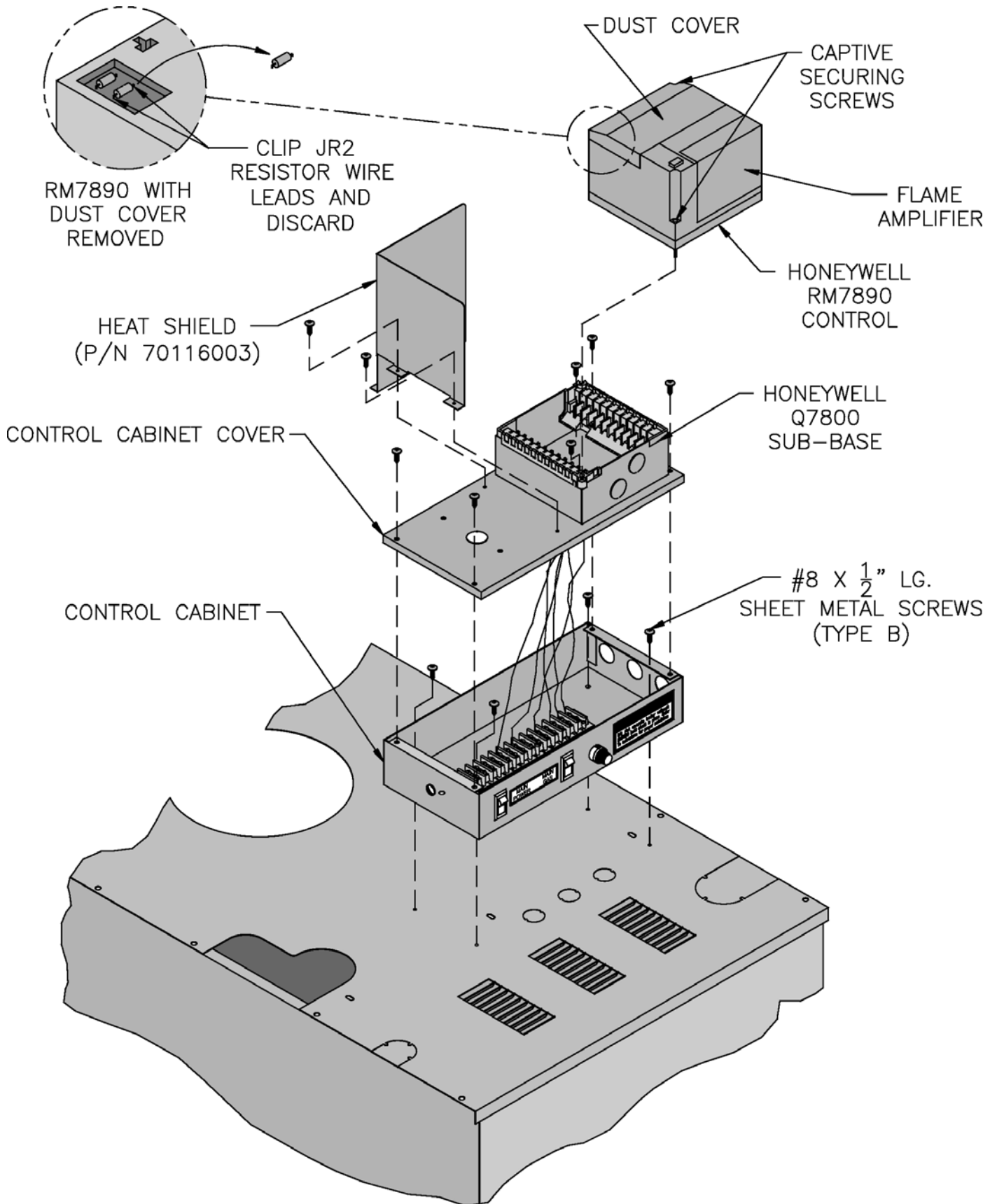


Figure 9: EP Control Installation

III. Gas Control System Assembly (Knockdown Boilers)

A. 24V Standing Pilot Control System

Install Gas Control System. All components are located in Combination Boiler Parts and Control Carton.

1. Install Gas Control Assembly on Manifold. See Figure 10. Use thread (joint) compound (pipe dope) resistant to action of liquefied petroleum gas.
2. Install pilot burner piping and controls. See Figure 10.
3. Connect Thermocouple Lead to Gas Valve.
4. Mount Transformer (continuous circulation) or Control Center (intermittent circulation) to Junction Box. See Figure 8.
 - a. Canada only - loop 4" nylon cable tie between junction box and transformer/control center.
 - b. Attach transformer/control center to junction box.

B. EI (Intermittent Ignition)

Install Gas Control System. All components are located in Combination Boiler Parts and Control Carton.

1. Install Gas Control Assembly on Manifold. See Figure 11. Use thread (joint) compound (pipe dope) resistant to action of liquefied petroleum gas.
2. Install pilot burner piping and controls.
 - a. Honeywell EI
 - i. USA - See Figure 12.
 - ii. Canada - See Figure 13.
3. Install Ignition Module.
 - a. Attach Ignition Control Mounting Bracket to Jacket Vestibule Panel using two (2) #8 x 1/2" sheet metal screws.
 - b. Attach Honeywell Ignition Module to Mounting Bracket using two (2) #8 x 1/2" sheet metal screws.
 - c. Connect pilot ground wire and ignitor/sensor lead(s) to ignition module. Refer to "Section VII: Electrical" for connection details.
4. Mount Transformer (continuous circulation) or Control Center (intermittent circulation) to Junction Box. See Figure 8.
 - a. Canada only - loop 4" nylon cable tie between junction box and transformer/control center.
 - b. Attach transformer/control center to junction box.

C. EP Control System

Install Gas Control System. All components are located in Combination Boiler Parts and Control Carton.

1. Install Gas Control Assembly on Manifold. See Figure 14.

2. Install pilot burner piping and controls. See Figure 14.
3. Install Ignition Transformer.
 - a. Attach Ignition Transformer to Jacket Vestibule Panel using (4) #8 x 1/2" lg. sheet metal Screws.
 - b. Connect the two wires from the Q3452B pilot to the RM7890 sub-base as follows:
 - c. Ground Wire (200°C) to the "12" terminal
 - d. Flame detector wire to "11" terminal (clip off quick connect terminal on black wire and strip back wire insulation).
 - e. Ignition Cable to the Secondary (High Voltage terminal of the Ignition Transformer (clip off quick connect terminal on white wire and strip back wire insulation).
4. Mount Transformer (continuous circulation) or Control Center (intermittent circulation) to Junction Box. See Figure 8.
 - a. Canada only - loop 4" nylon cable tie between junction box and transformer/control center.
 - b. Attach transformer/control center to junction box.

D. EP-CSD-1 Control System

Install Gas Control System. All components are located in Combination Boiler Parts and Control Carton.

1. Install Gas Control Assembly on Manifold. See Figure 15.
2. Install pilot burner piping and controls. See Figure 15.
3. Install Ignition Transformer.
 - a. Attach Ignition Transformer to Jacket Vestibule Panel using (4) #8 x 1/2" lg. sheet metal Screws.
 - b. Connect the two wires from the Q3452B pilot to the RM7890 sub-base as follows:
 - c. Ground Wire (200°C) to the "12" terminal
 - d. Flame detector wire to "11" terminal (clip off quick connect terminal on black wire and strip back wire insulation).
 - e. Ignition Cable to the Secondary (High Voltage terminal of the Ignition Transformer (clip off quick connect terminal on white wire and strip back wire insulation).
4. Mount Transformer (continuous circulation) or Control Center (intermittent circulation) to Junction Box. See Figure 8.
 - a. Canada only - loop 4" nylon cable tie between junction box and transformer/control center.
 - b. Attach transformer/control center to junction box.

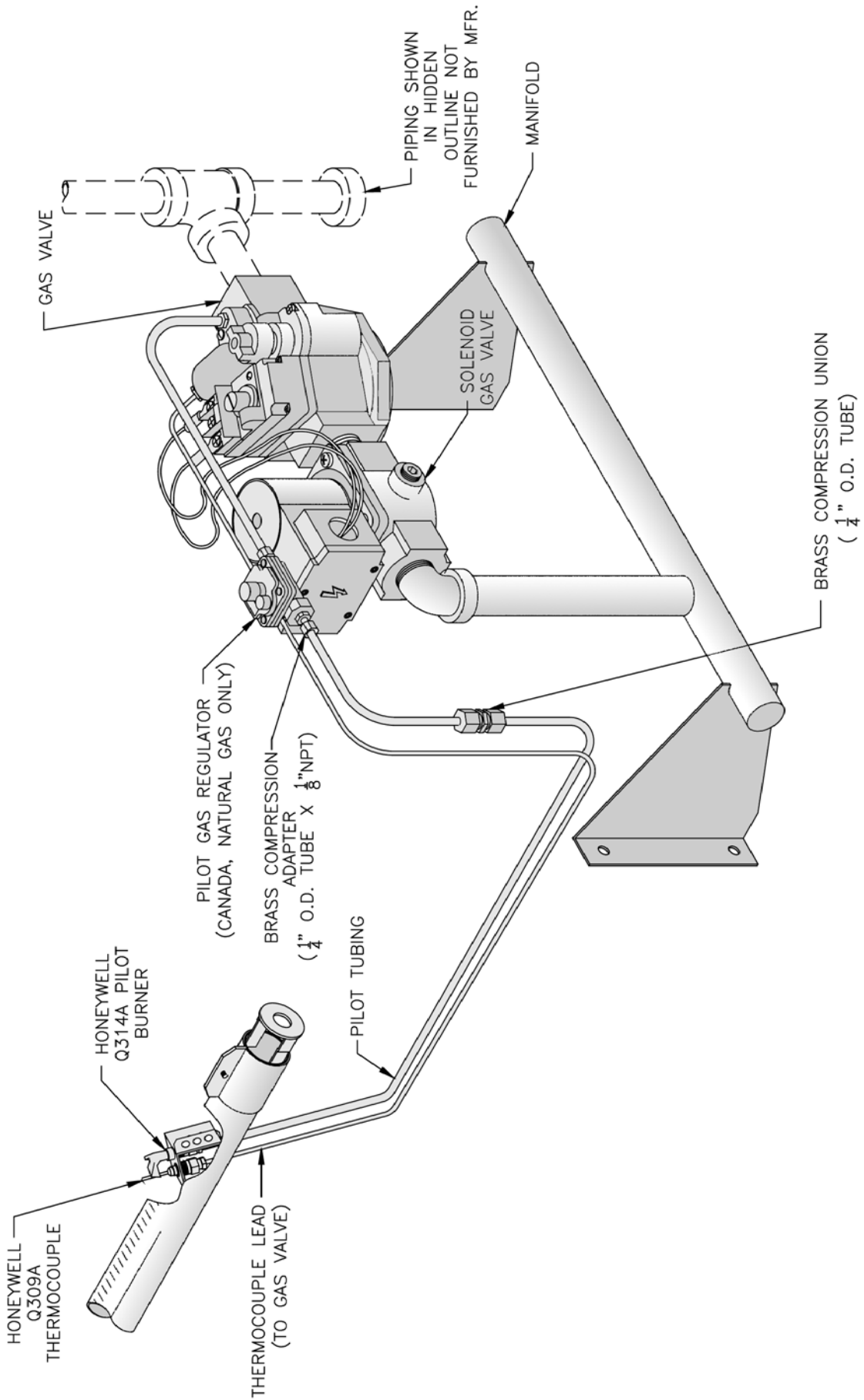


Figure 10: Schematic Gas Piping, 24V Standing Pilot, 806H - 807HE

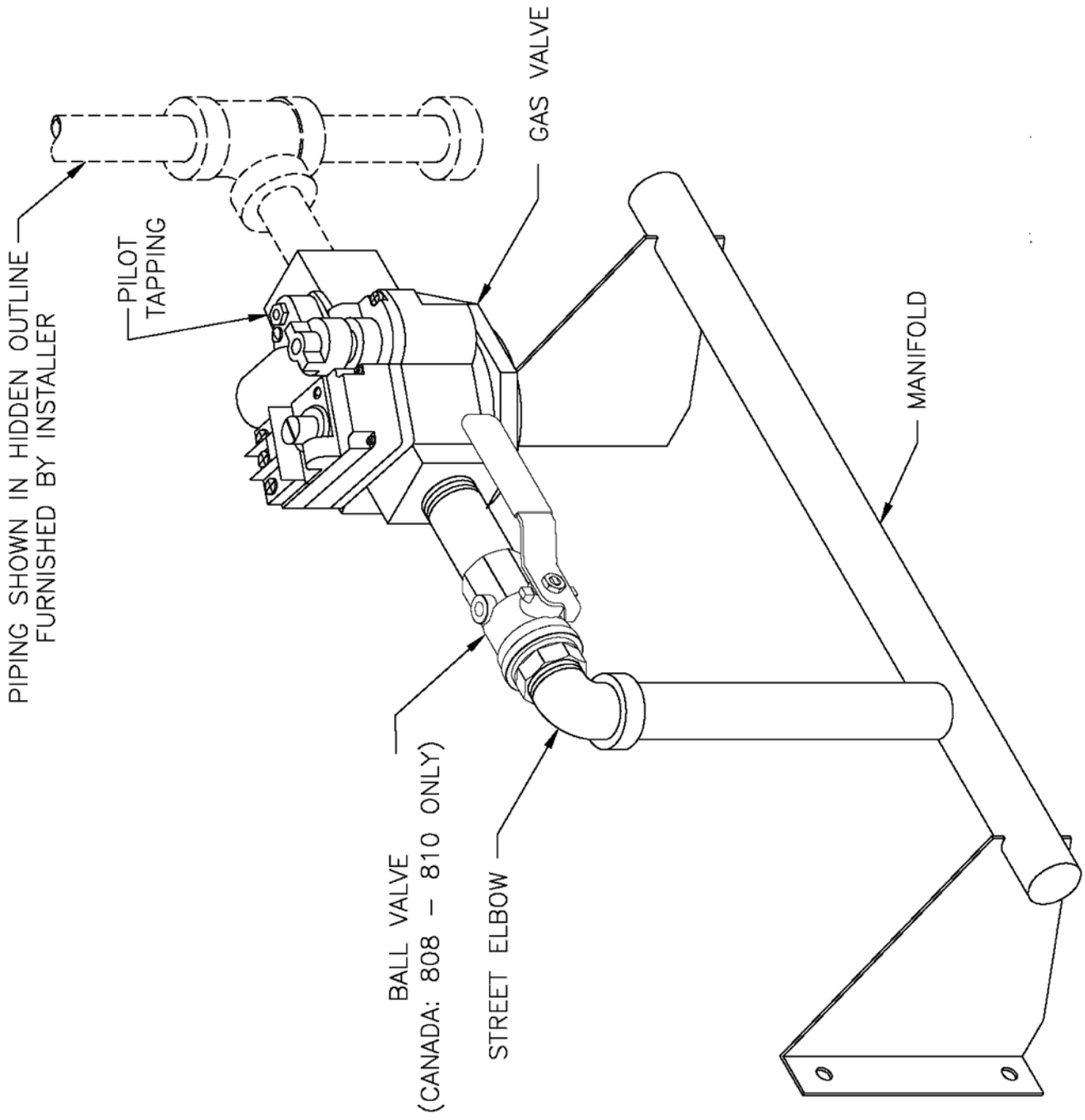


Figure 11: Main Gas Piping, Intermittent Ignition (EI)

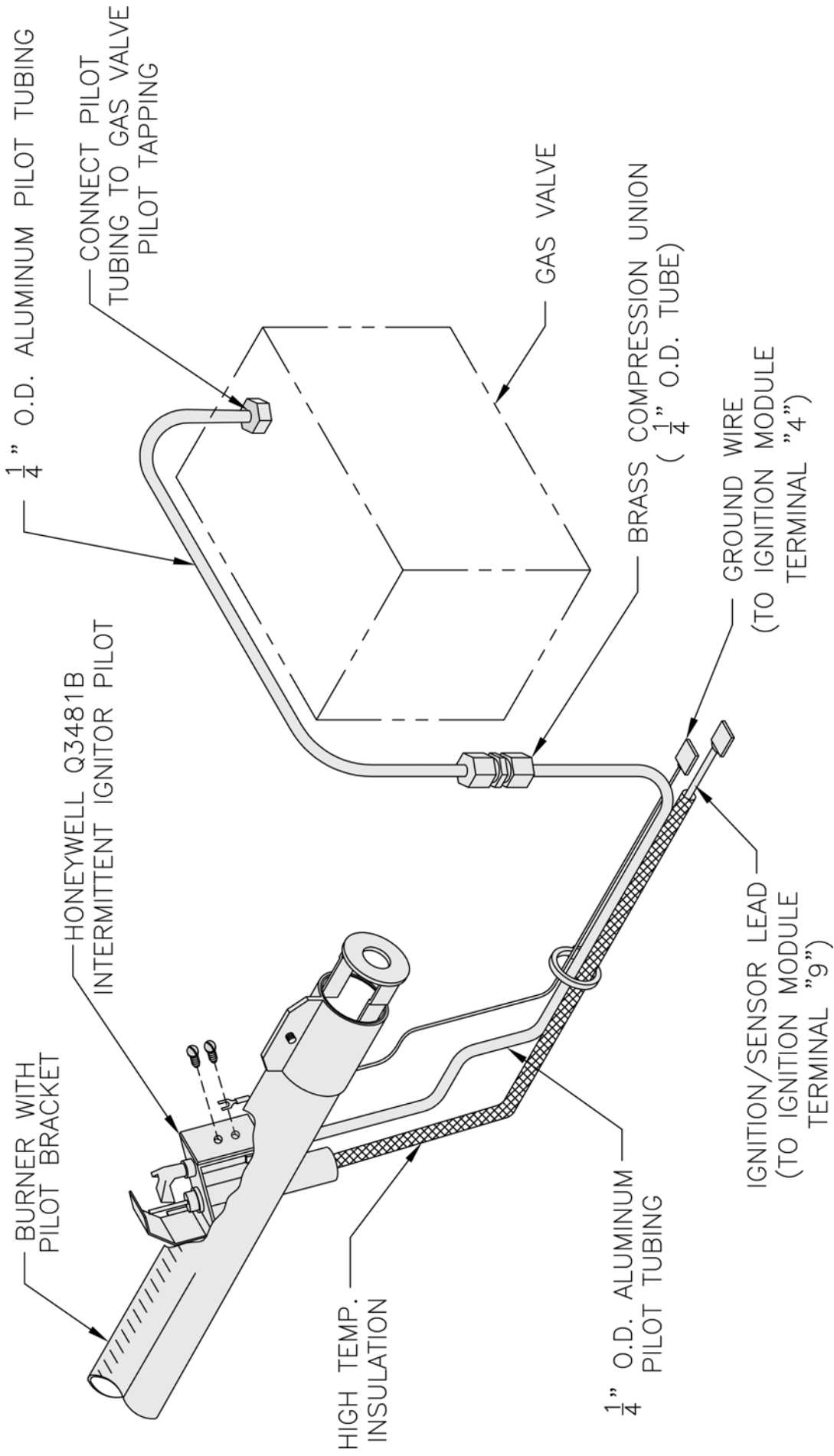
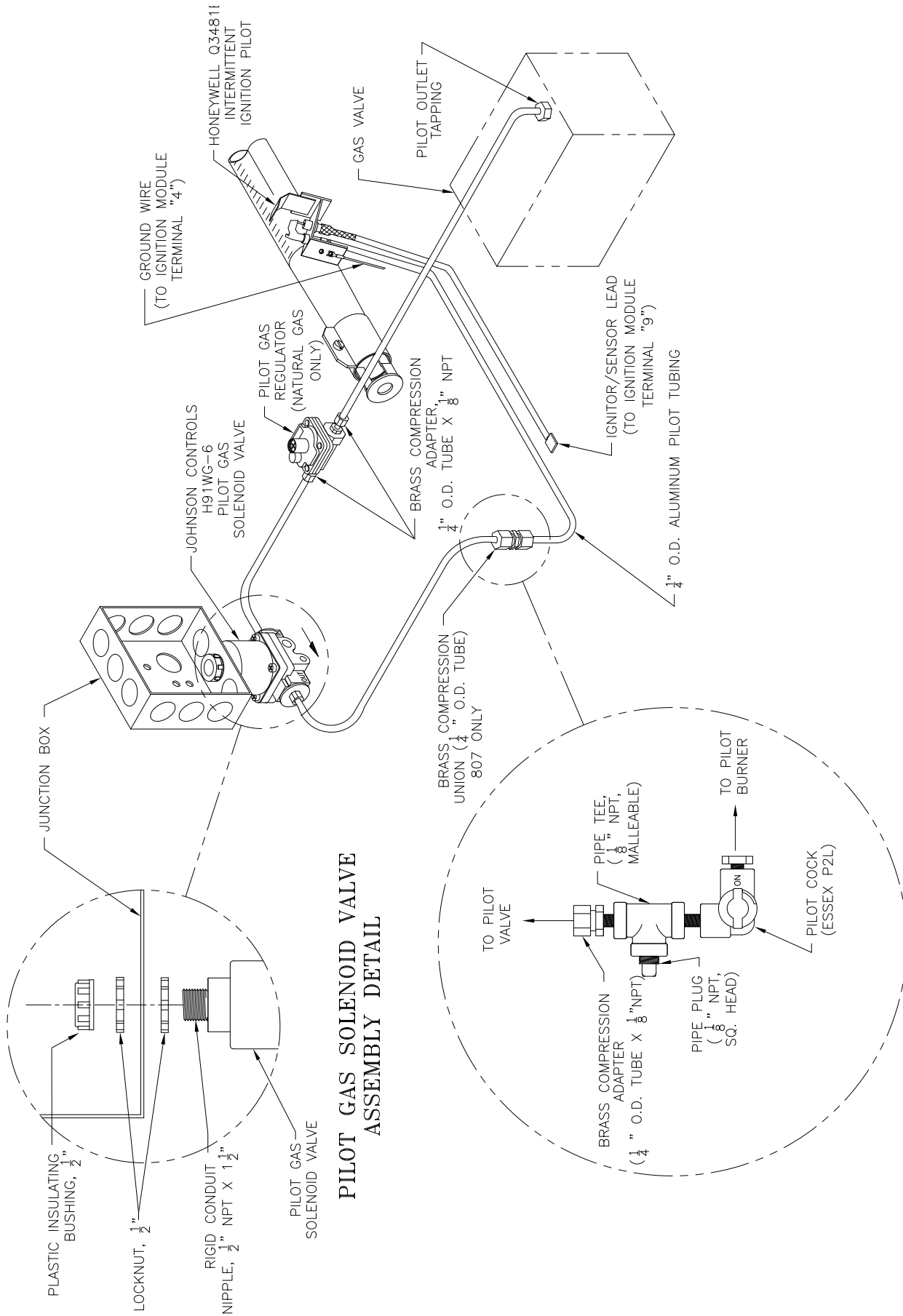
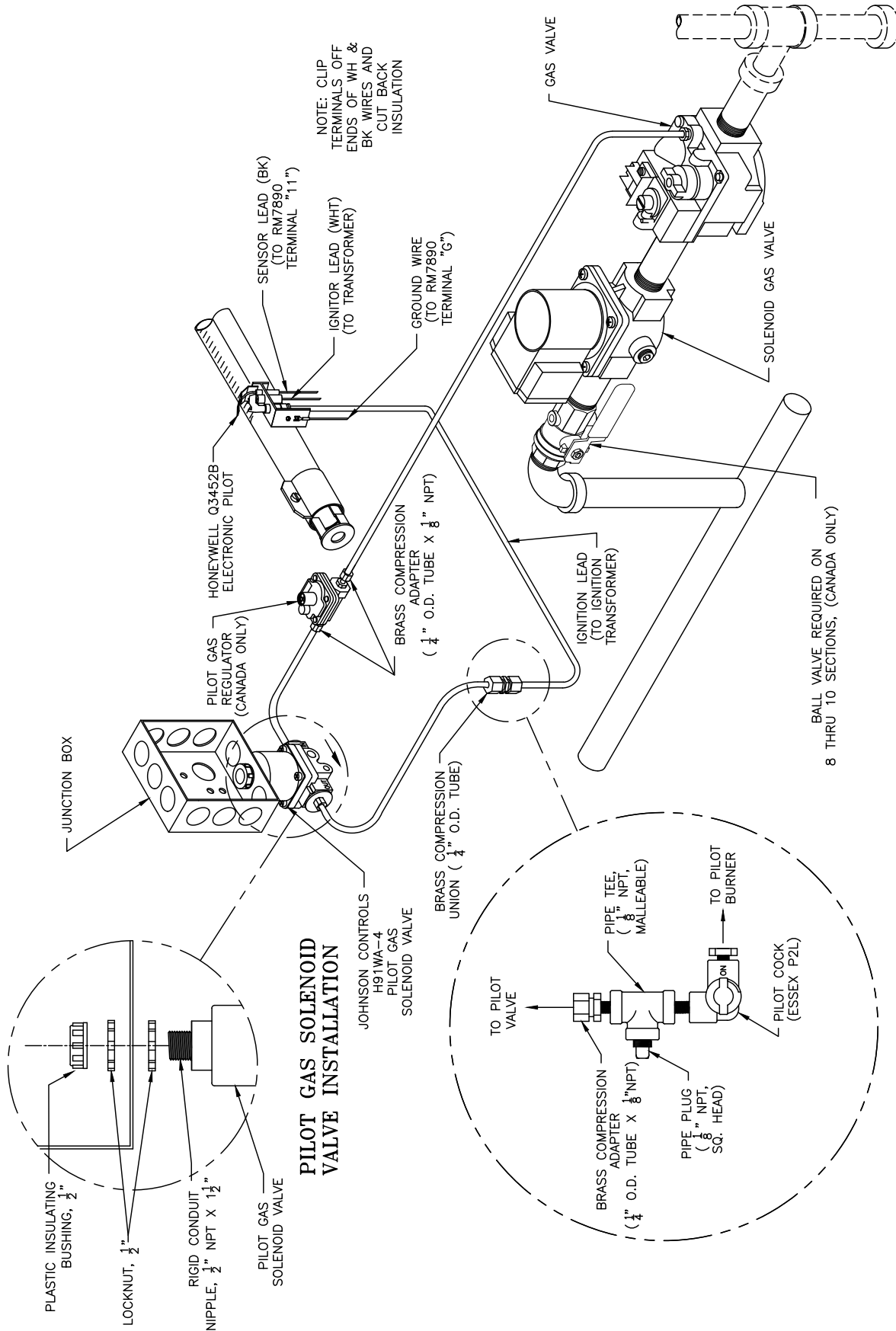


Figure 12: Schematic Pilot Piping (Honeywell EI), USA



PILOT FIRING VALVE ASSEMBLY
(REQUIRED ON 808-810 ONLY)

Figure 13: Schematic Pilot Piping (Honeywell Ei)
Canada: Natural Gas, 805H - 810HE; LP Gas, 806H - 807HE



PILOT FIRING VALVE ASSEMBLY
 (REQUIRED ON 808-810, CANADA ONLY)

Figure 14: Schematic Gas Piping, EP Control System (Natural Gas Only), 806H - 810HE

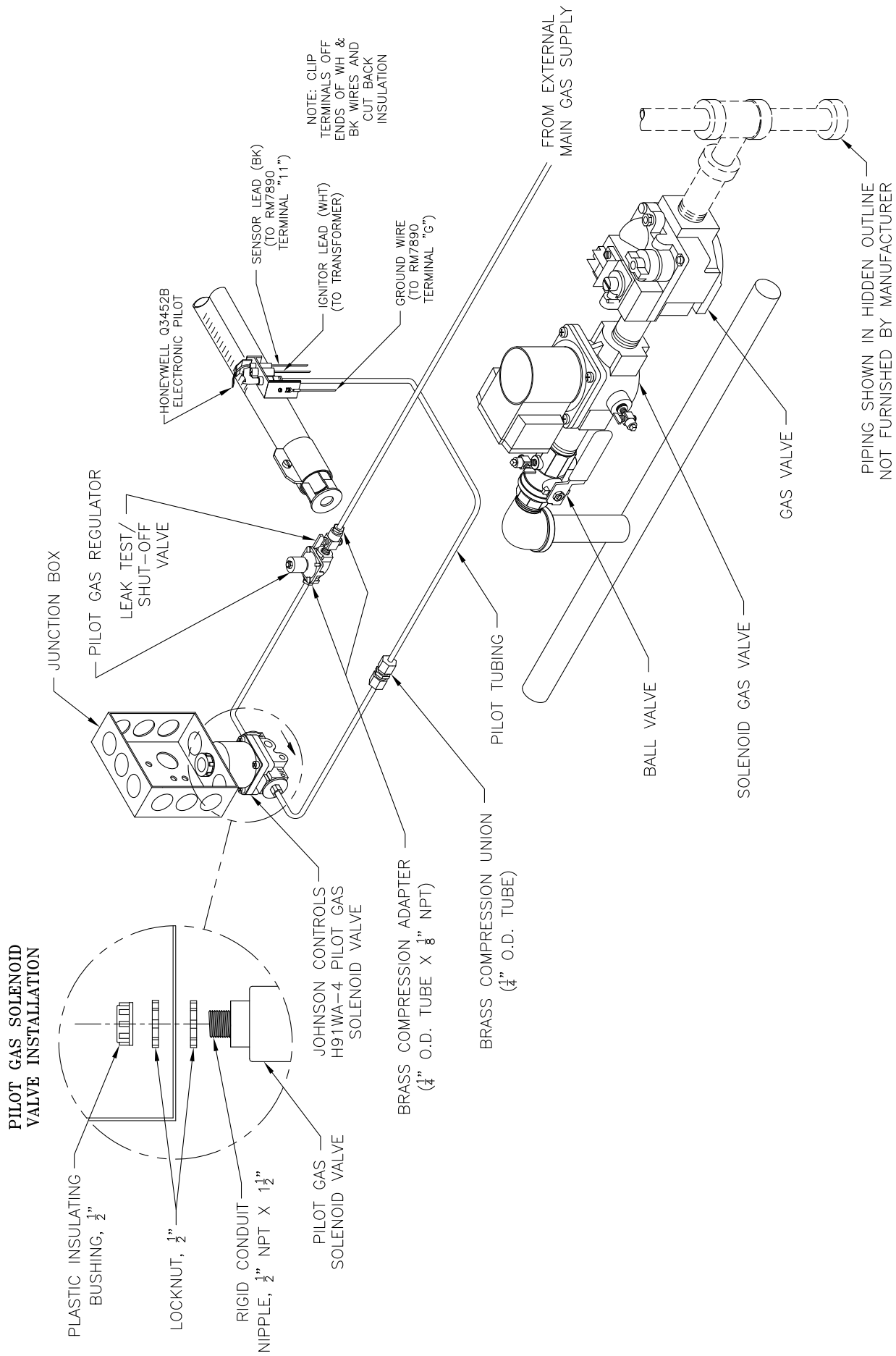


Figure 15: Schematic Gas Piping, EP-CSD-1 Control System, 808HE - 810HE

IV. Water Trim and Piping

⚠️ WARNING

Failure to properly pipe boiler may result in improper operation and damage to boiler or structure.

Oxygen contamination of boiler water will cause corrosion of iron and steel boiler components, and can lead to boiler failure. Burnham's Warranty does not cover problems caused by oxygen contamination of boiler water or scale (lime) build-up caused by frequent addition of water.

⚠️ ADVERTISSEMENT

Le fait de ne pas raccorder correctement la chaudière peut entraîner un fonctionnement incorrect et endommager la chaudière ou la structure.

La contamination par l'oxygène de l'eau de la chaudière entraînera la corrosion des composants de la chaudière en fer et en acier et peut entraîner une panne de la chaudière. La garantie de Burnham ne couvre pas les problèmes causés par la contamination par l'oxygène de l'eau de la chaudière ou par l'accumulation de tartre (calcaire) causée par l'addition fréquente d'eau.

A. Design and install boiler and system piping to prevent oxygen contamination of boiler water and frequent water additions.

1. There are many possible causes of oxygen contamination such as:
 - a. Addition of excessive make-up water as a result of system leaks.
 - b. Absorption through open tanks and fittings.
 - c. Oxygen permeable materials in the distribution system.
2. In order to insure long product life, oxygen sources must be eliminated. This can be accomplished by taking the following measures:
 - a. Repairing system leaks to eliminate the need for addition of make-up water.
 - b. Eliminating open tanks from the system.
 - c. Eliminating and/or repairing fittings which allow oxygen absorption.
 - d. Use of non-permeable materials in the distribution system.
 - e. Isolating the boiler from the system water by installing a heat exchanger.
 - f. Use properly designed and operating air elimination devices in water piping.

B. Design boiler piping and flow rate to obtain proper temperature rise through the boiler. (See Table 4)

⚠️ WARNING

Pressure relief valve discharge piping must be piped such that the potential of severe burns is eliminated. DO NOT pipe in any area where freezing could occur. DO NOT install any shut off valves, plugs or caps. Consult Local Codes for proper discharge piping arrangement.

⚠️ ADVERTISSEMENT

La tuyauterie de refoulement de la soupape de surpression doit être raccordée de manière à éliminer le risque de brûlures graves. NE PAS tuyau dans un endroit où le gel pourrait se produire. N'installez PAS de vannes d'arrêt, de bouchons ou de capuchons. Consultez les codes locaux pour la disposition appropriée de la tuyauterie de décharge.

Table 4: Flow Rate, Temperature Rise, and Pressure Drop

Boiler Model	Flow Rate (GPM)	Temp. Rise Thru Boiler	Min. Boiler Piping NPT	Boiler Pressure Drop
805H	21	20° F	1½"	3'
	14	30° F	1¼"	2'
	10	40° F	1¼"	1'
806H	26	20° F	1½"	3'
	17	30° F	1½"	2'
	13	40° F	1¼"	1'
807HE	28	20° F	2"	3'
	19	30° F	1½"	2'
	14	40° F	1¼"	1'
808HE	34	20° F	2"	3'
	22	30° F	1½"	2'
	17	40° F	1½"	1'
809HE	38	20° F	2"	3'
	25	30° F	2"	2'
	19	40° F	1½"	1'
810HE	42	20° F	2"	3'
	28	30° F	2"	2'
	21	40° F	1½"	1'

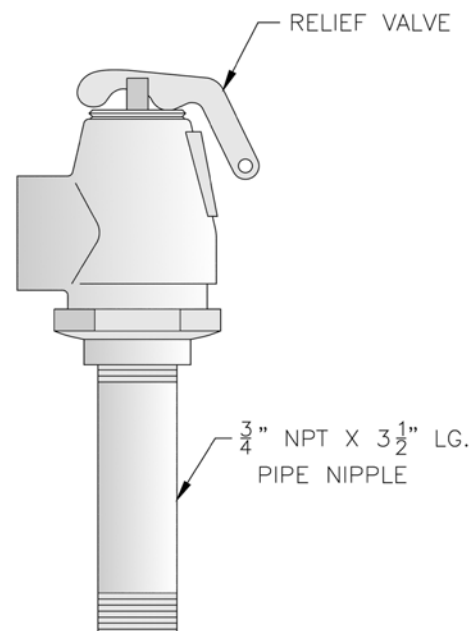


Figure 16: Safety Relief Valve Installation

C. Install Safety Relief Valve. See Figure 16.

Components are located in Water Trim Carton. Safety Relief Valve must be installed with spindle in vertical position.

1. Install $\frac{3}{4}$ " NPT x $3\frac{1}{2}$ " lg. nipple in tapping "C". See Figure 3.
2. Install safety relief valve on $\frac{3}{4}$ " NPT nipple.

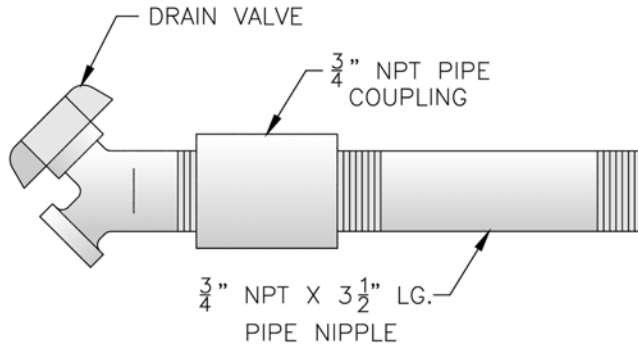


Figure 17: Drain Piping Installation

D. Install Drain Valve in rear of Left End Section, Tapping "G". See Figure 17. Components are located in Water Trim Carton.

E. Install Temperature-Pressure Gauge. Components are located in Water Trim Carton.

1. Standard Temperature - Pressure Gauge Piping. See Figure 18.

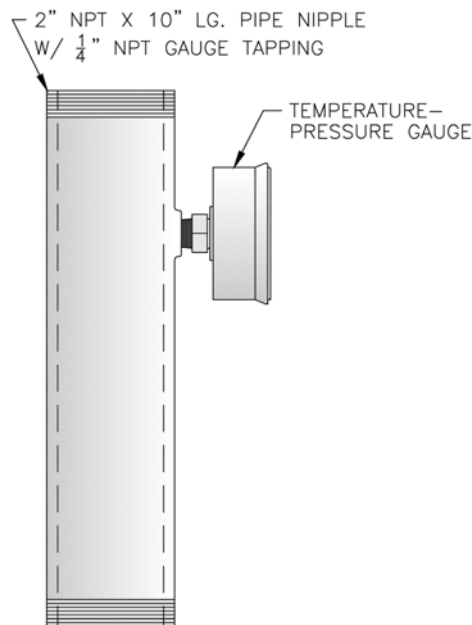


Figure 18: Temperature-Pressure Gauge Installation

- a. Install 2" NPT x 10" lg. nipple with gauge tapping into Supply Tapping "A". See Figure 3. Gauge tapping should face forward.
- b. Insert Temperature-Pressure Gauge. Tighten by applying pressure to square shank on back of gauge. **DO NOT APPLY PRESSURE ON GAUGE CASE** since this may ruin gauge calibration.

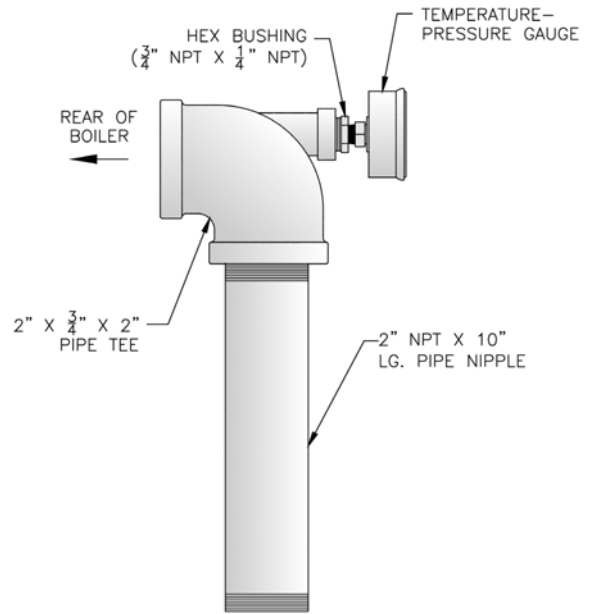


Figure 19: Alternate Temperature-Pressure Gauge Installation

2. Alternate Temperature-Pressure Gauge Piping. See Figure 19.
 - a. Install 2 NPT x 10" Nipple into Supply Tapping "A". See Figure 3.
 - b. Install 2 NPT x $\frac{3}{4}$ NPT x 2 NPT Tee (provided) or 2 NPT x 2 NPT x $\frac{3}{4}$ NPT Tee (installer furnished). $\frac{3}{4}$ NPT leg should face forward.
 - c. Install $\frac{3}{4}$ NPT x $\frac{1}{4}$ NPT Bushing.
 - d. Insert Temperature-Pressure Gauge. Tighten by applying pressure to square shank on back of gauge. **DO NOT APPLY PRESSURE ON GAUGE CASE** since this may ruin gauge calibration.

F. Connect system supply and return piping to boiler. See Figure 21. Also, consult I=B=R Installation and Piping Guide No. 250. Maintain minimum $\frac{1}{2}$ inch clearance from hot water piping to combustible materials.

1. If boiler is used in connection with refrigeration systems, boiler must be installed with chilled

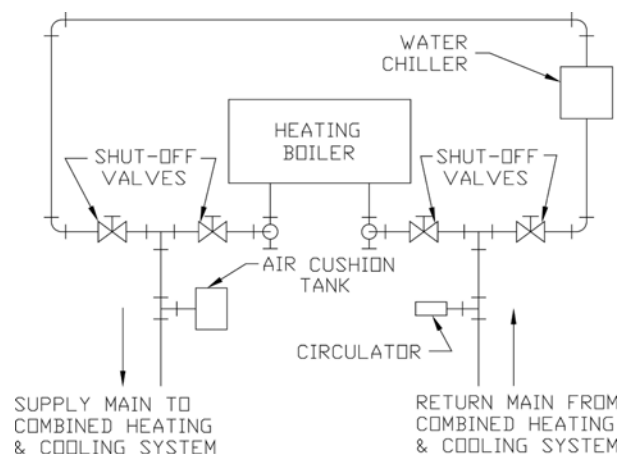


Figure 20: Recommended Piping for Combination Heating & Cooling (Refrigeration) System

medium piped in parallel with heating boiler using appropriate valves to prevent chilled medium from entering boiler. See Figure 20. Also, consult I=B=R Installation and Piping Guide No. 250.

2. If boiler is connected to heating coils located in air handling units where they may be exposed to refrigerated air, boiler piping must be equipped with flow control valves to prevent gravity circulation of boiler water during cooling system operation.
3. The piping diagrams shown (Figure 21, Detail "A" and Detail "B") are recommended for optimum operation and long term reliability.

Burnham Commercial recommends maintaining temperature differential (drop) across the system at 40°F or less, and return water temperature at minimum of 135°F.

Continued boiler operation for prolonged periods of time under conditions when temperature differential across the system exceeds 40°F and/or return water temperature stays below 135°F, may result in premature boiler failure due to flue gas condensation and/or thermal shock.

Pump flow rates and minimum boiler supply and return pipe sizes are shown in Table 4.

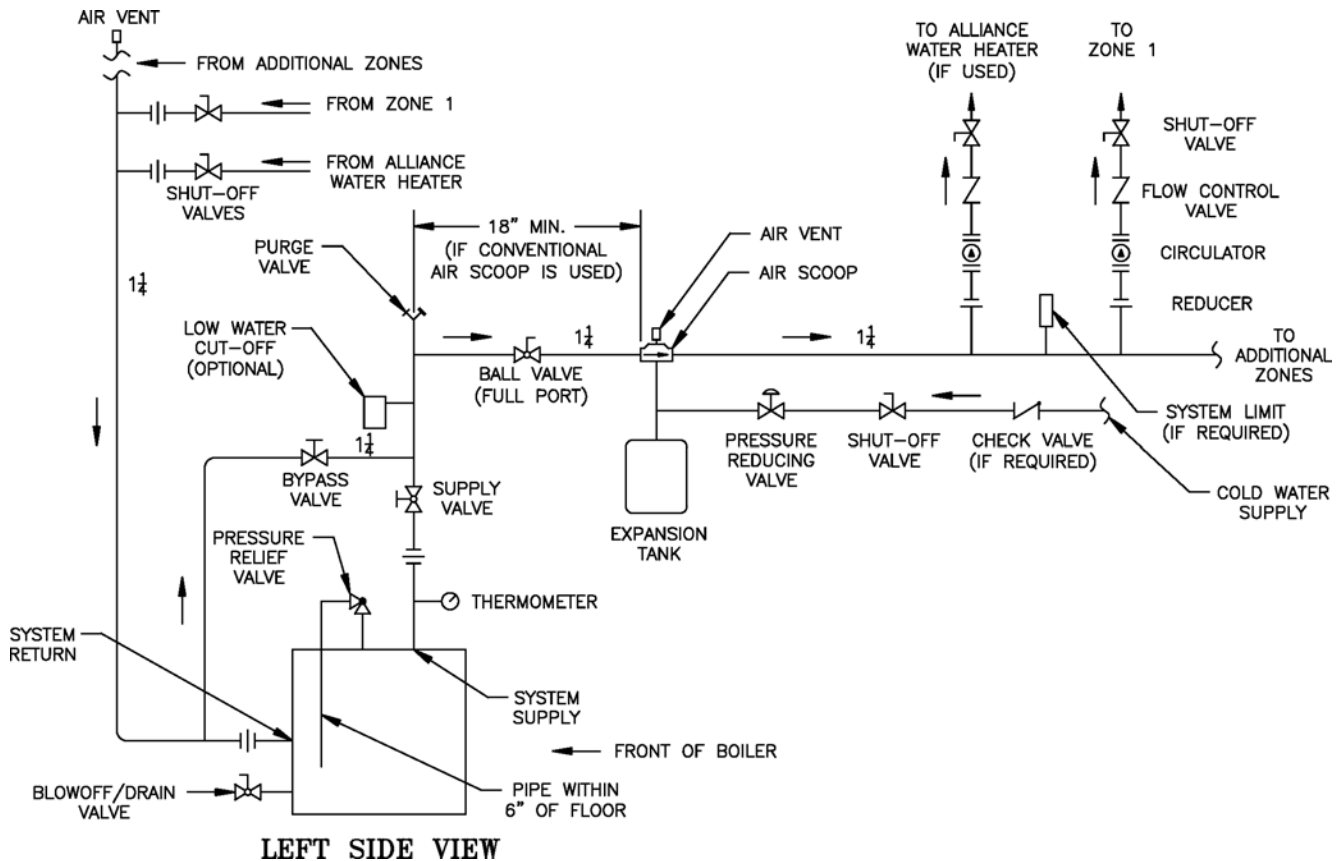
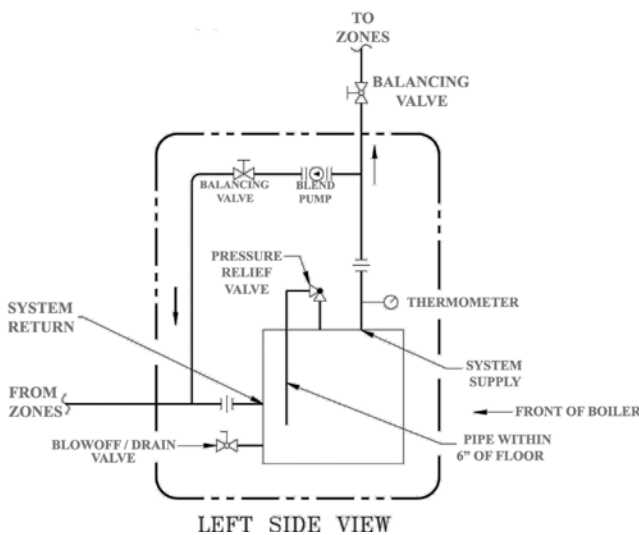
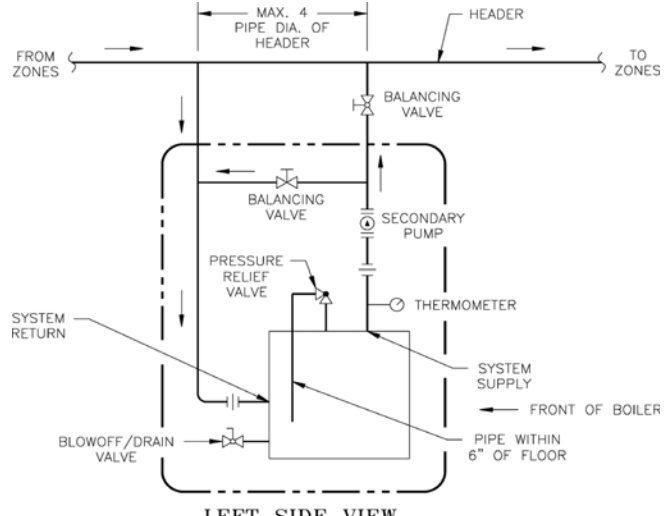


Figure 21: Recommended Boiler Piping for Circulator Zoned Heating Systems



Detail "A": Blend Pump Piping



Detail "B": Primary/Secondary Piping with By-Pass

- a. A boiler by-pass is recommended for any installation for improved system temperature balance, while serving to protect the boiler from sustained condensing operation. The by-pass also provides some measure of low return water temperature protection by reducing flow through the boiler. See Figure 21.
- b. A blend pump is recommended to divert hot supply water into the return when system return temperatures can periodically dip below 135°F or when delta T's rise beyond 40°F because of control schemes that shut off zone pumps for extended periods. See Figure 21, Detail "A".
- c. Primary/secondary piping with a by-pass is recommended to provide two points of mixing when dual temperature systems are used (i.e. baseboard and radiant heat, outdoor reset and domestic hot water production, systems incorporating night setback or multiple zone pumps on clock schedules). See Figure 21, Detail "B".
- d. If system three-way valves are used for temperature modulation, or if the system will

continuously run below 135°F for extended periods (due to low temperature applications like snow melt, heat pump systems or others), primary/secondary boiler piping with a three-way valve and return temperature sensor is recommended. Refer to Burnham RTC Return Temperature Control Manual and Tekmar Essay #021 "Mixing Methods and Sizing of Variable Speed Injection Pumps" for more information on mixing devices and boiler protection from low return water temperature.

- 4. A hot water boiler installed above radiation level must be provided with a low water cutoff device as part of installation.
- 5. A start-up strainer is recommended for all installations (new and replacement alike) to prevent system debris and sediment from ending up in the boilers where it will inhibit heat transfer and may eventually cause a cast iron section to crack from overheating.

G. Alliance SL™ Water Heater (if used). Refer to Alliance SL™ Installation, Operating and Service Instructions for additional information. Install in same manner as space heating zone.

⚠ WARNING

Burnham Commercial recommends maintaining temperature differential (drop) across the system at 40°F or less and return water temperature at minimum of 135°F.

Continued boiler operation for prolonged periods of time under conditions when temperature differential across the system exceeds 40°F and/or return water temperature stays below 135°F, may result in premature boiler failure due to flue gas condensation and/or thermal shock.

If the above conditions exist, to protect a boiler from sustained flue gas condensation and/or thermal shock, the above-recommended temperatures may be maintained by employing common industry-accepted mixing methods to provide boiler protection.

Some common methods are boiler by-pass piping, blend pumps, primary secondary piping with a by-pass, mixing valves and/or variable speed injection pumps.

⚠ ADVERTISSEMENT

Burnham Commercial recommande de maintenir la différence de température (chute) dans tout le système à 40 ° F ou moins et la température de l'eau de retour à au moins 135 ° F.

Le fonctionnement continu de la chaudière pendant des périodes prolongées dans des conditions où le différentiel de température à travers le système dépasse 40 ° F et / ou la température de l'eau de retour reste inférieure à 135 ° F, peut entraîner une défaillance prématurée de la chaudière en raison de la condensation des gaz de combustion et / ou d'un choc thermique.

Si les conditions ci-dessus existent, pour protéger une chaudière contre la condensation soutenue des gaz de combustion et / ou les chocs thermiques, les températures recommandées ci-dessus peuvent être maintenues en employant des méthodes de mélange courantes acceptées dans l'industrie pour assurer la protection de la chaudière.

Certaines méthodes courantes sont la tuyauterie de dérivation de chaudière, les pompes de mélange, la tuyauterie secondaire primaire avec une dérivation, les vannes mélangeuses et / ou les pompes d'injection à vitesse variable.

Recommended Water Quality Requirements

pH: 8.3 - 10.5

TDS: < 3500 ppm

Total alkalinity ppm as CaCO₃ : < 1200

Total copper ppm: < .05

Oily matter ppm: < -1

Total harness ppm: < -3

Chlorides: < 50 ppm

V. Gas Piping

⚠ WARNING

Failure to properly pipe gas supply to boiler may result in improper operation and damage to the boiler or structure. Always assure gas piping is absolutely leak free and of the proper size and type for the connected load. An additional gas pressure regulator may be needed. Consult gas supplier.

⚠ ADVERTISSEMENT

Le fait de ne pas raccorder correctement l'alimentation en gaz à la chaudière peut entraîner un fonctionnement incorrect et endommager la chaudière ou la structure. Assurez-vous toujours que la tuyauterie de gaz est absolument étanche et de la taille et du type appropriés pour la charge connectée. Un régulateur de pression de gaz supplémentaire peut être nécessaire. Consultez le fournisseur de gaz.

A. Size gas Piping. Design system to provide adequate gas supply to boiler. Consider these factors:

1. Allowable pressure drop from point of delivery to boiler. Maximum allowable system pressure is ½ psig. Actual point of delivery pressure may be less; contact gas supplier for additional information. Minimum allowable gas valve inlet pressure is indicated on rating label.
2. Maximum gas demand. Table 5 lists boiler input rate. Also consider existing and expected future gas utilization equipment (i.e. water heater, cooking equipment).

Table 5: Rated Input

Boiler Model	Rated Capacity (cubic feet per hour)		Gas Connection Size
	Natural	LP / Propane	
805H	252	100.8	1
806H	315	126.0	1
807HE	340	136.0	1
808HE	410	164.0	1
809HE	460	184.0	1
810HE	505	202.0	1

NOTICE

USA boilers built for installation at altitudes greater than 2,000 feet above sea level have been specially orificed to reduce gas input rate 4 percent per 1,000 feet above sea level per the National Fuel Gas Code, NFPA 54/ANSI Z223.1, Section 8.1.2 and Appendix F. Canadian boilers' orifice sizing is indicated on the rating label. High altitude boiler models are identifiable by the model number's tenth digit on the rating label. (4=2000' - 4500', 5= 2000' - 5000')

AVIS

Les chaudières américaines construites pour être installées à des altitudes supérieures à 2000 pieds au-dessus du niveau de la mer ont été spécialement conçues pour réduire le taux d'entrée de gaz de 4 pour cent par 1000 pieds au-dessus du niveau de la mer conformément au National Fuel Gas Code, NFPA 54 / ANSI Z223.1, section 8.1.2 et l'annexe F. Le dimensionnement de l'orifice des chaudières canadiennes est indiqué sur l'étiquette signalétique. Les modèles de chaudières à haute altitude sont identifiables par le dixième chiffre du numéro de modèle sur l'étiquette signalétique. (4 = 2000' - 4500', 5 = 2000' - 5000')

3. Length of piping and number of fittings. Refer to Table 6 for maximum capacity of Schedule 40 pipe. Table 7 lists equivalent length for standard fittings.

4. Specific gravity of gas. Gas piping systems for gas with a specific gravity of 0.70 or less can be sized directly from Table 6, unless authority having jurisdiction specifies a gravity factor be applied. For specific gravity greater than 0.70, apply gravity factor from Table 8. If exact specific gravity is not shown choose next higher value.

For materials or conditions other than those listed above, refer to the *National Fuel Gas Code*, NFPA 54/ANSI Z223.1 and/or CAN/CSA B149.1 Installation Codes, or size system using standard engineering methods acceptable to authority having jurisdiction.

⚠ WARNING

Failure to use proper thread compounds on all gas connectors may result in leaks of flammable gas.

⚠ ADVERTISSEMENT

Le fait de ne pas utiliser de composés de filetage appropriés sur tous les connecteurs de gaz peut entraîner des fuites de gaz inflammable.

⚠ WARNING

Gas supply to boiler and system must be absolutely shut off prior to installing or servicing boiler gas piping.

⚠ ADVERTISSEMENT

L'alimentation en gaz de la chaudière et du système doit être absolument coupée avant d'installer ou d'entretenir la tuyauterie de gaz de la chaudière.

B. Connect boiler gas valve to gas supply system.

1. Use methods and materials in accordance with local plumbing codes and requirements of gas supplier. In absence of such requirements, follow the *National Fuel Gas Code*, NFPA 54/ANSI Z223.1 and/or CAN/CSA B149.1 Installation Codes.
2. Use thread (joint) compound (pipe dope) resistant to action of liquefied petroleum gas.

Table 6: Maximum Capacity of Schedule 40 Pipe in CFH for Gas Pressures of 0.5 psig or Less

Length (Feet)	0.3 Inch w.c. Pressure Drop				0.5 Inch w.c. Pressure Drop			
	½	¾	1	1¼	½	¾	1	1¼
10	132	278	520	1,050	175	360	680	1,400
20	92	190	350	730	120	250	465	950
30	73	152	285	590	97	200	375	770
40	63	130	245	500	82	170	320	660
50	56	115	215	440	73	151	285	580
60	50	105	195	400	66	138	260	530
70	46	96	180	370	61	125	240	490
80	43	90	170	350	57	118	220	460
90	40	84	160	320	53	110	205	430
100	38	79	150	305	50	103	195	400

Table 7: Equivalent Lengths of Standard Pipe Fittings & Valves

Pipe Size	I.D. (Inches)	Valves (Fully Open)				Threaded Fittings			
		Gate	Globe	Angle	Swing Check	90° Elbow	45° Elbow	90° Tee, Flow Through Run	90° Tee, Flow Through Branch
½"	0.622	0.35	18.6	9.3	4.3	1.6	0.78	1.0	3.1
¾"	0.824	0.44	23.1	11.5	5.3	2.1	0.97	1.4	4.1
1"	1.049	0.56	29.4	14.7	6.8	2.6	1.23	1.8	5.3
1¼"	1.380	0.74	38.6	19.3	8.9	3.5	1.6	2.3	6.9

Table 8: Specific Gravity Correction Factors

Specific Gravity	Correction Factor	Specific Gravity	Correction Factor
0.50	1.10	1.30	1.07
0.55	1.04	1.40	1.04
0.60	1.00	1.50	1.00
0.65	0.96	1.60	0.97
0.70	0.93	1.70	0.94
0.75	0.90	---	---
0.80	0.87	---	---

⚠ WARNING

Do not use matches, candles, open flames, or other ignition source.

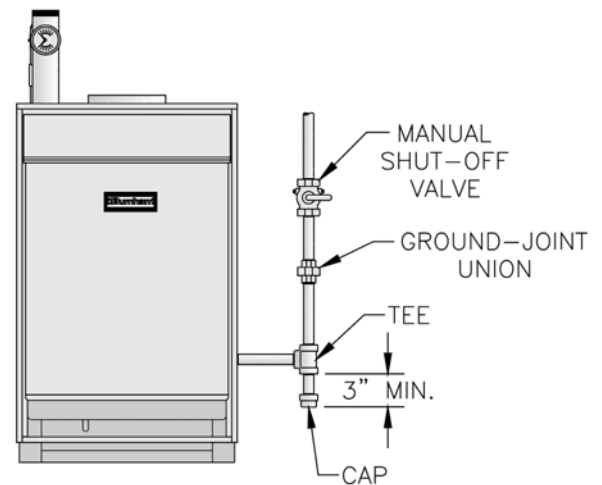
⚠ ADVERTISSEMENT

N'utilisez pas d'allumettes, de bougies, de flammes nues ou d'autres sources d'inflammation.

3. Install sediment trap, ground-joint union and manual shut-off valve upstream of boiler gas valve and outside jacket. See Figure 22.
4. All above ground gas piping upstream from manual gas valve must be electrically continuous and bonded to a grounding electrode. Do not use gas piping as a grounding electrode. Refer to the *National Electrical Code*, ANSI/NFPA 70 and/or CSA C22.1 Electrical Code.

C. Pressure Test. The boiler and its gas connection must be leak tested before placing boiler in operation.

1. Protect boiler gas valve. For all testing over ½ psig, boiler and its individual shut-off valve must be disconnected from gas supply piping. For testing at ½ psig or less, isolate boiler from gas supply piping by closing boiler's individual manual shut-off valve.
2. Locate leaks using approved combustible gas detector, soap and water, or similar nonflammable solution.



FRONT VIEW

Figure 22: Recommended Gas Piping

VI. Venting

A. Install vent system in accordance with local building codes; or local authority having jurisdiction; or *National Fuel Gas Code*, ANSI Z223.1/NFPA 54, Part 7, Venting of Equipment and/or CAN/CSA B149.1, Venting Systems and Air Supply for Appliances. Install any of the following for this Series 8HE Category I, draft hood equipped appliance:

1. Type B or Type L gas vent. Install in accordance with listing and manufacturer's instructions.
2. Masonry or metal chimney. Build and install in accordance with local building codes; or local authority having jurisdiction; or *Standard for Chimneys, Fireplaces, Vents, and Solid Fuel Burning Appliances*, ANSI/NFPA 211 and/or *National Building Code of Canada*.

Masonry chimney must be lined with approved clay flue lining or listed chimney lining system except as provided in ANSI Z223.1/NFPA 54, Paragraph 7.5.4(a): *Exception: Where permitted by the authority having jurisdiction, existing chimneys shall be permitted to have their use continued when an appliance is replaced by an appliance of similar type, input rating, and efficiency.*

3. Single wall metal vent. Allowed by ANSI Z223.1/NFPA 54 under very restrictive conditions.

B. Inspect chimney and remove any obstructions or restrictions. Clean chimney if previously used for solid or liquid fuel-burning appliances or fireplaces.

⚠ DANGER

Inspect existing chimney before installing boiler. Failure to clean or replace perforated pipe or tile lining will cause severe injury or death.

Inspectez la cheminée existante avant d'installer la chaudière. Le fait de ne pas nettoyer ou de remplacer le tuyau perforé ou le revêtement de carreaux entraînera des blessures graves ou la mort.

C. Install Draft Hood on canopy outlet. Maintain height from Jacket Top Panel to Draft Hood skirt as shown in Figure 1. **DO NOT ALTER, CUT, OR MODIFY DRAFT HOOD.**

⚠ WARNING

Do not alter boiler draft hood or place any obstruction or non-approved damper in the breeching or vent system. Flue gas spillage can occur. Unsafe boiler operation will occur.

⚠ ADVERTISSEMENT

Ne modifiez pas le capot de tirage de la chaudière et ne placez aucune obstruction ou registre non approuvé dans le système de culasse ou de ventilation. Un déversement de gaz de combustion peut se produire. Un fonctionnement dangereux de la chaudière se produira.

D. Install Blocked Vent Switch. The Blocked Vent Switch Assembly consists of a strain relief bushing, power cord, and switch attached to mounting bracket. On Packaged boilers, the assembly is shipped attached to top of boiler. On Knocked Down boilers, the assembly is located in Combination Boiler Parts and Control Carton.

1. Uncoil power cord.
2. Position mounting bracket onto lower edge of Draft Hood skirt. Locate center tooth (with #10 sheet metal screw) on outside and other two teeth inside Draft Hood skirt. See Figure 23.
3. Slide mounting bracket tight against lower edge of Draft Hood skirt. Position #10 sheet metal screw above skirt's stiffening rib.
4. Secure bracket in position by tightening #10 sheet metal screw against outer surface of Draft Hood skirt.
5. Insert excess power cord through Jacket Right Side Panel hole. Remove slack.
6. Position strain relief bushing around power cord. Pinch bushing's two halves together and snap back into hole in Jacket Right Side Panel.
7. Verify power cord, mounting bracket, and Blocked Vent Switch are secure and located as shown in Figure 23.

⚠ WARNING

Do not operate boiler without Blocked Vent Switch Properly installed.

⚠ ADVERTISSEMENT

Ne pas faire fonctionner la chaudière sans interrupteur de ventilation bloqué correctement installé.

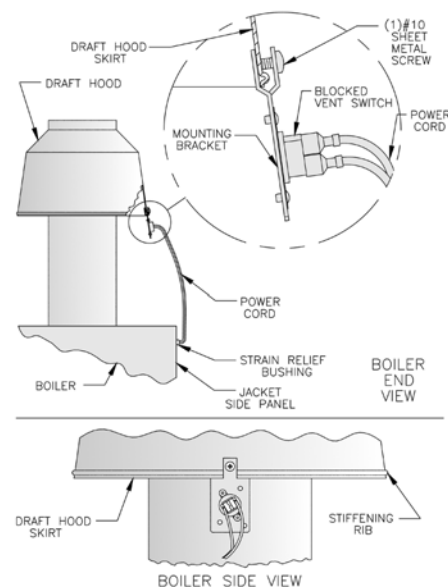


Figure 23: Blocked Vent Switch Installation

E. Boiler Equipped With Vent Damper. See Figure 24.

1. Open Vent Damper Carton and remove Installation Instructions. Read Installation Instructions thoroughly before proceeding.

⚠ CAUTION

Do not use one vent damper to control two or more heating appliances.

⚠ ATTENTION

N'utilisez pas un registre de ventilation pour contrôler deux appareils de chauffage ou plus.

2. Vent damper must be same size as draft hood outlet. See Figure 1. Unpack vent damper carefully. Forcing vent damper open or closed may damage gear train and void warranty. Vent damper assembly includes pre-wired connection harness with polarized plug.
3. Mount vent damper assembly on draft hood without modification to either (Refer to instructions packed with vent damper for specific instructions). Vent damper position indicator to be visible to users.

⚠ WARNING

Provide adequate clearance for servicing - provide 6" minimum clearance between damper and combustible construction.

⚠ ADVERTISSEMENT

Fournir un dégagement adéquat pour l'entretien - prévoir un dégagement minimum de 6 po entre le registre et la construction combustible.

F. Install Vent Connector from draft hood or vent damper to chimney. See Figure 25.

1. Do not connect into same leg of chimney serving an open fireplace.
2. Where two or more appliances vent into a common vent, the area of the common vent should at least equal the area of the largest vent plus 50 % of the area of the additional vents. Do not connect the vent of this appliance into any portion of mechanical draft system operating under positive pressure.
3. Vent connector should have the greatest possible initial rise above the draft hood consistent with the head room available and the required clearance from adjacent combustible building structure.
4. Install vent connector above bottom of chimney to prevent blockage - inspect chimney for obstructions or restrictions and remove - clean chimney if necessary.
5. Vent connector should slope upward from draft hood to chimney not less than one inch in four feet. No portion of vent connector should run downward or have dips or sags. Vent connector must be securely supported.
6. Use thimble where vent connector enters masonry chimney - keep vent connector flush with inside of flue liner.
7. Do not install Non-listed (AGA, CGA, CSA, ETL, or UL) vent damper or other obstruction in vent pipe.
8. Locate Boiler as close to Chimney as possible consistent with necessary clearances. See Section I: Pre-Installation.

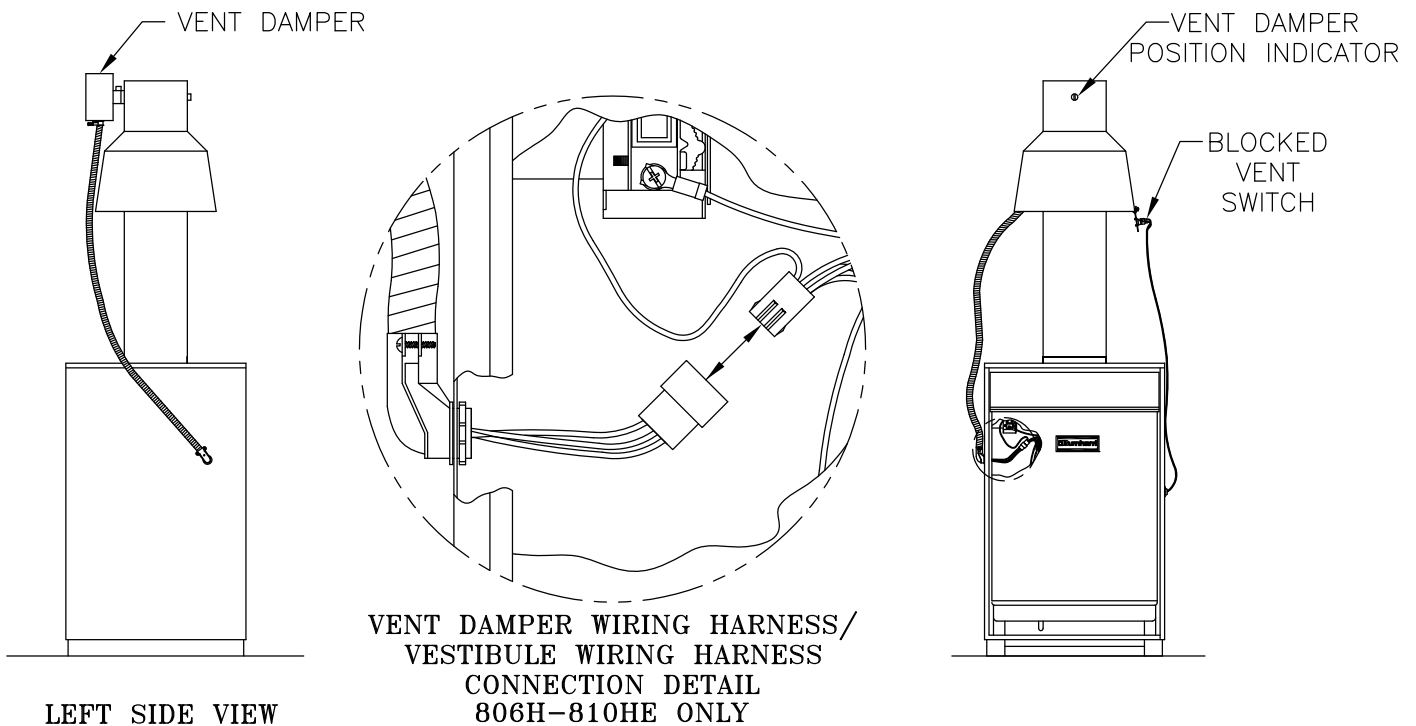


Figure 24: Vent Damper Installation

9. Design vent system for sea level input.
10. Provide adequate ventilation of Boiler Room. See Section I: Pre-Installation.
11. Never pass any portion of vent system through a circulating air duct or plenum.

⚠ WARNING

When an existing boiler is removed from a common venting system, the common venting system is likely to be too large for proper venting of the appliances remaining connected to it.

⚠ ADVERTISSEMENT

Lorsqu'une chaudière existante est retirée d'un système de ventilation commun, le système de ventilation commun est susceptible d'être trop grand pour une ventilation adéquate des appareils qui y restent connectés.

G. If an Existing Boiler is Removed:

At the time of removal of an existing boiler, the following steps shall be followed with each appliance remaining connected to the common venting system placed in operation, while the other appliances remaining connected to the common venting system are not in operation:

1. Seal any unused openings in the common venting system.
2. Visually inspect the venting system for proper size and horizontal pitch and determine there is no blockage or restriction, leakage, corrosion, or other deficiencies which could cause an unsafe condition.

3. Insofar as is practical, close all building doors and windows and all doors between the space in which the appliances remaining connected to the common venting system are located and other spaces of the building. Turn on clothes dryers and any appliance not connected to the common venting system. Turn on any exhaust fans, such as range-hoods and bathroom exhausts, so they will operate at maximum speed. Do not operate a summer exhaust fan. Close fireplace dampers.
4. Place in operation the appliance being inspected. Follow the Lighting (or Operating) Instructions. Adjust thermostat so appliance will operate continuously.
5. Test for spillage at the draft hood relief opening after 5 minutes of main burner operation. Use the flame of a match or candle, or smoke from a cigarette, cigar or pipe.
6. After it has been determined that each appliance remaining connected to the common venting system properly vents when tested as outlined above, return doors, windows, exhaust fans, fireplace dampers and any other gas-burning appliance to their previous condition of use.
7. Any improper operation of the common venting system should be corrected so the installation conforms with the *National Fuel Gas Code*, NFPA 54/ANSI Z223.1. When resizing any portion of the common venting system, the common venting system should be resized to approach the minimum size as determined using the appropriate tables in Part 7 and Part 11 in the *National Fuel Gas Code*, NFPA 54/ANSI Z223.1.

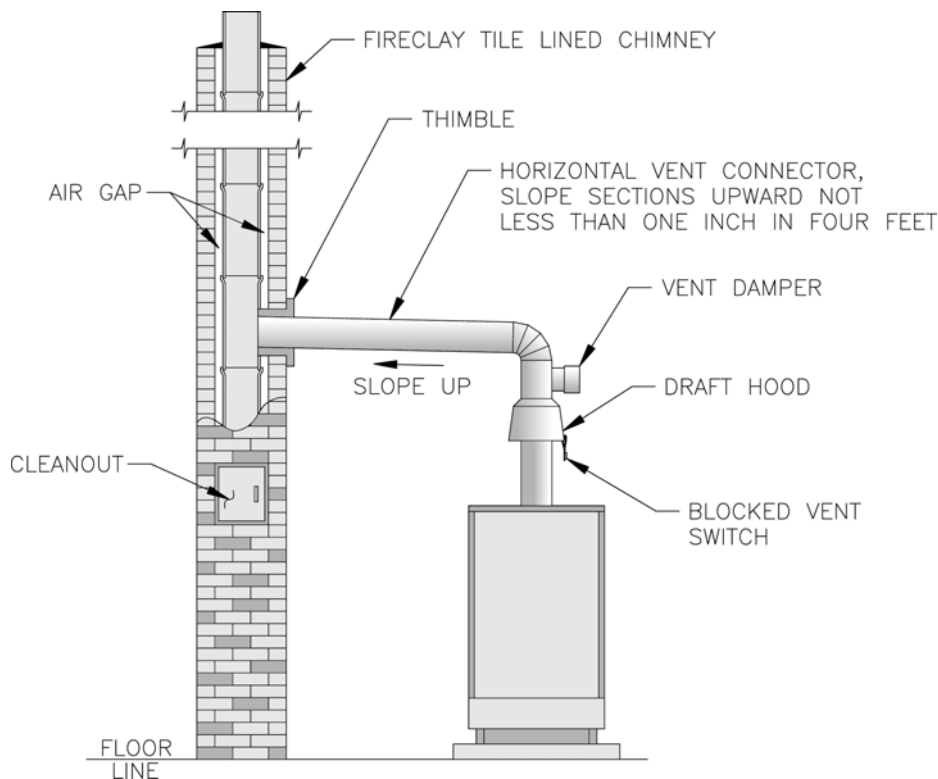


Figure 25: Typical Vent System

VII. Electrical

⚠ DANGER

Positively assure all electrical connections are unpowered before attempting installation or service of electrical components or connections of the boiler or building. Lock out all electrical boxes with padlock once power is turned off.

⚠ DANGER

Assurez-vous que toutes les connexions électriques ne sont pas alimentées avant de tenter l'installation ou l'entretien des composants électriques ou des connexions de la chaudière ou du bâtiment. Verrouillez tous les boîtiers électriques avec un cadenas une fois l'alimentation coupée.

⚠ WARNING

Failure to properly wire electrical connections to the boiler may result in serious physical harm.

Electrical power may be from more than one source. Make sure all power is off before attempting any electrical work.

Each boiler must be protected with a properly sized fused disconnect.

Never jump out or make inoperative any safety or operating controls.

The wiring diagrams contained in this manual are for reference purposes only. Each boiler is shipped with a wiring diagram attached to the front door. Refer to this diagram and the wiring diagram of any controls used with the boiler. Read, understand and follow all wiring instructions supplied with the controls.

⚠ ADVERTISSEMENT

Le fait de ne pas câbler correctement les connexions électriques à la chaudière peut entraîner de graves blessures physiques.

L'énergie électrique peut provenir de plus d'une source. Assurez-vous que toute alimentation est coupée avant de tenter tout travail électrique.

Chaque chaudière doit être protégée par un sectionneur à fusible correctement dimensionné.

Ne sautez jamais et ne désactivez jamais les commandes de sécurité ou de fonctionnement.

Les schémas de câblage contenus dans ce manuel sont fournis à titre indicatif uniquement. Chaque chaudière est expédiée avec un schéma de câblage attaché à la porte avant. Reportez-vous à ce schéma et au schéma de câblage de toutes les commandes utilisées avec la chaudière. Lisez, comprenez et suivez toutes les instructions de câblage fournies avec les commandes.

A. Install Boiler Wiring

1. Knockdown boilers only. Locate wiring harnesses in Combination Boiler Parts and Control Carton. Refer to Table 10 and connect wiring as shown on the appropriate wiring diagram.
2. Connect supply wiring and electrically ground boiler in accordance with requirements of authority having jurisdiction, or in absence of such requirements the *National Electrical Code*, ANSI/NFPA 70 and/or CSA C22.1 Electrical Code.

B. Wire Vent Damper (if used; optional on 806H - 810HE). See Figure 24. Vent damper harness for 805 plugs directly into Hydrostat 3200.

NOTE: Once vent damper is connected to Hydrostat 3200, control will not operate without it plugged in.

1. Attach Vent Damper Harness to mounting hole in Jacket Left Side Panel. Install Cable Clamp around flexible conduit and attach to Jacket Top Panel.

2. Remove factory installed Jumper Plug from Vent Damper Receptacle on Vestibule Wiring Harness and discard.
3. Plug Vent Damper Harness Plug into Vent Damper Receptacle. See Figure 24.

C. Install thermostat. Locate on inside wall approximately 4 feet above floor. Do not install on outside wall, near fireplace, or where influenced by drafts or restricted air flow, hot or cold pipes, lighting fixtures, television, or sunlight. Allow free air movement by avoiding placement of furniture near thermostat.

Set heat anticipator to match control system requirements. Refer to Table 9.

D. Wire thermostat. Provide Class II circuit between thermostat and boiler. Refer to appropriate wiring diagram for control system being used.

E. Alliance SL™ Water Heater (if used). May be used with Intermittent Circulation only.

Refer to *Alliance SL™ Installation, Operating and Service Instructions* for wiring, piping and additional information.

F. Vent Damper Sequence of Operation. See Figure 26 for schematic wiring diagram (806H - 810HE).

1. The Vent Damper is continuously powered at Terminal 1.
2. When there is a call for heat, the damper relay coil is energized through Terminal 5 if all limits ahead of the damper are satisfied.
3. The relay coil closes contacts which energize the damper motor, causing the damper to open.
4. When the damper blade reaches the fully open position, power is sent back to the ignition circuit through Terminal 2 and the damper motor is de-energized.

5. When the call for heat is satisfied, the damper relay coil is de-energized - closing contacts which energize the damper motor. This causes the damper to close. When the damper blade reaches the fully closed position, the damper motor is de-energized.

POWER FAILURE - The damper blade will stop in the position it was in when power failed. (Combustion can never take place unless the damper blade is in the fully open position).

6. For Model 805, vent damper is connected directly to Hydrostat 3200. Once vent damper is plugged in, Hydrostat 3200 will not run without it.

G. Sequence of Operation and Wiring. Refer to Table 10 for the appropriate control system.

H. Optional Low-Water Cut-Off Wiring. See Figures 36 through 39. For Model 805, use special Hydrostat Well, part number 105203-01.

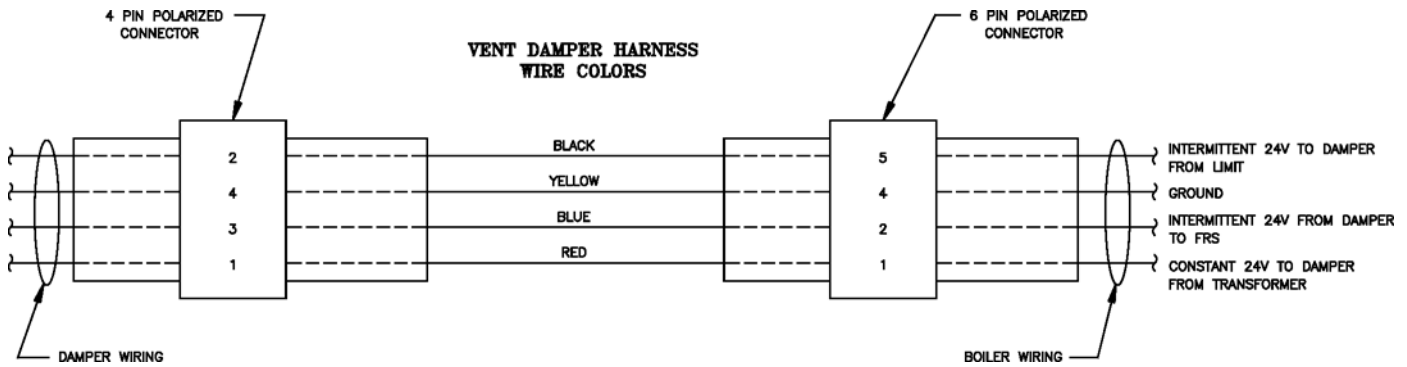


Figure 26: Vent Damper Schematic Wiring Diagram (806H - 810HE)

Table 9: Heat Anticipator Settings

Control System	Heat Anticipator Setting *	
	Continuous Circulation	Intermittent Circulation
24V Standing Pilot	1.1	0.3
24V Electronic Ignition	USA: 0.9	0.3
	Canada: 1.2	
* If room is heated above thermostat temperature setting, reduce heat anticipator setting by 0.1 or 0.2 amps. If boiler short cycles without room reaching desired temperature, increase heat anticipator by 0.1 or 0.2 amps.		

Table 10: Sequence of Operation and Wiring Diagrams

Ignition System	Country	Fuel	Boiler Sizes	Wiring Diagram Figure		Sequence of Operation
				Continuous	Intermittent	
Standing Pilot (24V)	USA & Canada	Natural Gas	6 & 7 Sect.	Figure 27	Figure 28	Page 38
		LP Gas				
Intermittent Ignition (Honeywell EI - 24V)	USA & Canada	Natural	805 Only	Figure 29	Figure 29	Page 41
		LP Gas				
Intermittent Ignition (Honeywell EI - 24V)	USA	Natural Gas	6 - 10 Sect.	Figure 30	Figure 31	Page 42
		LP Gas				
	Canada	Natural Gas	6 - 10 Sect.	Figure 32	Figure 33	Page 44
		LP Gas	6 - 7 Sect.			
Intermittent Ignition (EP/EP-CSD-1 - 120V)	USA & Canada	Natural Gas	6 - 10 Sect.	Figure 34	Figure 35	Page 47
		LP Gas	Not Available			

1. Standing Pilot (24) Sequence of Operation

a. Normal Operation

- i.* Thermostat or operating control calls for heat. Vent Damper (if used) opens.
- ii.* Gas valves are energized allowing main gas flow and ignition of main burners.
- iii.* Call or heat ends. Gas valves are de-energized, extinguishing main flame. Vent Damper (if used) closes.

b. Safety Shutdown

- i.* Limit: Automatically interrupts main burner operation when water temperature exceeds set point. Maximum allowable temperature is 250°F. Circulator continues to operate with call for heat, Vent Damper (if used) closes. Normal operation resumes when water temperature falls below set point.
- ii.* Blocked Vent Switch: Automatically interrupts main burner operation when excessive flue gas spillage occurs.

Circulator continues to operate and Vent Damper (if used) remains open with call for heat. If blocked vent switch is activated do not attempt to place boiler in operation. Correct cause of spillage and reset blocked vent switch.

- iii.* Flame Roll-out Switch: Automatically interrupts main burner operation when flames or excessive heat are present in vestibule. Circulator continues to operate and Vent Damper (if used) remains open with call for heat. Control is single use device. If flame roll-out switch is activated, do not attempt to place boiler in operation. Correct cause of spillage and replace flame roll-out switch.
- iv.* Thermocouple: Senses pilot flame and causes gas valves to turn off main burner and pilot burner gas flow should pilot burner flame extinguish. Circulator continues to operate and Vent Damper (if used) remains open with call for heat.

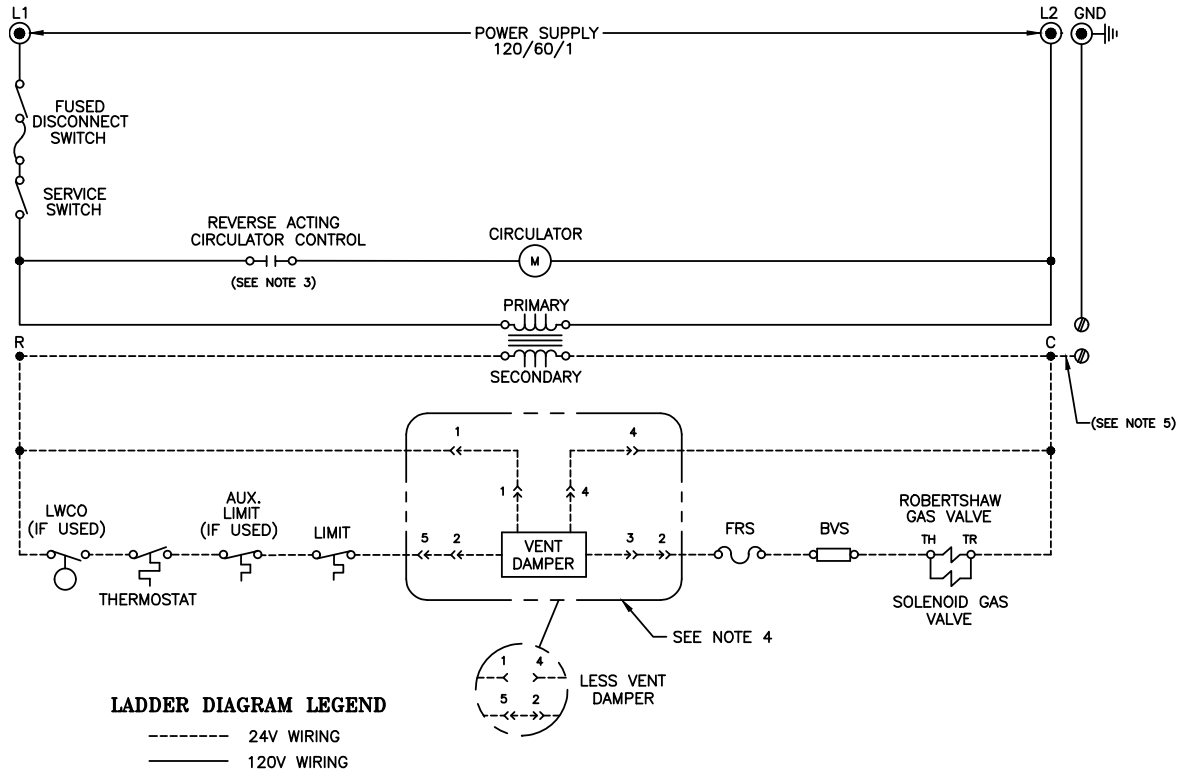
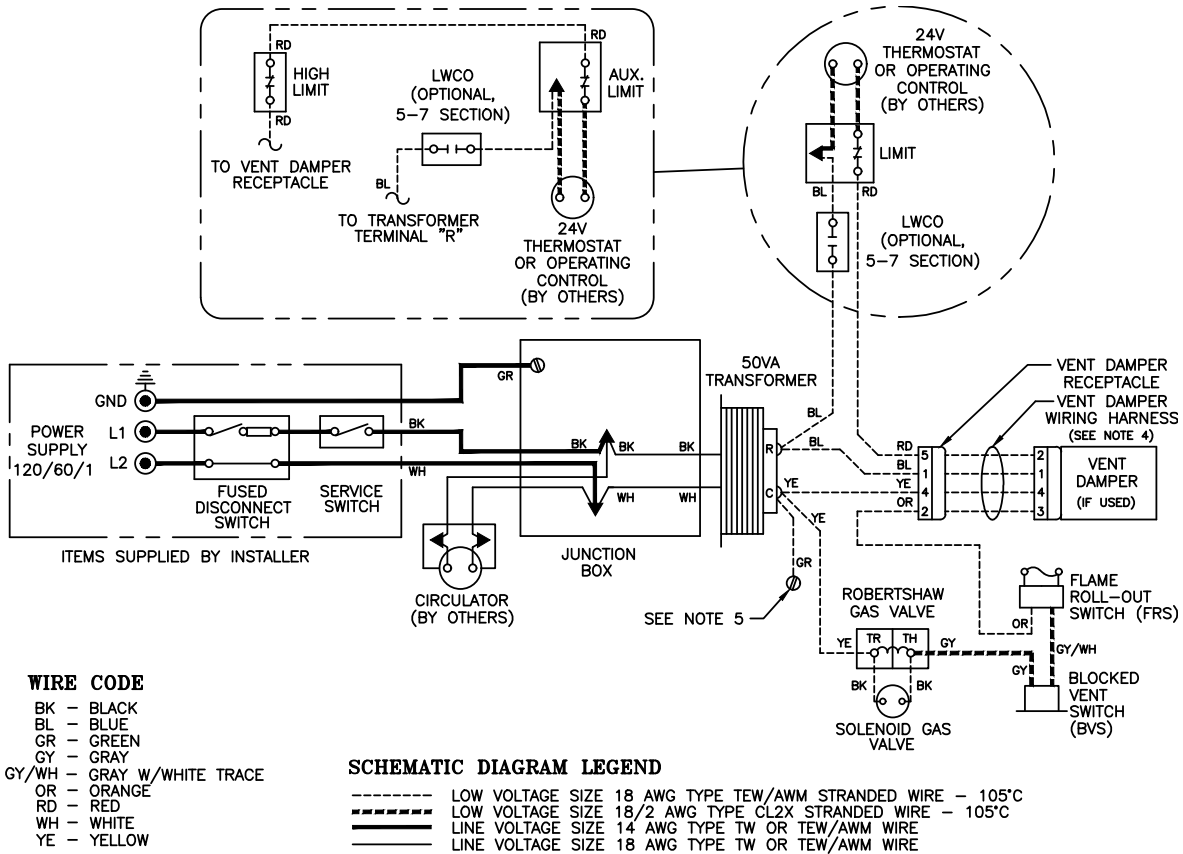
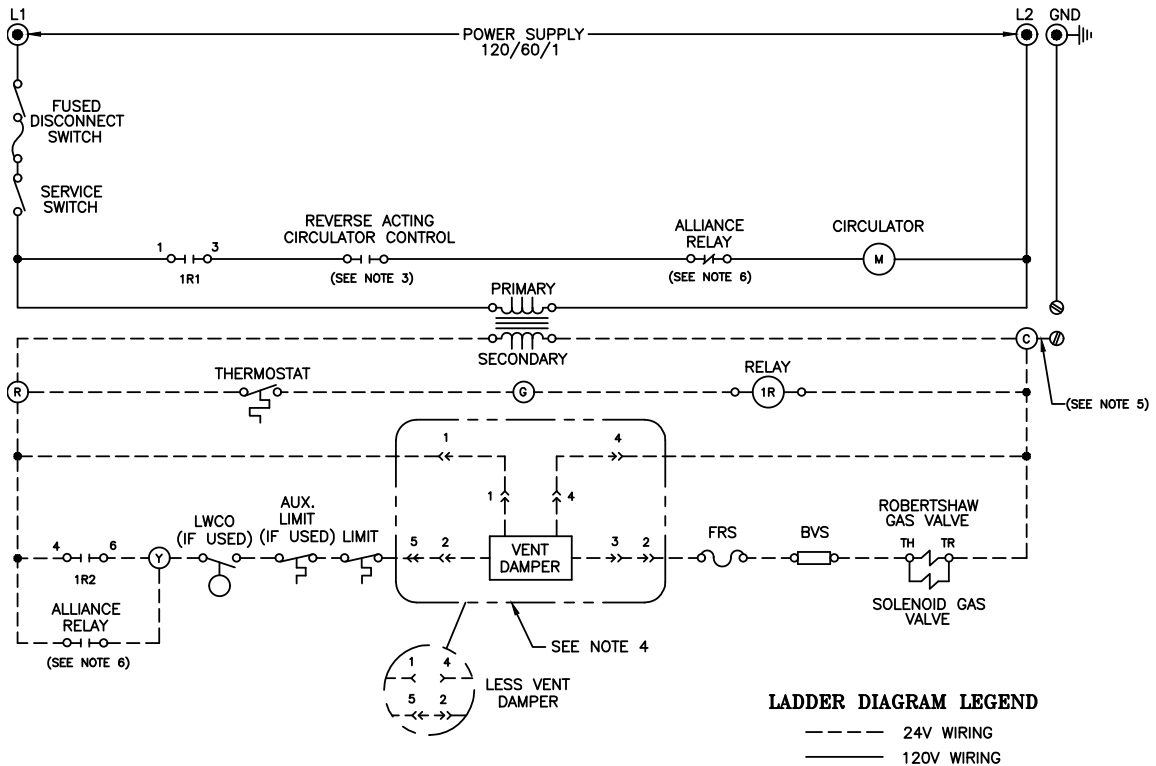
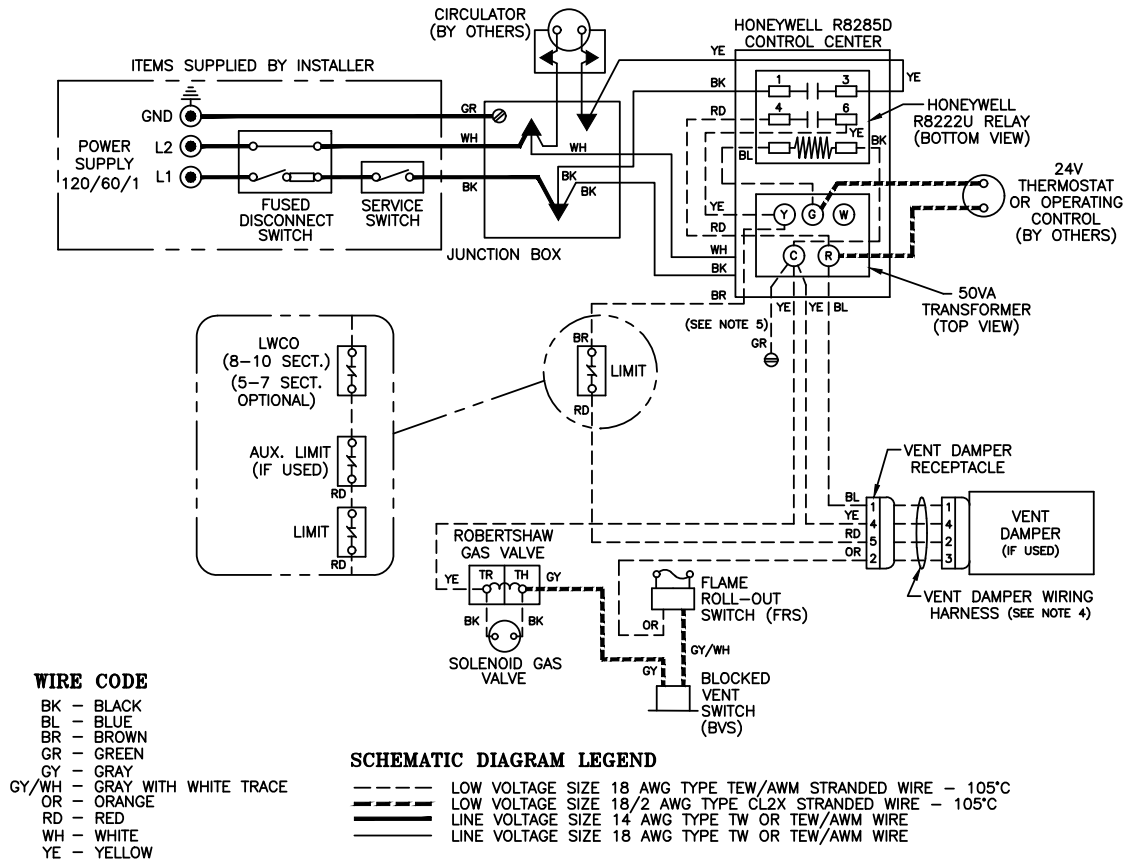


Figure 27: Wiring Diagram, Standing Pilot (24V), USA & Canada, Continuous Circulation (806H - 807HE)



NOTES:

1. IF ANY OF THE ORIGINAL WIRE AS SUPPLIED WITH THE APPLIANCE MUST BE REPLACED, IT MUST BE REPLACED WITH WIRE AS SHOWN OR ITS EQUIVALENT.
2. SECOND LIMIT INCLUDED WITH PACKAGED BOILER, INSTALLER SUPPLIED FOR KNOCKDOWN BOILER.
3. ADDITIONAL LIMITS (TEMPERATURE, LOW WATER CUT-OFF, ETC.) SUPPLIED BY INSTALLER.
4. FOR BOILER LESS VENT DAMPER ONLY: VENT DAMPER WIRING HARNESS REPLACED WITH JUMPER PLUG.
5. CANADA ONLY - ATTACH GREEN GROUND WIRE FROM CONTROL CENTER TERMINAL 'C' TO JACKET SCREW IN VESTIBULE.
6. ALLIANCE WATER HEATER CONTROLS SUPPLIED BY INSTALLER (SHOWN FOR DOMESTIC WATER PRIORITY AND CIRCULATOR ZONING).

Figure 28: Wiring Diagram, Standing Pilot (24V), USA & Canada, Intermittent Circulation (806H - 807HE)

2. Honeywell EI Sequence of Operation

a. Normal Operation

- i.* Thermostat or operating control calls for heat. Vent Damper (if used) opens.
- ii.* Ignition Module Terminals PV, MV/PV and the Ignition Terminal are energized. Terminals PV and MV/PV power the Pilot Valve in the Gas Valve supplying gas to the Pilot. The Ignition Terminal supplies voltage to the Ignition Electrode creating an electric spark to ignite the Pilot.
- iii.* The sensing Circuit between the Q3481B Pilot Burner and the IGNITION MODULE proves the presence of the Pilot Flame Electronically and the Ignition Terminal is de-energized.
- iv.* Terminals MV and MV/PV of the IGNITION MODULE are energized and supply power to the Main Gas Valve. The Gas Valve is energized allowing main gas flow, and ignition of Main Burners.
- v.* Call for heat ends. Ignition module is de-energized, de-energizing gas valve, and extinguishing pilot and main flame. Vent Damper (if used) closes.

b. Safety Shutdown

- i.* Limit: Automatically interrupts power to the Ignition Module and Gas Valve(s), extinguishing pilot and main flame, when water temperature exceeds set point. Maximum allowable temperature is 250°F. Circulator continues to operate with call for heat, Vent Damper (if used) closes. Normal operation resumes when water temperature falls below set point.
- ii.* Blocked Vent Switch: Automatically interrupts main burner operation when excessive flue gas spillage occurs.

Circulator continues to operate and Vent Damper (if used) remains open with call for heat. If blocked vent switch is activated do not attempt to place boiler in operation. Correct cause of spillage and reset blocked vent switch.

- iii.* Flame Roll-out switch: Automatically interrupts main burner operation when flames or excessive heat are present in vestibule. Circulator continues to operate, Vent Damper (if used) remains open with call for heat. Control is single use device. If flame roll-out switch is activated, do not attempt to place boiler in operation. Correct cause of spillage and replace flame roll-out switch.

iv. Pilot

- Pilot failure can occur during the start-up or the operating cycle of the boiler. Any pilot failure of the Q3481B Electronic Pilot, after ignition of pilot flame will close the main gas valve in 0.8 seconds.
- For approximately 90 seconds after failure of the Q3481B pilot, the module through the ignition terminal will try to reestablish pilot flame. If no pilot flame can be sensed by the flame rod circuit, terminals PV and MV/PV are de-energized and the module will lock out on safety. Five to six minutes after shutdown, the IGNITION MODULE restarts the ignition sequence. The ignition trial, shutdown, and wait sequence continues until either the pilot lights or the Thermostat is set below room temperature (to end the call for heat). The ignition sequence can be reset by setting down the Thermostat for one minute.

c. Trouble Shooting Guide. See Page 60.

NOTE: For Model 805 Only: the 805 follows the EI sequence of operation. See Hydrolevel 3200 instruction manual packed with control for further details on control operation.

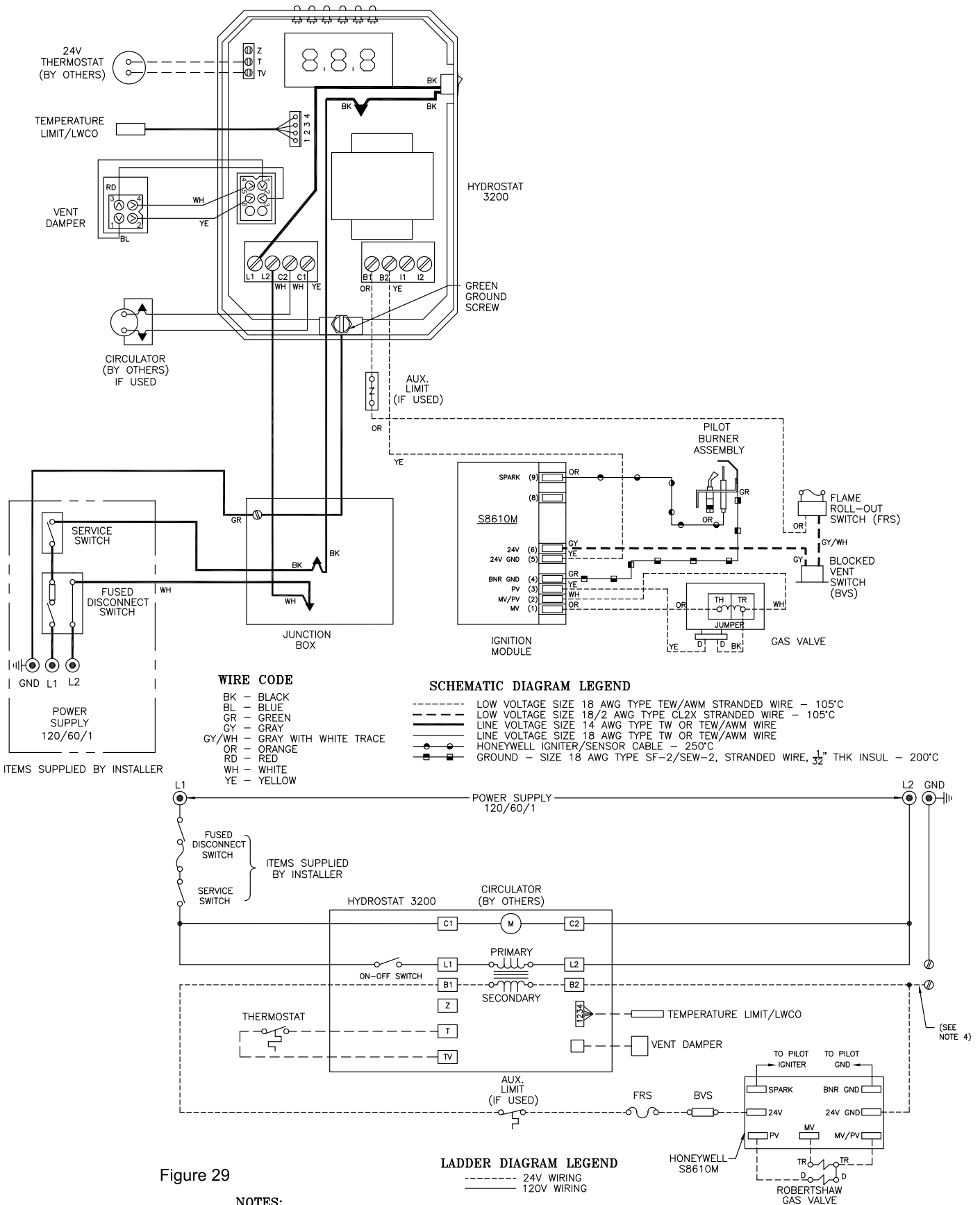


Figure 29

Figure 29: Wiring Diagram, Honeywell EI, USA & Canada, 805 Only with Hydrostat 3200 Control

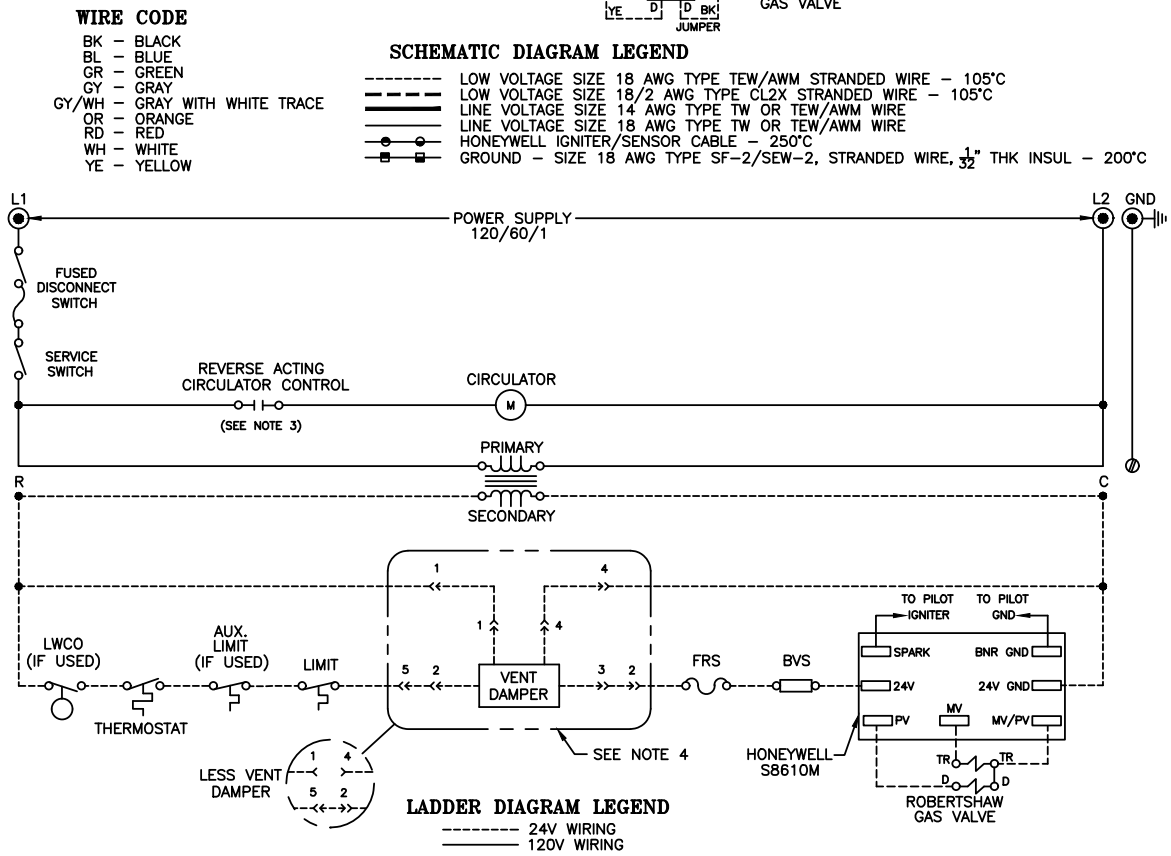
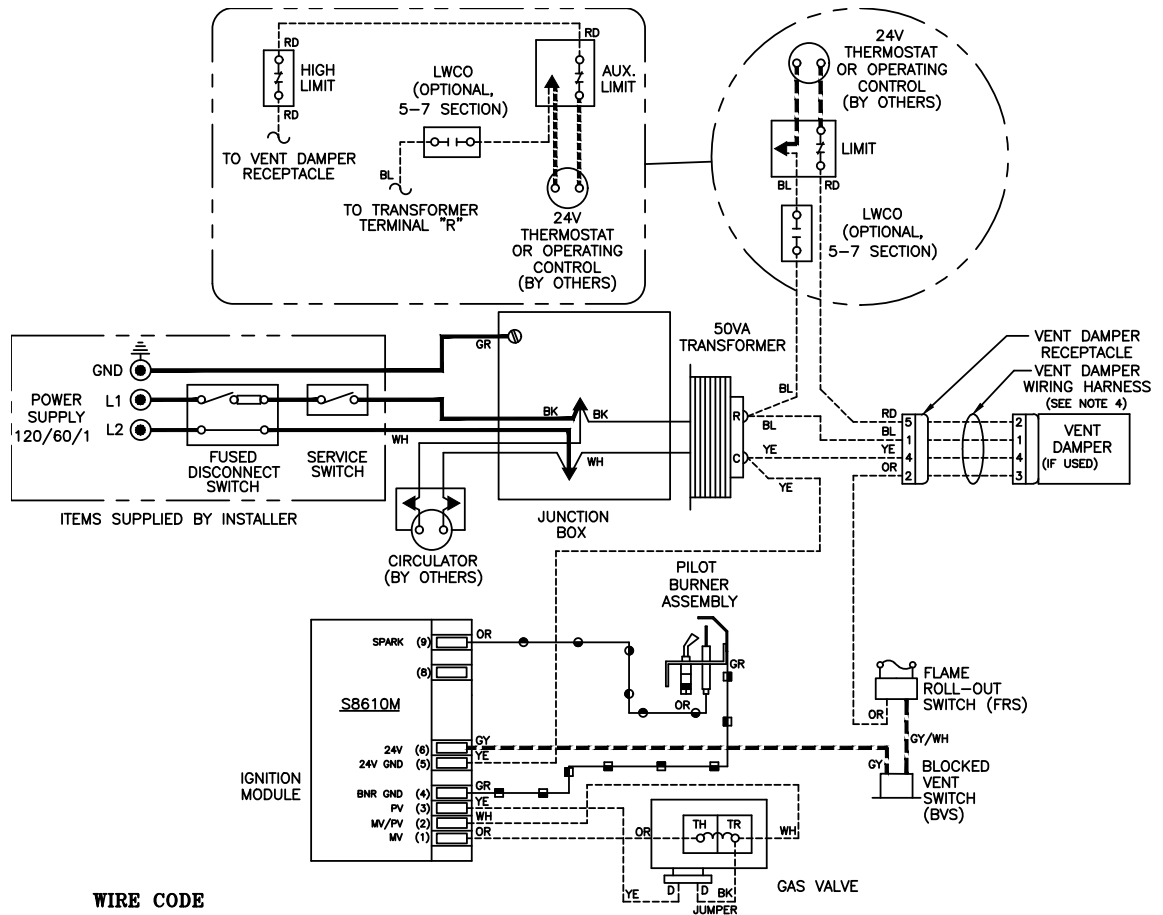
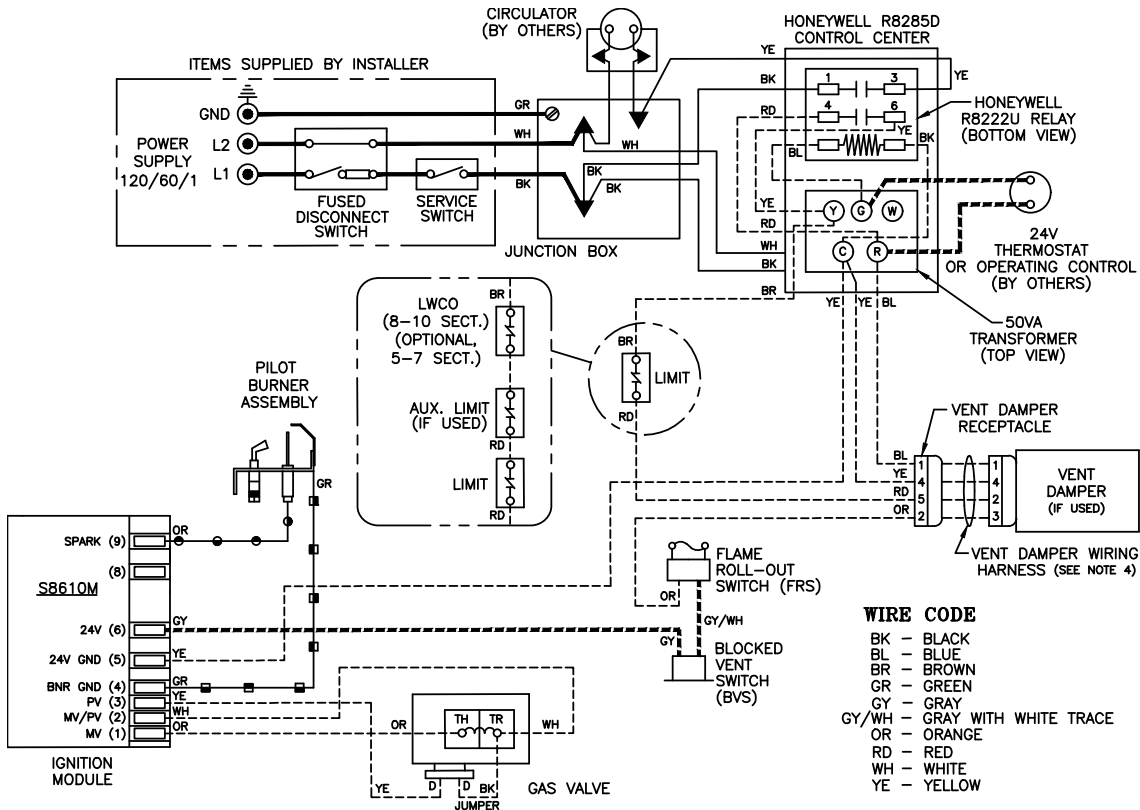
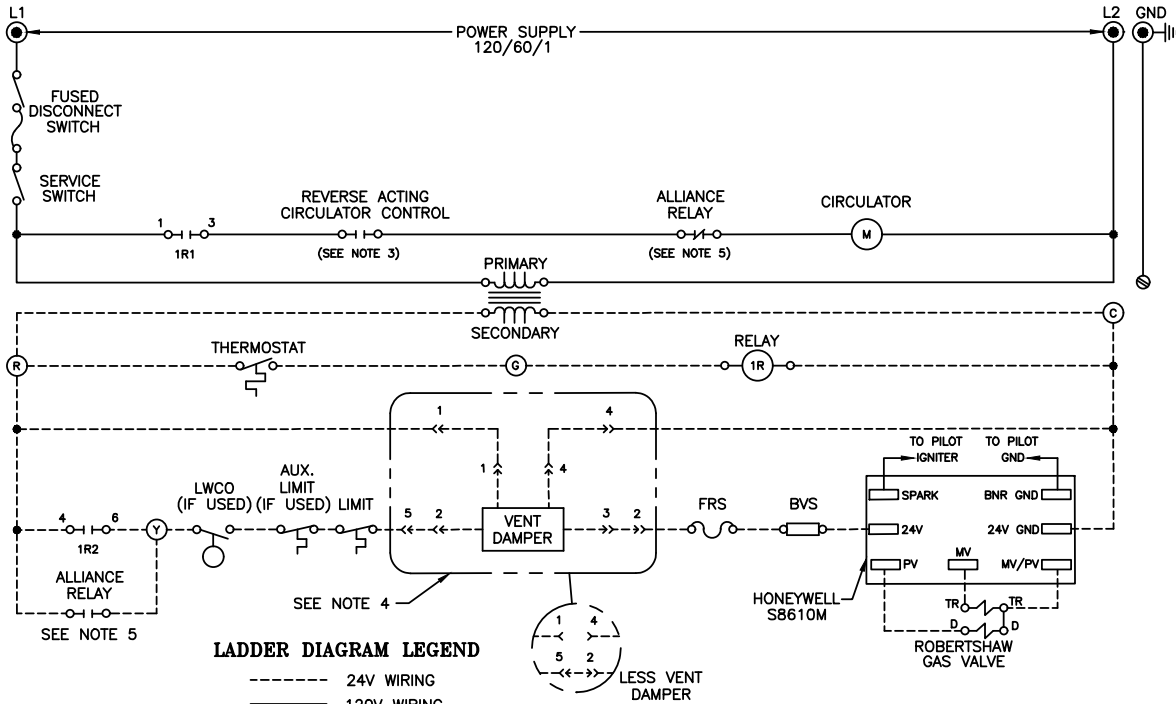


Figure 30: Wiring Diagram, Honeywell EI, USA, Continuous Circulation (806 - 810)



SCHEMATIC DIAGRAM LEGEND

- LOW VOLTAGE SIZE 18 AWG TYPE TEW/AWM STRANDED WIRE - 105°C
- LOW VOLTAGE SIZE 18/2 AWG TYPE CL2X STRANDED WIRE - 105°C
- ===== LINE VOLTAGE SIZE 14 AWG TYPE TW OR TEW/AWM WIRE
- ===== LINE VOLTAGE SIZE 18 AWG TYPE TW OR TEW/AWM WIRE
- HONEYWELL IGNITER/SENSOR CABLE - 250°C
- GROUND - SIZE 18 AWG TYPE SF-2/SEW-2, STRANDED WIRE, 1/32" THK INSULATION - 200°C.



NOTES:

1. IF ANY OF THE ORIGINAL WIRE AS SUPPLIED WITH THE APPLIANCE MUST BE REPLACED, IT MUST BE REPLACED WITH WIRE AS SHOWN OR ITS EQUIVALENT.
2. SECOND LIMIT INCLUDED WITH PACKAGED BOILER, INSTALLER SUPPLIED FOR KNOCKDOWN BOILER.
3. ADDITIONAL LIMITS (TEMPERATURE, LOW WATER CUT-OFF, ETC.) SUPPLIED BY INSTALLER.
4. FOR BOILER LESS VENT DAMPER ONLY: VENT DAMPER WIRING HARNESS REPLACED WITH JUMPER PLUG.
5. ALLIANCE WATER HEATER CONTROLS SUPPLIED BY INSTALLER (SHOWN FOR DOMESTIC WATER PRIORITY AND CIRCULATOR ZONING).

Figure 31: Wiring Diagram, Honeywell EI, USA, Intermittent Circulation (806 - 810)

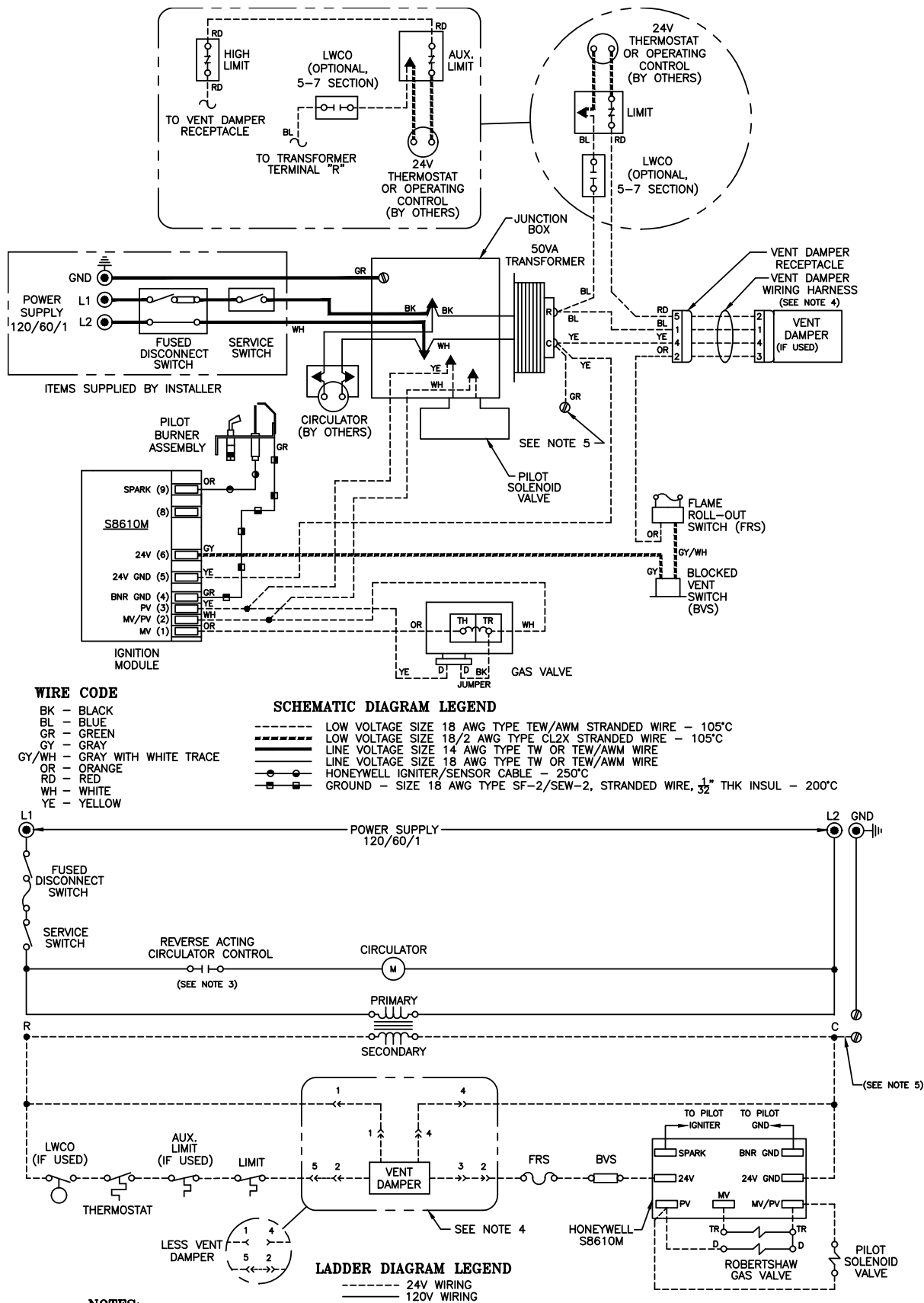
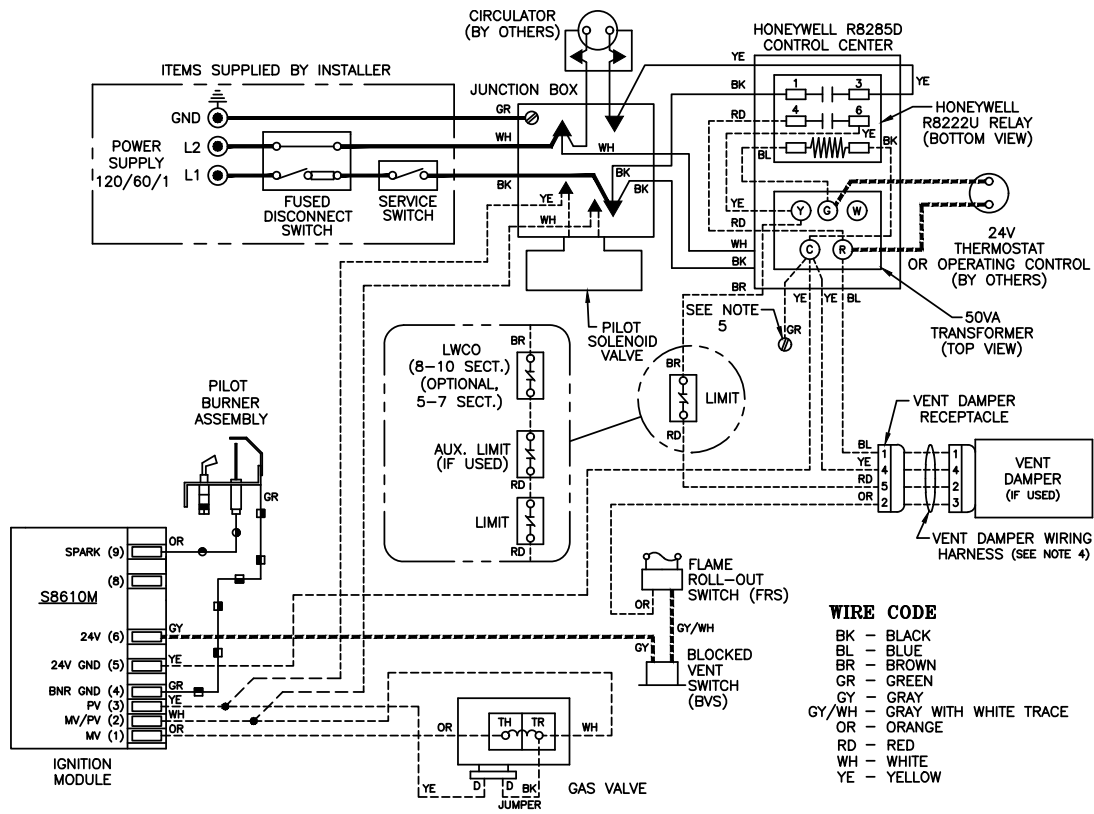


Figure 32: Wiring Diagram, Honeywell EI, Canada, Continuous Circulation
 (Natural: 806H - 810HE; LP: 806H - 807HE)

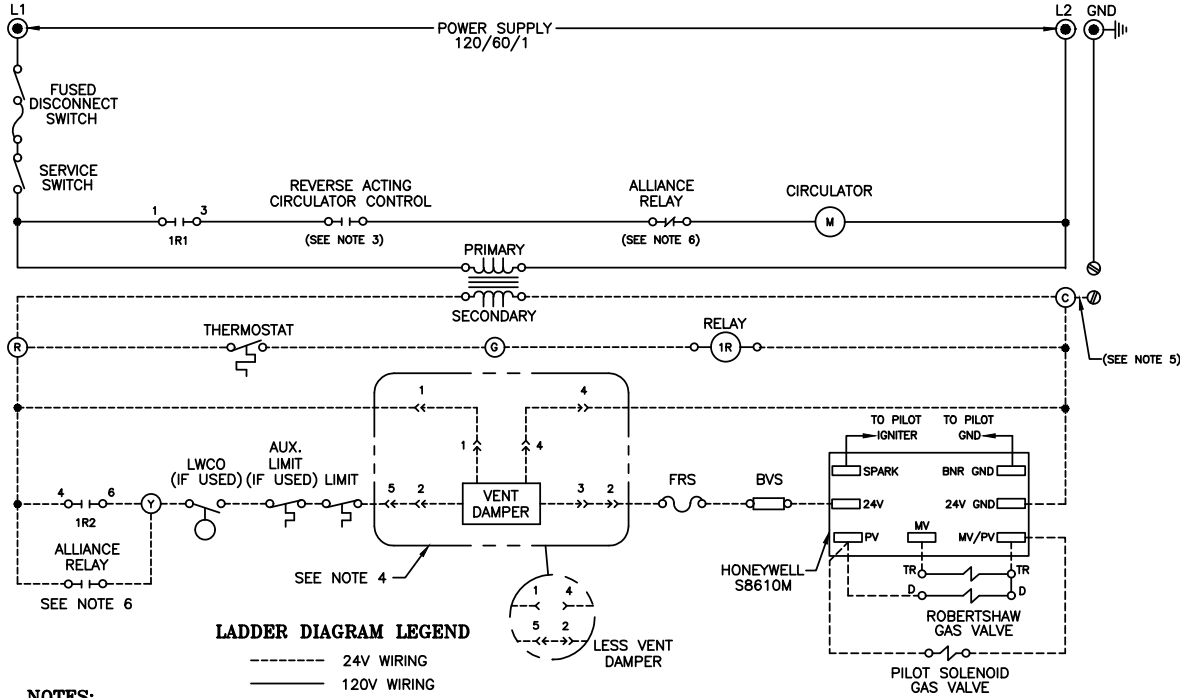


WIRE CODE

BK	-	BLACK
BL	-	BLUE
BR	-	BROWN
GR	-	GREEN
GY	-	GRAY
GY/WH	-	GRAY WITH WHITE TRACE
OR	-	ORANGE
RD	-	RED
WH	-	WHITE
YE	-	YELLOW

SCHEMATIC DIAGRAM LEGEND

- LOW VOLTAGE SIZE 18 AWG TYPE TEW/AWM STRANDED WIRE - 105°C
- LOW VOLTAGE SIZE 18/2 AWG TYPE CL2X STRANDED WIRE - 105°C
- LINE VOLTAGE SIZE 14 AWG TYPE TW OR TEW/AWM WIRE
- LINE VOLTAGE SIZE 18 AWG TYPE TW OR TEW/AWM WIRE
- ○ HONEYWELL IGNITER/SENSOR CABLE - 250°C
- ■ GROUND - SIZE 18 AWG TYPE SF-2/SEW-2, STRANDED WIRE, 1/32" THK INSULATION - 200°C.



LADDER DIAGRAM LEGEND

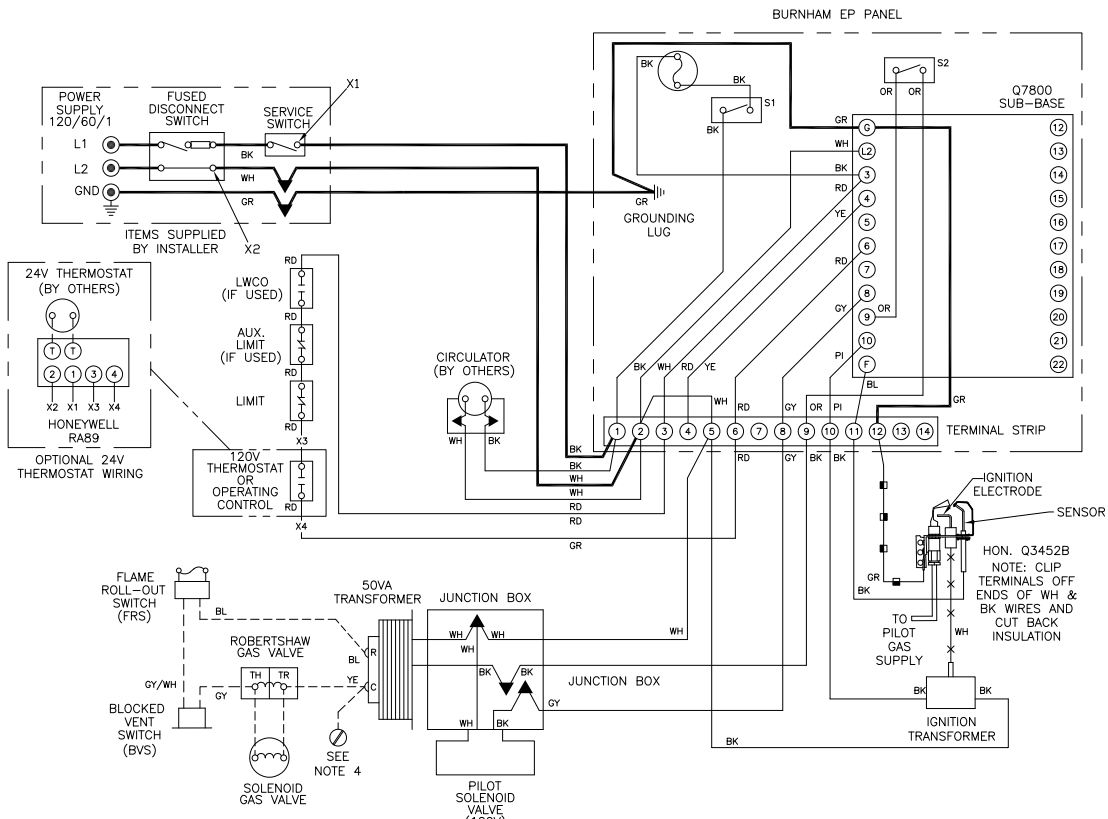
- 24V WIRING
- 120V WIRING

NOTES:

1. IF ANY OF THE ORIGINAL WIRE AS SUPPLIED WITH THE APPLIANCE MUST BE REPLACED, IT MUST BE REPLACED WITH WIRE AS SHOWN OR ITS EQUIVALENT.
2. SECOND LIMIT INCLUDED WITH PACKAGED BOILER, INSTALLER SUPPLIED FOR KNOCKDOWN BOILER.
3. ADDITIONAL LIMITS (TEMPERATURE, LOW WATER CUT-OFF, ETC.) SUPPLIED BY INSTALLER.
4. FOR BOILER LESS VENT DAMPER ONLY: VENT DAMPER WIRING HARNESS REPLACED WITH JUMPER PLUG.
5. CANADA ONLY - ATTACH GREEN GROUND WIRE FROM TRANSFORMER TERMINAL "C" TO JACKET SCREW IN VESTIBULE.
6. ALLIANCE WATER HEATER CONTROLS SUPPLIES BY INSTALLER (SHOWN FOR DOMESTIC WATER PRIORITY AND CIRCULATOR ZONING).

Figure 33: Wiring Diagram, Honeywell EI, Canada, Intermittent Circulation (Natural: 806H - 810HE; LP: 806H - 807HE)

6. Electronically Supervised Intermittent Ignition (EP/EP-CSD-1) Sequence of Operation
 - a. Normal Operation
 - i. Thermostat or operating control calls for heat.
 - ii. Terminal #6 of RM7890A Burner Control is energized, initiating a microcomputer monitored circuit test.
 - iii. The pilot valve (terminal 8) and ignition transformer (terminal 10) are energized. The pilot valve opens and the ignition electrode sparks, igniting the pilot.
 - iv. After the pilot flame is proven, the ignition terminal (10) is de-energized and the main valve terminal (9) is energized, allowing main gas flow and ignition of main burners. "Main" gas light will be illuminated.
 - v. When the call for heat ends, terminal #6 is de-energized, extinguishing the pilot and main flames. "Main" gas light is de-energized.
 - b. Safety Shutdown
 - i. Limit: Automatically interrupts main burner operation when water temperature exceeds set point. Maximum allowable temperature is 250°F. Circulator continues to operate with call for heat. Normal operation resumes when water temperature falls below set point.
 - ii. Blocked Vent Switch: Automatically interrupts main burner operation when excessive flue gas spillage occurs. Circulator continues to operate with call for heat. If blocked vent switch is activated, do not attempt to place boiler in operation. Correct cause of spillage and reset blocked vent switch.
 - iii. Flame Roll-out Switch: Automatically interrupts main burner operation when flames or excessive heat are present in vestibule. Circulator continues to operate with call for heat. Control is single use device. If flame roll-out switch is activated, do not attempt to place boiler in operation. Correct cause of spillage and replace flame roll-out switch.
 - iv. RM7890A Burner Control: Automatically interrupts main burner operation if a pilot flame is not detected during the four or ten second pilot flame establishing period. The RM7890A will lockout or recycle based on jumper settings. "Alarm" light will be illuminated. Refer to instructions supplied with RM7890A for additional control information.



WIRE CODE

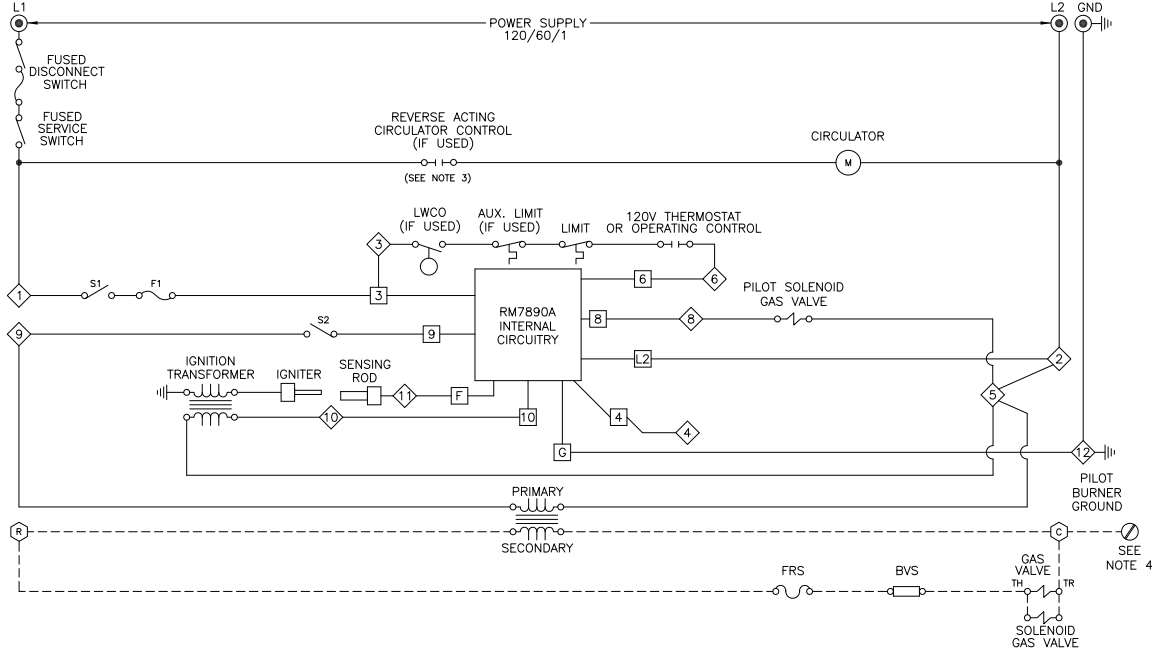
BK - BLACK
 BL - BLUE
 GR - GREEN
 GY - GRAY
 GY/WH - GRAY WITH WHITE TRACE
 PI - PINK
 OR - ORANGE
 RD - RED
 WH - WHITE
 YE - YELLOW

SCHEMATIC DIAGRAM LEGEND

----- LOW VOLTAGE SIZE 18 AWG TYPE TEW/AWM STRANDED WIRE - 105°C
 ----- LOW VOLTAGE SIZE 18/2 AWG TYPE CL2X STRANDED WIRE - 105°C
 ----- LINE VOLTAGE SIZE 14 AWG TYPE TW OR TEW/AWM WIRE
 ----- LINE VOLTAGE SIZE 18 AWG TYPE TW OR TEW/AWM WIRE
 ■■■■■ GROUND - SIZE 18 AWG TYPE SF-2/SEW-2, STRANDED WIRE, 32 THK INSUL - 200°C
 -x-x- IGNITOR LEAD
 (DO NOT RUN CONDUIT WITH LINE VOLTAGE WIRING)

EP PANEL COMPONENT LEGEND

F1 - PANEL FUSE
 S1 - POWER SWITCH
 S2 - GAS VALVE SWITCH
 L1 - POWER INDICATOR LAMP, GREEN
 L2 - GAS VALVE INDICATOR LAMP, GREEN
 L3 - FLAME FAILURE LAMP, RED



NOTES:

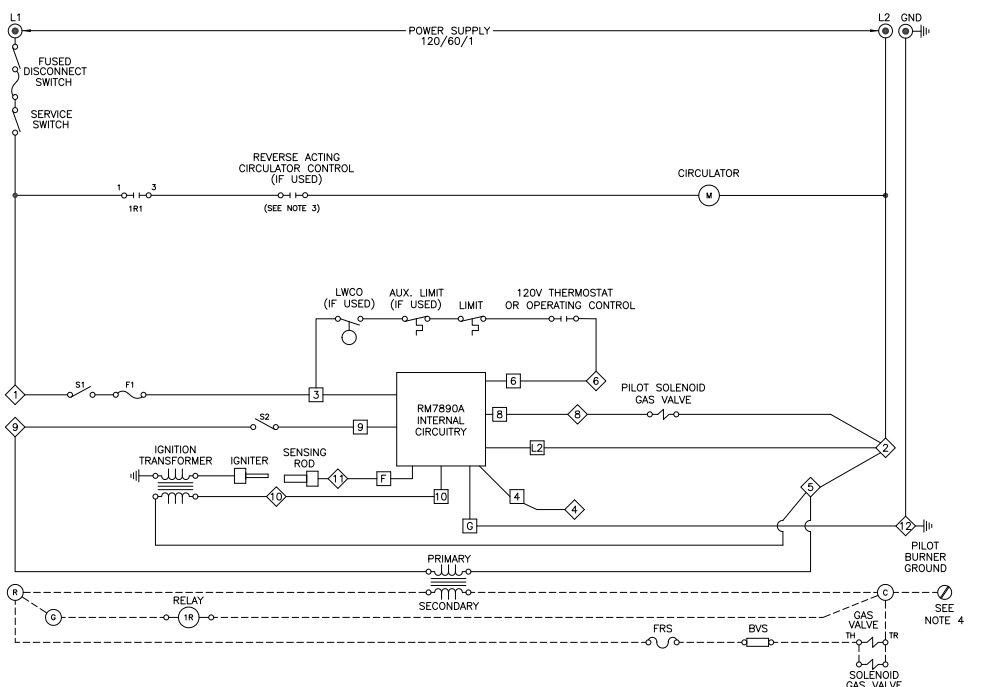
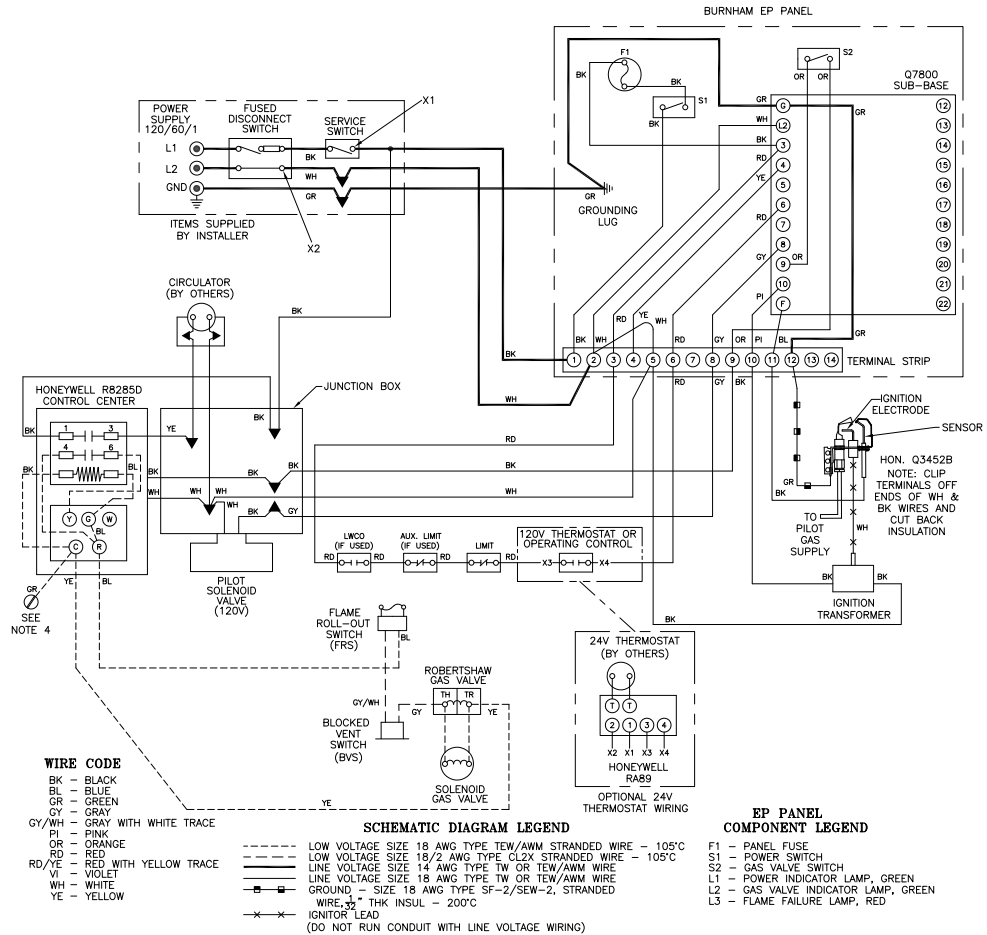
- IF ANY OF THE ORIGINAL WIRE AS SUPPLIED WITH THE APPLIANCE MUST BE REPLACED, IT MUST BE REPLACED WITH WIRE AS SHOWN OR ITS EQUIVALENT.
- SECOND LIMIT INCLUDED WITH PACKAGED BOILER, INSTALLER SUPPLIED FOR KNOCKDOWN BOILER. ALL CSD-1 BOILERS SUPPLIED WITH SECOND LIMIT.
- ADDITIONAL LIMITS (TEMPERATURE, LOW WATER CUT-OFF, ETC.) SUPPLIED BY INSTALLER.
- CANADA ONLY - ATTACH GREEN GROUND WIRE FROM TRANSFORMER TERMINAL "C" TO JACKET SCREW IN VESTIBULE.

LADDER DIAGRAM LEGEND

----- 24V WIRING
 ----- 120V WIRING

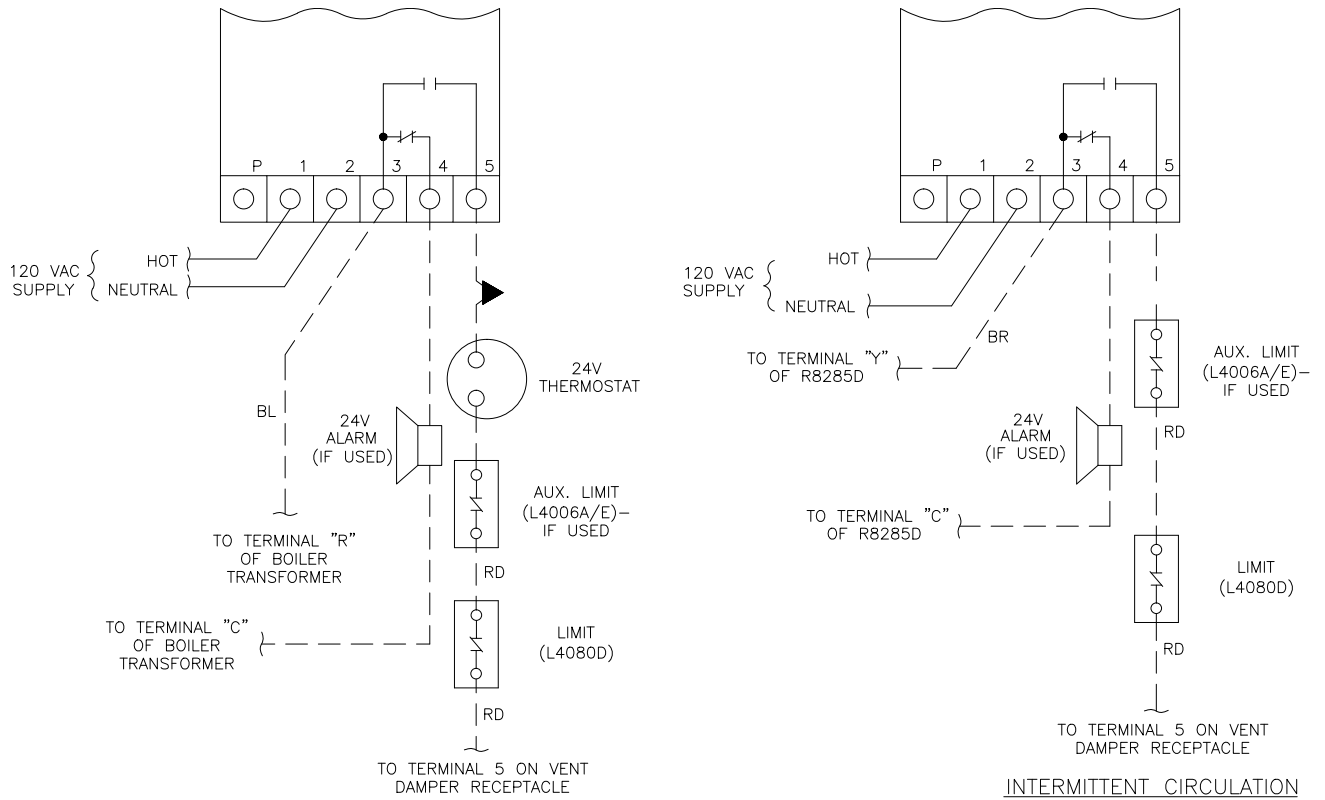
□ Q7800 SUB-BASE TERMINAL
 ◇ EP TERMINAL STRIP TERMINAL
 ○ AT150 TRANSFORMER TERMINAL

Figure 34: Wiring Diagram, EP Ignition System, Natural Gas Only, Continuous Circulation (EP-CSD-1; Natural Gas, USA & Canada, 808HE - 810HE)



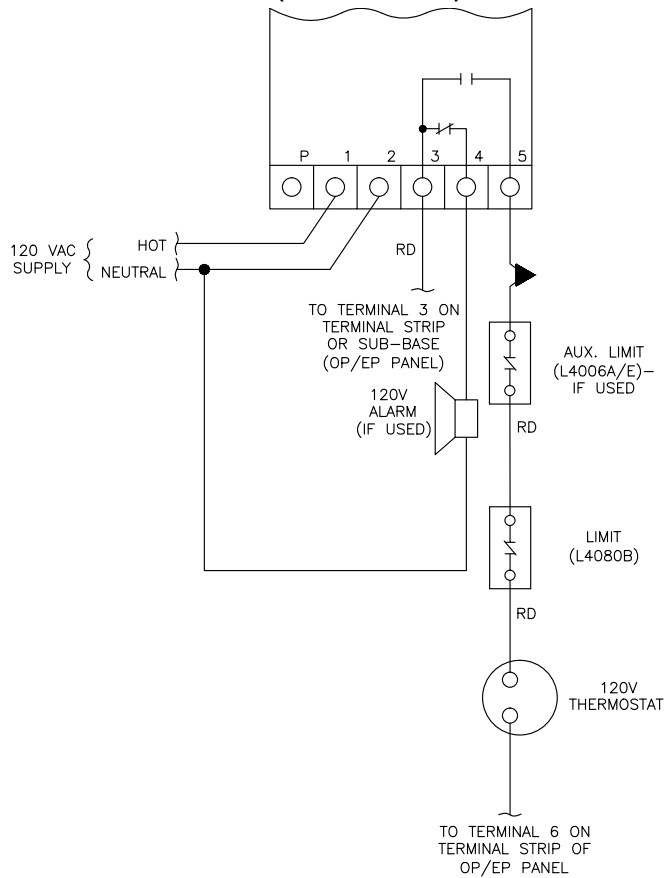
- NOTES:**
- IF ANY OF THE ORIGINAL WIRE AS SUPPLIED WITH THE APPLIANCE MUST BE REPLACED, IT MUST BE REPLACED WITH WIRE AS SHOWN OR ITS EQUIVALENT.
 - SECOND LIMIT INCLUDED WITH PACKAGED BOILER, INSTALLER SUPPLIED FOR KNOCKDOWN BOILER. ALL GSD-1 BOILERS SUPPLIED WITH SECOND LIMIT.
 - ADDITIONAL LIMITS (TEMPERATURE, LOW WATER CUT-OFF, ETC.) SUPPLIED BY INSTALLER.
 - CANADA ONLY - ATTACH GREEN GROUND WIRE FROM TRANSFORMER TERMINAL "C" TO JACKET SCREW IN VESTIBULE.
- LADDER DIAGRAM LEGEND**
- 24V WIRING
 ----- 120V WIRING
- Q7800 SUB-BASE TERMINAL
 □ R8285D CONTROL CENTER TERMINAL
 ◇ EP TERMINAL STRIP TERMINAL

Figure 35: Wiring Diagram, EP Ignition System, Natural Gas Only, Intermittent Circulation (EP-CSD-1; Natural Gas, USA & Canada, 808HE - 810HE)



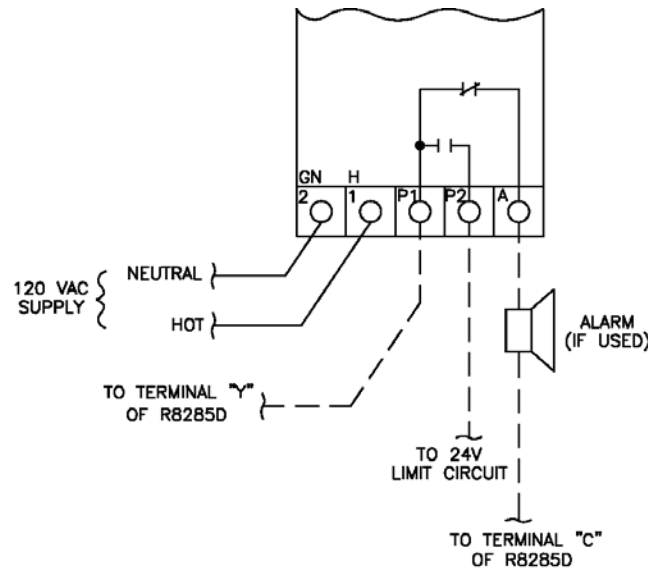
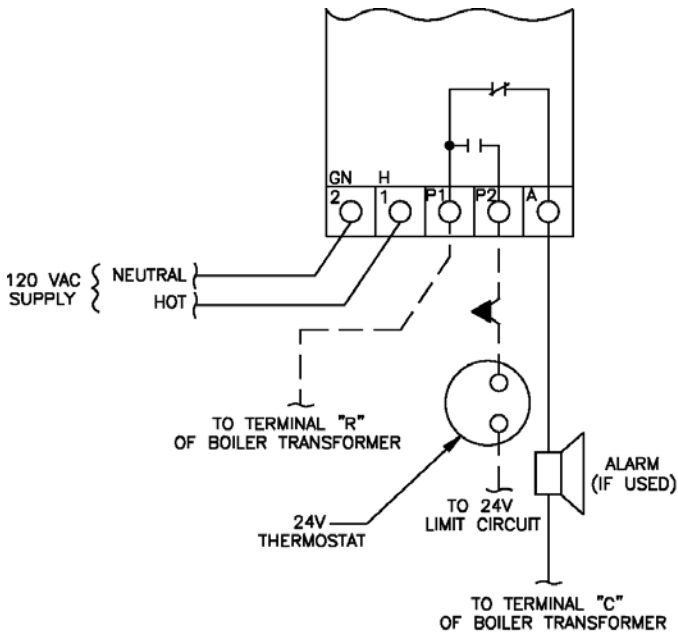
CONTINUOUS CIRCULATION

Figure 36: McDonnell & Miller 751P-MT (120V) L.W.C.O. Wiring for Boilers with 24V Limit Circuits (806H - 810HE)



CONTINUOUS OR INTERMITTENT CIRCULATION

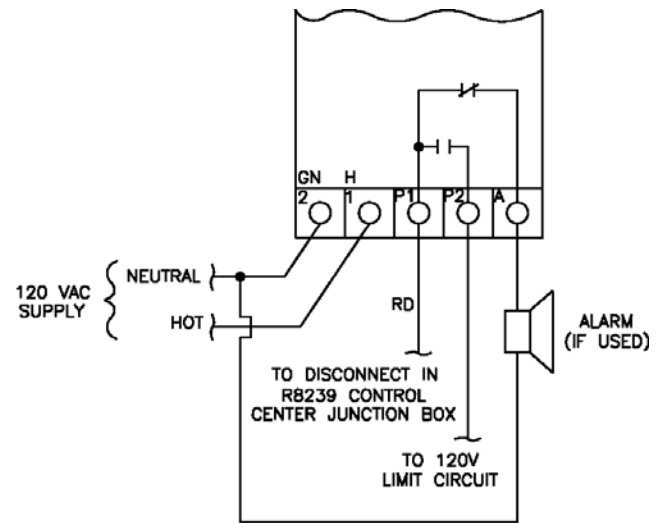
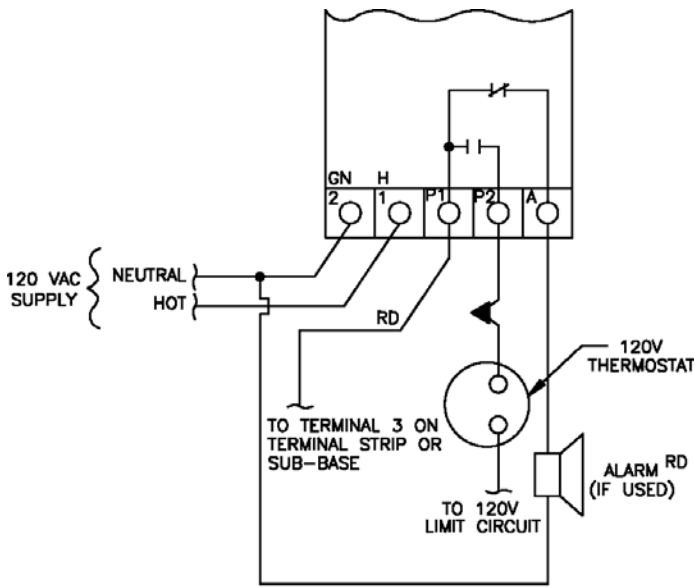
Figure 37: McDonnell & Miller 751P-MT (120V) L.W.C.O. Wiring for Boilers with 120V Limit Circuits (EP) (808HE - 810HE)



CONTINUOUS CIRCULATION

INTERMITTENT CIRCULATION

Figure 38: Hydrolevel OEM - 170/550/650/750 (120V) L.W.C.O. Wiring for Boilers with 24V Limit Circuits (806H - 810HE)



CONTINUOUS CIRCULATION

INTERMITTENT CIRCULATION

Figure 39: Hydrolevel OEM - 170/550/650/750 (120V) L.W.C.O. Wiring for Boilers with 120V Limit Circuits (808HE - 810HE)

VIII. System Start-Up

⚠ WARNING

Completely read, understand and follow all instructions in this manual before attempting start-up.

⚠ ADVERTISSEMENT

Lisez, comprenez et suivez complètement toutes les instructions de ce manuel avant de tenter le démarrage.

- A. Safe operation** and other performance criteria were met with the gas manifold and control assembly provided on boiler when boiler underwent tests specified in *American National Standard for Gas-Fired Low-Pressure Steam and Hot Water Boilers, ANSI Z21.13.*
- B. Check Main Burners.** Main burners must be properly located on support bracket in Base Rear Panel, seated on Main Burner Orifices, and secured with hitch pin clips.
- C. Verify that the venting, water piping, gas piping and electrical system** are installed properly. Refer to installation instructions contained in this manual.
- D. Confirm all electrical, water and gas supplies** are turned off at the source and that vent is clear of obstructions.
- E. FILL ENTIRE HEATING SYSTEM WITH WATER** and vent air from system. Use following procedure on a Series Loop or multi-zoned system installed as per Figure 21 to remove air from system when filling.

⚠ WARNING

The maximum operating pressure of this boiler is 50 psig. Never exceed this pressure. Do not plug or modify pressure relief valve.

⚠ ADVERTISSEMENT

La pression de fonctionnement maximale de cette chaudière est de 50 psig. Ne dépassez jamais cette pression. Ne pas boucher ni modifier la soupape de surpression.

1. Close full port ball valve in boiler supply piping.
2. Isolate all zones by closing zone valves or shut-off valves in supply and return of each zone(s).
3. Attach a hose to the vertical purge valve located prior to the full port ball valve in the system supply piping. (Note - Terminate hose in five gallon bucket at a suitable floor drain or outdoor area).
4. Starting with one circuit at a time, open zone valve or shut-off valve in system supply and return piping.
5. Open purge valve.
6. Open fill valve (Make-up water line should be located directly after full port ball valve in system supply piping between air scoop and expansion tank).
7. Allow water to overflow from bucket until discharge from hose is bubble free for 30 seconds.

8. Close the open zone valve or shut-off valve for the zone being purged of air, then open the zone valve or shut-off valve for the next zone to be purged. Repeat this step until all zones have been purged. At completion, open all zone valves or shut-off valves.
9. Close purge valve, continue filling the system until the pressure gauge reads the desired cold fill pressure. Close fill valve.
(Note - If make-up water line is equipped with pressure reducing valve, adjust pressure reducing valve to desired cold fill pressure. Follow fill valve manufacturer's instructions).
10. Open isolation valve in boiler supply piping.
11. Remove hose from purge valve.

F. Confirm that the boiler and system have no water leaks.

G. Prepare to check operation.

1. Obtain gas heating value (in Btu per cubic foot) from gas supplier.
2. Connect manometer to pressure tap on gas valve. Use 1/8 NPT tapping provided.
3. Temporarily turn off all other gas-fired appliances.
4. Turn on gas supply to the boiler gas piping.
5. Confirm that the supply pressure to the gas valve is 14 in. w.c. or less.
6. Open the field installed manual gas shut-off valve located upstream of the gas valve on the boiler.
7. Using soap solution, or similar non-combustible solution, electronic leak detector or other approved method. Check that boiler gas piping, valves, and all other components are leak free. Eliminate any leaks.
8. Purge gas line of air.

H. Follow Lighting or Operating Instructions to place boiler in operation. Refer to label on inside of Front Removable Panel or appropriate Figure as listed in Table 11.

⚠ DANGER

Do not use matches, candles, open flames or other ignition source to check for leaks.

⚠ DANGER

N'utilisez pas d'allumettes, de bougies, de flammes nues ou de toute autre source d'allumage pour vérifier les fuites.

Table 11: Lighting and Operating Instructions

Ignition System	Lighting or Operating Instructions	Pilot Flame Illustration
Standing Pilot (24)	Figure 40	Figure 43
Honeywell EI	Figure 41	Figure 44
EP	Figure 42	Figure 45
EP-CSD-1	Figure 42	Figure 45

FOR YOUR SAFETY READ BEFORE LIGHTING

WARNING: If you do not follow these instructions exactly, a fire or explosion may result causing property damage, personal injury, or loss of life.

- A. This appliance has a pilot which must be lighted by hand. When lighting the pilot, follow these instructions exactly.
- B. **BEFORE LIGHTING** smell all around the appliance area for gas. Be sure to smell next to the floor because some gas is heavier than air and will settle on the floor.

WHAT TO DO IF YOU SMELL GAS:

- Do not try to light any appliance.
- Do not touch any electric switch; do not use any phone in your building.
- Immediately call your gas supplier from a neighbor's phone. Follow the gas supplier's instructions.

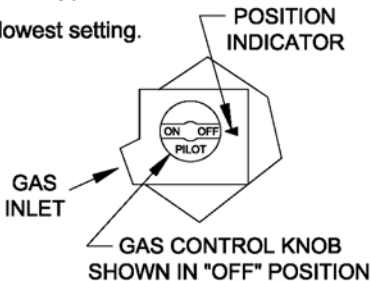
- If you cannot reach your gas supplier, call the fire department.

- C. Use only your hand to push in or turn the gas control knob. Never use tools. If the knob will not push in or turn by hand, don't try to repair it, call a qualified service technician. Force or attempted repair may result in a fire or explosion.
- D. Do not use this appliance if any part has been under water. Immediately call a qualified service technician to inspect the appliance and to replace any part of the control system and any gas control which has been under water.

LIGHTING INSTRUCTIONS

1. STOP! Read the safety information above on this label.
2. Read the lighting instructions all the way through before starting the procedure.
3. If equipped with vent damper, set the room thermostat to highest setting and wait two (2) minutes for the damper to open.
4. Turn off all electric power to the appliance.
5. Set the room thermostat to lowest setting.
6. Remove front door.

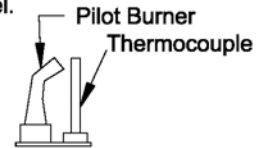
7. Locate the gas control valve at the end of the gas supply pipe going into the boiler. The gas control knob is the gray or brown plastic knob located on top of the gas control valve.



8. Push in gas control knob slightly and turn clockwise to "OFF". NOTE: Knob cannot be turned from "PILOT" to "OFF" unless knob is pushed in slightly. Do not force.
9. Wait five (5) minutes to clear out any gas. Then smell for gas, including near the floor. If you smell gas, STOP! Follow "B" in the safety information above on this label. If you do not smell gas, go to the next step. NOTE: Vent damper must be open during this five (5) minute wait period.

10. Remove burner access panel.

11. Find the pilot by following the aluminum tube from the gas control valve to the pilot located between the steel tube burners.



12. Turn gas control knob counterclockwise to "PILOT" position.

13. Push in control knob all the way and hold in. Immediately light the pilot with a match. Continue to hold the control knob for about one (1) minute after the pilot is lit. Release knob and it will pop back up. Pilot should remain lit. If it goes out, repeat steps 8-13.

- If knob does not pop up when released, stop and immediately call your service technician or gas supplier.
- If the pilot will not stay lit after several tries, turn gas control knob to "OFF" and call your service technician or gas supplier.

14. Replace burner access panel.

15. Turn gas control knob counterclockwise to "ON" position.

16. Replace front door.

17. Turn on all electric power to the appliance.

18. Set room thermostat to desired setting.

TO TURN OFF GAS TO APPLIANCE

1. Set the thermostat to the lowest setting.
2. Turn off all electric power to the appliance if service is to be performed.
3. Remove front door.

4. Push in gas control knob slightly and turn clockwise to "OFF". Do not force.

5. Replace front door.

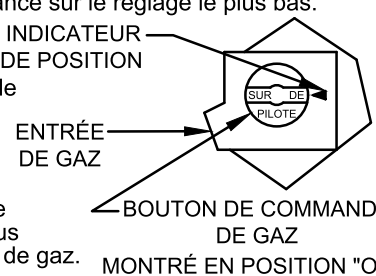

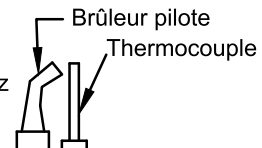

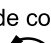
Figure 40: Lighting Instructions (24V Standing Pilot)

POUR VOTRE SECURITE LIRE AVANT D'ALLUMER

AVERTISSEMENT: Si vous ne suivez pas exactement ces instructions, un incendie ou une explosion peut en résulter, causant des dommages matériels, des blessures corporelles ou la mort.

- A. Cet appareil a un pilote qui doit être allumé à la main. Lorsque vous allumez le pilote, suivez exactement ces instructions.
- B. AVANT D'ALLUMER l'odeur tout autour de la zone de l'appareil pour le gaz. Assurez-vous de sentir à côté du sol car certains gaz sont plus lourds que l'air et se déposent sur le sol.
- QUE FAIRE SI VOUS SENTEZ UNE ODEUR DE GAZ:**
- N'essayez pas d'allumer un appareil.
 - Ne touchez à aucun interrupteur électrique; n'utilisez aucun téléphone dans votre immeuble.
 - Appelez immédiatement votre fournisseur de gaz depuis le téléphone d'un voisin. Suivez les instructions du fournisseur de gaz.
- Si vous ne pouvez pas joindre votre fournisseur de gaz, appelez le service d'incendie.
- C. Utilisez uniquement votre main pour enfoncer ou tourner le bouton de commande de gaz. N'utilisez jamais d'outils. Si le bouton ne s'enfonce pas ou ne tourne pas à la main, n'essayez pas de le réparer, appelez un technicien de service qualifié. Forcer ou tenter de réparer peut provoquer un incendie ou une explosion.
- D. N'utilisez pas cet appareil si une partie a été sous l'eau. Appelez immédiatement un technicien qualifié pour inspecter l'appareil et remplacer toute partie du système de commande et toute commande de gaz qui ont été sous l'eau.

INSTRUCTIONS D'ÉCLAIRAGE

1. ARRÊTEZ! Lisez les informations de sécurité ci-dessus sur cette étiquette.
2. Lisez attentivement les instructions d'éclairage avant de commencer la procédure.
3. S'il est équipé d'un registre de ventilation, réglez le thermostat de la pièce au réglage le plus élevé et attendez deux (2) minutes pour que le registre s'ouvre.
4. Coupez l'alimentation électrique de l'appareil.
5. Réglez le thermostat d'ambiance sur le réglage le plus bas.
6. Retirez la porte avant.
7. Localisez la vanne de contrôle du gaz à l'extrémité du tuyau d'alimentation en gaz entrant dans la chaudière.
Le bouton de commande de gaz est le bouton en plastique gris ou brun situé sur le dessus de la soupape de commande de gaz.

8. Appuyez légèrement sur le bouton de commande de gaz et tournez-le dans le sens des aiguilles  d'une montre sur "OFF"
REMARQUE: le bouton ne peut pas être tourné de "PILOT" à "OFF" à moins que le bouton ne soit légèrement enfoncé. Ne force pas.
9. Attendez cinq (5) minutes pour éliminer tout gaz. Sentez ensuite le gaz, y compris près du sol. Si vous sentez du gaz, ARRÊTEZ! Suivez "B" dans les informations de sécurité ci-dessus sur cette étiquette. Si vous ne sentez pas de gaz, passez à l'étape suivante. REMARQUE: Le registre de ventilation doit être ouvert pendant cette période d'attente de cinq (5) minutes.
10. Retirez le panneau d'accès au brûleur.
11. Trouvez le pilote en suivant le tube en aluminium de la soupape de commande de gaz au pilote situé entre les brûleurs à tube en acier.

12. Tournez le bouton de commande de gaz dans le sens antihoraire  à la position "PILOT".
13. Appuyez à fond sur le bouton de commande et maintenez-le enfoncé. Allumez immédiatement le pilote avec une allumette. Continuez à maintenir le bouton de commande pendant environ une (1) minute après que le pilote est allumé. Relâchez le bouton et il reviendra. Le pilote doit rester allumé. S'il s'éteint, répétez les étapes 8 à 13.
 - Si le bouton ne s'ouvre pas lorsqu'il est relâché, arrêtez-vous et appelez immédiatement votre technicien de service ou votre fournisseur de gaz.
 - Si le pilote ne reste pas allumé après plusieurs essais, tournez le bouton de commande de gaz sur "OFF" et appelez votre technicien de service ou votre fournisseur de gaz.
14. Remettez en place le panneau d'accès au brûleur.
15. Tournez le bouton de commande de gaz dans le sens antihoraire  à la position "ON"
16. Remettez la porte avant en place.
17. Coupez l'alimentation électrique de l'appareil.
18. Réglez le thermostat d'ambiance sur le réglage souhaité.

POUR ÉTEINDRE LE GAZ DE L'APPAREIL


1. Réglez le thermostat sur le réglage le plus bas.
2. Coupez toute alimentation électrique de l'appareil si l'entretien doit être effectué.
3. Retirez la porte avant.
4. Appuyez légèrement sur le bouton de commande de gaz et tournez-le dans le sens des aiguilles  d'une montre sur «OFF». Ne force pas.
5. Remettez la porte avant en place.

Figure 40: Instructions d'allumage (veilleuse debout 24 V)

FOR YOUR SAFETY READ BEFORE OPERATING

WARNING: If you do not follow these instructions exactly, a fire or explosion may result causing property damage, personal injury, or loss of life.

- A. This appliance is equipped with an ignition device which automatically lights the pilot. Do not try to light the pilot by hand.
- B. BEFORE OPERATING smell all around the appliance area for gas. Be sure to smell next to the floor because some gas is heavier than air and will settle on the floor.

WHAT TO DO IF YOU SMELL GAS:

- Do not try to light any appliance.
- Do not touch any electric switch; do not use any phone in your building.
- Immediately call your gas supplier from a neighbor's phone. Follow the gas supplier's instructions.

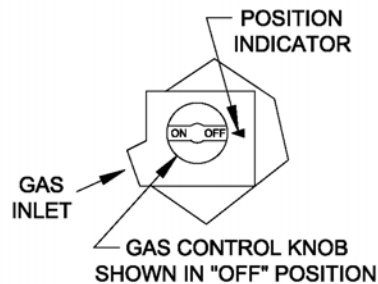
- If you cannot reach your gas supplier, call the fire department.

- C. Use only your hand to turn the gas control knob. Never use tools. If the knob will not turn by hand, don't try to repair it, call a qualified service technician. Force or attempted repair may result in a fire or explosion.
- D. Do not use this appliance if any part has been under water. Immediately call a qualified service technician to inspect the appliance and to replace any part of the control system and any gas control which has been under water.

OPERATING INSTRUCTIONS

1. STOP! Read the safety information above on this label.
2. Set the thermostat to lowest setting.
3. Turn off all electric power to the appliance.
4. This appliance is equipped with an ignition device which automatically lights the pilot. Do not try to light the pilot by hand.
5. Remove front door.

6. Locate the gas control valve at the end of the gas supply pipe going into the boiler. The gas control knob is the gray or brown plastic knob located on top of the gas control valve.



7. Rotate gas control knob clockwise from "ON" position to "OFF". Make sure knob rests against stop.
8. Wait five (5) minutes to clear out any gas. Then smell for gas, including near the floor. If you smell gas, STOP! Follow "B" in the safety information above on this label. If you do not smell gas, go to the next step.
9. Rotate gas control knob counterclockwise from "OFF" to "ON". Make sure knob rests against stop. Do not force.
10. Replace front door.
11. Turn on all electric power to the appliance.
12. Set thermostat to desired setting.
13. If the appliance will not operate, follow the instructions "TO TURN OFF GAS TO APPLIANCE" and call your service technician or gas supplier.

TO TURN OFF GAS TO APPLIANCE

1. Set the thermostat to the lowest setting.
2. Turn off all electric power to the appliance if service is to be performed.
3. Remove front door.

4. Rotate gas control knob clockwise from "ON" position to "OFF". Make sure knob rests against stop.
5. Replace front door.

Figure 41: Operating Instructions (EI)

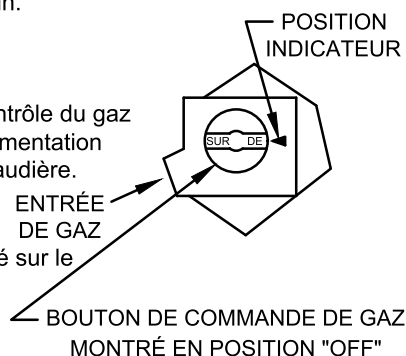
POUR VOTRE SÉCURITÉ, LIRE AVANT D'UTILISER

AVERTISSEMENT: Si vous ne suivez pas exactement ces instructions, un incendie ou une explosion peut en résulter, causant des dommages matériels, des blessures corporelles ou la mort.

- A. Cet appareil est équipé d'un dispositif d'allumage qui allume automatiquement le pilote. N'essayez pas d'allumer le pilote à la main.
- B. AVANT D'UTILISER une odeur de gaz autour de l'appareil. Assurez-vous de sentir à côté du sol car certains gaz sont plus lourds que l'air et se déposent sur le sol.
- QUE FAIRE SI VOUS SENTEZ UNE ODEUR DE GAZ:**
- ◆ N'essayez pas d'allumer un appareil.
 - ◆ Ne touchez à aucun interrupteur électrique; n'utilisez aucun téléphone dans votre immeuble.
 - ◆ Appelez immédiatement votre fournisseur de gaz depuis le téléphone d'un voisin. Suivez les instructions du fournisseur de gaz.
- C. Utilisez uniquement votre main pour tourner le bouton commande de gaz. N'utilisez jamais d'outils. Si le bouton ne tourne pas à la main, n'essayez pas de le réparer, appelez un technicien de maintenance qualifié. Forcer ou tenter une réparation peut entraîner un incendie ou une explosion.
- D. N'utilisez pas cet appareil si une pièce a été sous l'eau. Appelez immédiatement un technicien qualifié pour inspecter l'appareil et remplacer toute partie du système de commande et toute commande de gaz qui ont été sous l'eau.

MODE D'EMPLOI

1. ARRÊTEZ! Lisez les informations de sécurité ci-dessus sur cette étiquette.
2. Réglez le thermostat au réglage le plus bas.
3. Coupez l'alimentation électrique de l'appareil.
4. Cet appareil est équipé d'un dispositif d'allumage qui allume automatiquement le pilote. N'essayez pas d'allumer le pilote à la main.
5. Retirez la porte avant.
6. Localisez la vanne de contrôle du gaz à l'extrémité du tuyau d'alimentation en gaz entrant dans la chaudière. Le bouton de commande de gaz est le bouton en plastique gris ou brun situé sur le dessus de la soupape de commande de gaz.



7. Tournez le bouton de commande de gaz dans le sens horaire ↻ de la position "ON" à "OFF". Assurez-vous que le bouton repose contre la butée.
8. Attendez cinq (5) minutes pour éliminer tout gaz. Sentez ensuite le gaz, y compris près du sol. Si vous sentez du gaz, ARRÊTEZ! Suivez "B" dans les informations de sécurité ci-dessus sur cette étiquette. Si vous ne sentez pas de gaz, passez à l'étape suivante.
9. Tournez le bouton de commande de gaz dans le sens antihoraire ↺ de "OFF" à "ON". Assurez-vous que le bouton repose contre la butée. Ne force pas.
10. Remettez la porte avant en place.
11. Coupez l'alimentation électrique de l'appareil.
12. Réglez le thermostat sur le réglage souhaité.
13. Si l'appareil ne fonctionne pas, suivez les instructions "POUR COUPER LE GAZ DE L'APPAREIL" et appelez votre technicien de service ou votre fournisseur de gaz.

POUR ÉTEINDRE LE GAZ DE L'APPAREIL

1. Réglez le thermostat sur le réglage le plus bas.
2. Coupez toute alimentation électrique de l'appareil si l'entretien doit être effectué.
3. Retirez la porte avant.
4. Tournez le bouton de commande de gaz dans le sens horaire ↻ de la position "ON" à "OFF". Assurez-vous que le bouton repose contre la butée.
5. Remettez la porte avant en place.

Figure 41: Mode d'emploi (EI)

FOR YOUR SAFETY READ BEFORE OPERATING

WARNING: If you do not follow these instructions exactly, a fire or explosion may result causing property damage, personal injury, or loss of life.

- A. This appliance is equipped with an ignition device which automatically lights the pilot. Do not try to light the pilot by hand.
- B. BEFORE OPERATING smell all around the appliance area for gas. Be sure to smell next to the floor because some gas is heavier than air and will settle on the floor.

WHAT TO DO IF YOU SMELL GAS:

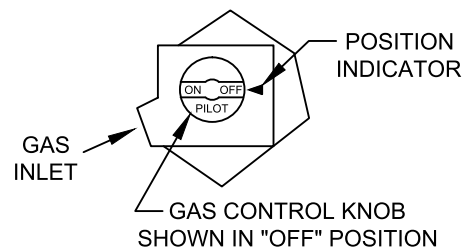
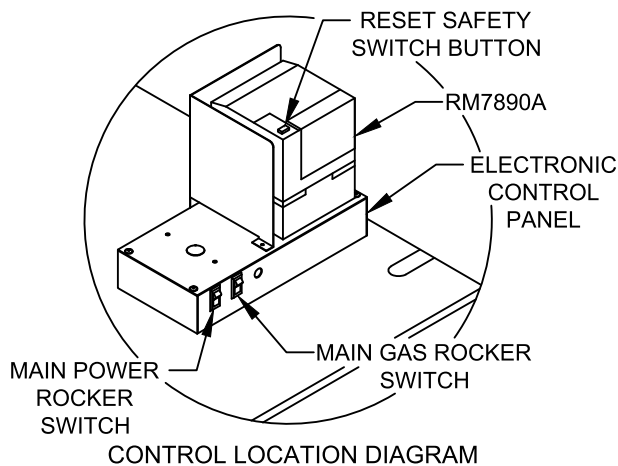
- Do not try to light any appliance.
- Do not touch any electric switch; do not use any phone in your building.
- Immediately call your gas supplier from a neighbor's phone. Follow the gas supplier's instructions.

• If you cannot reach your gas supplier, call the fire department.

- C. Use only your hand to push in or turn the gas control knob. Never use tools. If the knob will not push in or turn by hand, don't try to repair it, call a qualified service technician. Force or attempted repair may result in a fire or explosion.
- D. Do not use this appliance if any part has been under water. Immediately call a qualified service technician to inspect the appliance and to replace any part of the control system and any gas control which has been under water.

OPERATING INSTRUCTIONS

1. STOP! Read the safety information above on this label.
2. Set the thermostat to lowest setting.
3. Turn off all electric power to the appliance.



4. **EP SYSTEM:** Flip both rocker switches to "O" position (off).
5. This appliance is equipped with an ignition device which automatically lights the pilot. Do not try to light the pilot by hand.
6. Remove front door.
7. Open manual pilot valve (CSD-1 Boilers Only).
8. Locate the gas control valve at the end of the gas supply pipe going into the boiler. The gas control knob is the knob located on top of the gas valve (see diagram to right).
9. Rotate gas control knob clockwise from "ON" position to "OFF". Make sure knob rests against stop.
10. Wait five (5) minutes to clear out any gas. Then smell for gas, including near the floor. If you smell gas, STOP! Follow "B" in the safety information above on this label. If you do not smell gas, go to the next step.

11. Turn gas control knob counterclockwise from "OFF" to "PILOT". When the proper position is reached the gas control knob will pop up.
12. Turn on all electric power to the appliance.
13. Set the thermostat or operating control to desired setting.
14. **EP SYSTEM**
 - See control location diagram. On the electronic control panel, flip the main power rocker switch to "I" position (on). The "POWER" status indicator will light.
 - The pilot will light electronically. If pilot failure occurs, the "ALARM" indicator will light. In case of pilot failure, proceed to step 11.
 - Turn gas control knob counterclockwise to "ON".
 - On the electronic control panel, flip the main gas valve rocker switch to "I" position (on). The "MAIN" gas valve indicator will light. Main burners will operate. "MAIN" gas valve indicator will cycle on and off at the same time as the thermostat or operating control and the main burners.
15. Replace front door.
16. If the appliance will not operate, follow the instructions "TO TURN OFF GAS TO APPLIANCE" and call your service technician or gas supplier.

TO TURN OFF GAS TO APPLIANCE

1. Set the thermostat to the lowest setting.
2. Turn off all electric power to the appliance if service is to be performed.
3. Remove front door.

4. Rotate gas control knob clockwise from "ON" position to "OFF". Make sure knob rests against stop.
5. Close manual pilot valve (CSD-1 Boilers Only).
6. Replace front door.

Figure 42: Operating Instructions (EP and EP-CSD-1)

POUR VOTRE SÉCURITÉ, LIRE AVANT D'UTILISER

AVERTISSEMENT: Si vous ne suivez pas exactement ces instructions, un incendie ou une explosion peut en résulter, causant des dommages matériels, des blessures corporelles ou la mort.

A. Cet appareil est équipé d'un dispositif d'allumage qui allume automatiquement le pilote. N'essayez pas d'allumer le pilote à la main.

B. AVANT D'UTILISER une odeur de gaz autour de l'appareil. Assurez-vous de sentir à côté du sol car certains gaz sont plus lourds que l'air et se déposent sur le sol.

QUE FAIRE SI VOUS SENTEZ UNE ODEUR DE GAZ:

- N'essayez pas d'allumer un appareil.
- Ne touchez à aucun interrupteur électrique; n'utilisez aucun téléphone dans votre immeuble.
- Appelez immédiatement votre fournisseur de gaz depuis le téléphone d'un voisin. Suivez les instructions du fournisseur de gaz.

• Si vous ne pouvez pas joindre votre fournisseur de gaz, appelez les pompiers.

C. Utilisez uniquement votre main pour enfoncer ou tourner le bouton de commande de gaz. N'utilisez jamais d'outils. Si le bouton ne s'enfonce pas ou ne tourne pas à la main n'essayez pas de le réparer, appelez un technicien de maintenance qualifié. Forcer ou tenter une réparation peut entraîner un incendie ou une explosion.

D. N'utilisez pas cet appareil si une pièce a été sous l'eau. Appelez immédiatement un technicien qualifié pour inspecter l'appareil et remplacer toute partie du système de commande et toute commande de gaz qui ont été sous l'eau.

MODE D'EMPLOI

1. ARRÊTEZ! Lisez les informations de sécurité ci-dessus sur cette étiquette.
2. Réglez le thermostat au réglage le plus bas.
3. Coupez l'alimentation électrique de l'appareil.

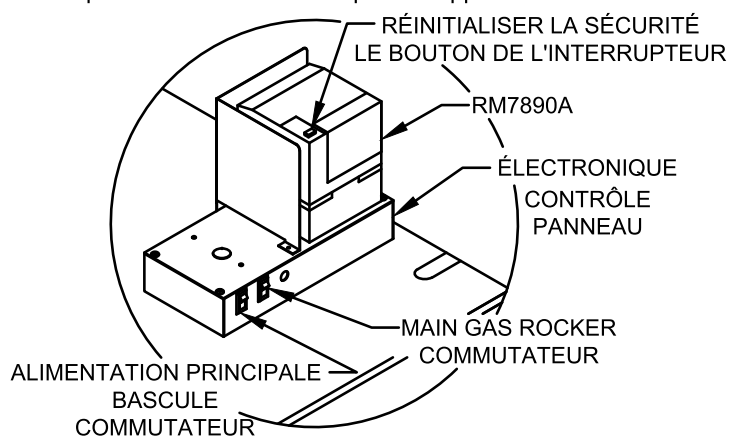
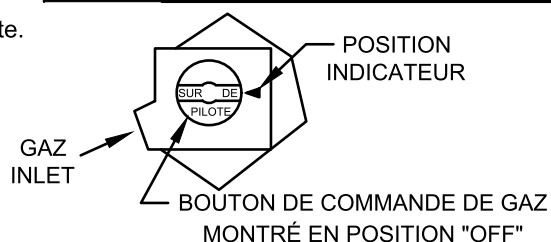


DIAGRAMME D'EMPLACEMENT DES COMMANDES

4. **SYSTÈME EP:** Basculez les deux interrupteurs à bascule en position "O" (arrêt).
5. Cet appareil est équipé d'un dispositif d'allumage qui allume automatiquement le pilote. N'essayez pas d'allumer le pilote à la main.
6. Retirez la porte avant.
7. Ouvrir la vanne pilote manuelle (chaudières CSD-1 uniquement).
8. Localisez la vanne de contrôle du gaz à l'extrémité du tuyau d'alimentation en gaz entrant dans la chaudière. Le bouton commande de gaz est le bouton situé en haut de la vanne de gaz (voir le schéma à droite).
9. Tournez le bouton de commande de gaz dans le sens horaire de la position "ON" à "OFF". Assurez-vous que le bouton repose contre la butée.
10. Attendez cinq (5) minutes pour éliminer tout gaz. Sentez ensuite le gaz, y compris près du sol. Si vous sentez du gaz, ARRÊTEZ! Suivez "B" dans les informations de sécurité ci-dessus sur cette étiquette. Si vous ne sentez pas de gaz, passez à l'étape suivante.



11. Tournez le bouton de commande de gaz dans le sens antihoraire de "OFF" à "PILOT". Lorsque la position correcte est atteinte, le bouton de commande de gaz s'affiche.
12. Coupez l'alimentation électrique de l'appareil.
13. Réglez le thermostat ou la commande de fonctionnement sur les paramètres souhaités.
14. **SYSTÈME EP**
 - Voir le schéma de l'emplacement des commandes. Sur le panneau de commande électronique, basculez l'interrupteur à bascule d'alimentation principale en position "I" (on). L'indicateur d'état "POWER" s'allume.
 - Le pilote s'allumera électroniquement. En cas de panne du pilote, le voyant "ALARME" s'allume. En cas de panne du pilote, le voyant "ALARME" s'allume. En cas de panne du pilote, passez à l'étape 11.
 - Tournez le bouton de commande de gaz dans le sens antihoraire sur "ON".
 - Sur le panneau de commande électronique, basculez l'interrupteur à bascule de la soupape à gaz principale en position "I" (on). L'indicateur de soupape de gaz "MAIN" s'allume. Les brûleurs principaux fonctionneront. L'indicateur de soupape de gaz «PRINCIPAL» s'allume et s'éteint en même temps que le thermostat ou la commande de fonctionnement et les brûleurs principaux.
15. Remettez la porte avant en place.
16. Si l'appareil ne fonctionne pas, suivez les instructions "POUR COUPER LE GAZ DE L'APPAREIL" et appelez votre technicien de service ou votre fournisseur de gaz.

POUR ÉTEINDRE LE GAZ DE L'APPAREIL

1. Réglez le thermostat sur le réglage le plus bas.
2. Coupez toute alimentation électrique de l'appareil si l'entretien doit être effectué.
3. Retirez la porte avant.
4. Tournez le bouton de commande de gaz dans

le sens horaire de la position "ON" à "OFF". Assurez-vous que le bouton repose contre la butée.

5. Fermer la vanne pilote manuelle (chaudières CSD-1 uniquement).
6. Remettez la porte avant en place.

Figure 42: Mode d'emploi (EP et EP-CSD-1)

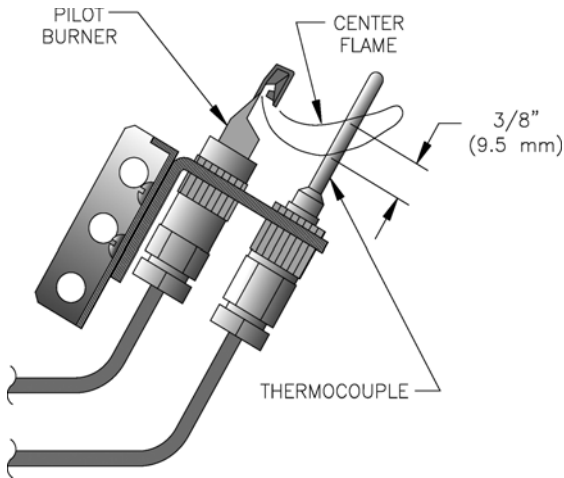


Figure 43: Honeywell Q314 Pilot Flame (24V Standing Pilot)

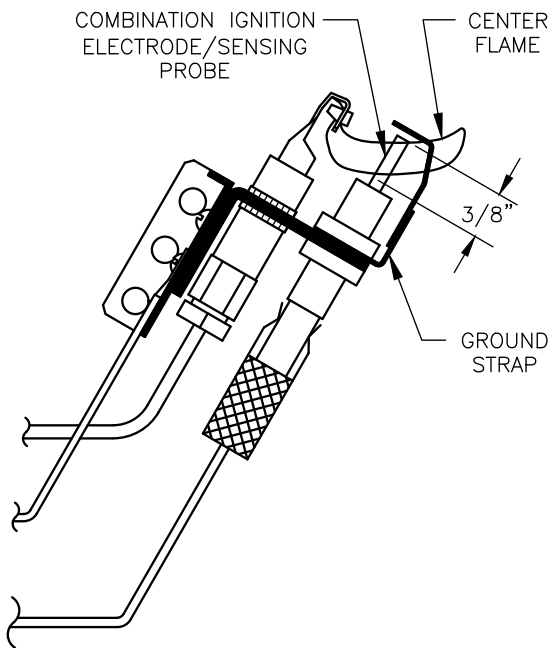


Figure 44: Honeywell Q3481B Pilot Flame (24V Electronic Ignition)

CAUTION

Avoid operating this boiler in an environment where saw dust, loose insulation fibers, dry wall dust, etc. are present. If boiler is operated under these conditions, the burner interior and ports must be cleaned and inspected daily to insure proper operation.

ATTENTION

Évitez de faire fonctionner cette chaudière dans un environnement contenant de la sciure de bois, des fibres isolantes lâches, de la poussière de paroi sèche, etc. Si la chaudière fonctionne dans ces conditions, l'intérieur et les orifices du brûleur doivent être nettoyés et inspectés quotidiennement pour assurer un bon fonctionnement.

- a. Loosen lock screw.
 - b. Close air adjustment until yellow tips appear on flames.
 - c. Slowly open air adjustment until clearly defined inner cones are visible.
 - d. Tighten lock screw.
4. Adjust thermostat to normal setting.

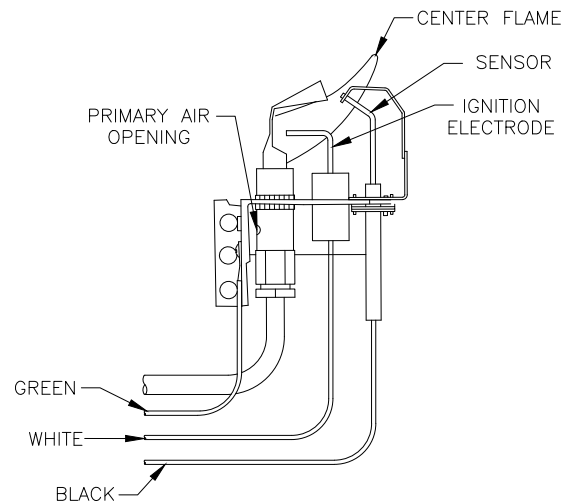


Figure 45: Honeywell Q3452B Pilot Flame (EP)

I. Check pilot burner flame and main burner flames through observation port.

1. Check pilot flame. Refer to Table 11 for appropriate pilot detail.
2. Adjust thermostat to highest setting.
3. Check main burner flames. See Figure 46. Flame should have clearly defined inner cones with no yellow tipping. Orange-yellow streaks caused by dust should not be confused with true yellow tipping.

Yellow-tipping indicates lack of primary air. Improper burner alignment on Main Burner Orifice will also affect primary air injection. Adjust primary air as follows:

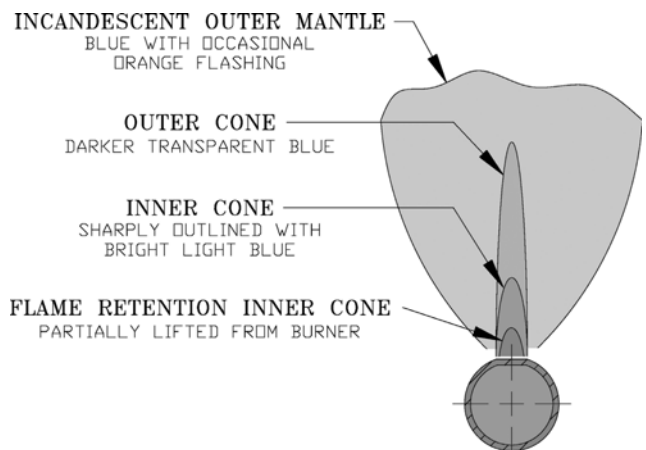


Figure 46: Main Burner Flame

J. Check thermostat or operating control operation.

Raise and lower temperature setting to start and stop boiler operation.

K. Check ignition system shut-off.

1. Standing Pilot (24V): Disconnect thermocouple lead at Gas Valve. Gas Valve must close and pilot and main burners extinguish. If not, replace the gas valve.
2. Honeywell EI: Disconnect ignitor/sensor cable from ignition module. Gas valve must close and pilot and main burners extinguish. If not, measure voltage across gas valve terminals “TH” and “TR”.
 - a. If voltage is not present, replace gas valve.
 - b. If voltage is present, replace ignition module.
3. EP: Refer to instructions supplied with the Honeywell RM7890 Burner Control.

L. Check Limit(s). NOTE: If using Model 805, see Installation and Operating manual for Hydrostat 3200, packed in envelope taped to top of boiler for packaged boilers and in parts and control carton for KD boilers for maintenance.

1. Adjust thermostat to highest setting.
2. Observe temperature gauge. When temperature exceeds limit set point main burners should extinguish.
3. Adjust limit to setting above observed reading. Main burners should reignite.
4. Adjust thermostat to lowest setting. Adjust limit to desired setting.

M. Adjust gas input rate to boiler. Natural Gas.

1. Adjust thermostat to highest setting.
2. Check manifold gas pressure. Manifold pressure is listed on rating label. Adjust gas valve pressure regulator as necessary (turn adjustment screw counterclockwise to decrease manifold pressure, or clockwise to increase manifold pressure). If pressure can not be attained, check gas valve inlet pressure. If less than minimum gas supply pressure listed on rating label, contact gas supplier for assistance.
3. Clock gas meter for at least 30 seconds. Use Table 12 to determine gas flow rate in Cubic Feet per Hour.
4. Determine Input Rate. Multiply gas flow rate by gas heating value.

Table 12: Input Rate

Seconds for One Revolution	Size of Gas Meter Dial			
	One-Half Cu. Ft.	One Cu. Ft.	Two Cu. Ft.	Five Cu. Ft.
30	60	120	240	600
32	56	113	225	563
34	53	106	212	529
36	50	100	200	500
40	45	90	180	450
38	47	95	189	474
40	45	90	180	450
42	43	86	172	430
44	41	82	164	410
46	39	78	157	391
48	37	75	150	375
50	36	72	144	360
52	35	69	138	346
54	33	67	133	333
56	32	64	129	321
58	31	62	124	310
60	30	60	120	300
62	29	58	116	290
64	29	56	112	281
66	29	54	109	273
68	28	53	106	265
70	26	51	103	257
72	25	50	100	250
74	24	48	97	243
76	24	47	95	237
78	23	46	92	231
80	22	45	90	225

5. Compare measured input rate to input rate stated on rating label.
 - a. Boiler must not be overfired. Reduce input rate by decreasing manifold pressure. Do not reduce more than 0.3 inch w.c. If boiler is still overfired, contact your Burnham distributor or Regional Office for replacement Gas Orifices.
 - b. Increase input rate if less than 98% of rating plate input. Increase manifold gas pressure no more than 0.3 inch w.c. If measured input rate is still less than 98% of rated input:
 - i. Remove Main Burners per procedure in Section IX: Service.
 - ii. Remove gas orifices. Drill one (1) drill size larger (drill size is stamped on orifice, or see Key No. 4E).
 - iii. Reinstall gas orifices and main burners. Measure input rate.
6. Recheck Main Burner Flame.
7. Return other gas-fired appliances to previous conditions of use.

⚠ WARNING

Failure to properly adjust gas input rate will result in over firing or under firing of the appliance. Improper and unsafe boiler operation may result.

⚠ ADVERTISSEMENT

Le défaut d'ajuster correctement le débit d'entrée de gaz entraînera une surchauffe ou une sous-combustion de l'appareil. Un fonctionnement incorrect et dangereux de la chaudière peut en résulter.

N. Adjust gas input rate to boiler. LP/Propane.

1. Set thermostat to highest setting.
2. Adjust tank regulator for gas valve inlet pressure of 13.5 inches w.c. or less.
3. Gas valve has step opening regulator which initially opens to 1.4 or 2.5 inch w.c. and steps to full pressure after approximately 30 seconds. Check manifold pressure after step has occurred. Adjust gas valve pressure regulator as necessary for 10.0 inches w.c. for 805/806H or 8 inches for 807/810HE (turn adjustment screw counterclockwise to decrease manifold pressure, or clockwise to increase manifold pressure). If this pressure can not be attained, check gas valve inlet pressure. If less than 11.0 inches w.c., contact gas supplier for assistance.

O. Clean Heating System

Oil, grease, and other foreign materials which accumulate in new hot water boilers and a new or reworked system should be boiled out, and then thoroughly flushed. A qualified water treatment chemical specialist should be consulted for recommendations regarding appropriate chemical compounds and concentrations which are compatible with local environmental regulations.

P. Check Damper Operation - If boiler is equipped with vent damper, vent damper must be in open position when boiler main burners are operating. Start boiler, refer to instructions on damper to determine if damper is in full open position.

Q. Install Front Removable Panel.

1. Engage top flange (longer of 2 flanges) behind Upper Front Panel.
2. Swing lower portion of door toward boiler.
3. Lower door to engage bottom flange behind Lower Front Tie Bar.

R. Combustion Chamber Burn-Off

1. The mineral wool combustion chamber panels contain a cornstarch based binder that must be burned out at installation to prevent odors during subsequent boiler operation.
2. Ventilate the boiler room, set the high limit to its maximum setting, set the thermostat to call for heat.
3. Allow the boiler to fire for at least an hour or until the odor from the cornstarch has dissipated.
4. Return the high limit and thermostat to their desired settings.

S. Review User's Information Manual and system operation with owner or operator.

Model 805 Only:

IMPORTANT

This boiler is equipped with a feature that saves energy by reducing the boiler water temperature as the heating load decreases. This feature is equipped with an override which is provided primarily to permit the use of an external energy management system that serves the same function. **THIS OVERRIDE MUST NOT BE USED UNLESS AT LEAST ONE OF THE FOLLOWING CONDITIONS IS TRUE:**

- An external energy management system is installed that reduces the boiler water temperature as the heating load decreases.
- This boiler is not used for any space heating.
- This boiler is part of a modular or multiple boiler system having a total input of 300,000 BTU/hr or greater.
- This boiler is equipped with a tankless coil.

IMPORTANT

Cette chaudière est équipée d'une fonction qui économise de l'énergie en réduisant la température de l'eau de la chaudière à mesure que la charge de chauffage diminue. Cette fonction est équipée d'une commande prioritaire qui est fournie principalement pour permettre l'utilisation d'un système de gestion d'énergie externe qui remplit la même fonction. **CETTE OVERRIDE NE DOIT PAS ÊTRE UTILISÉE À MOINS QU'UNE DES CONDITIONS SUIVANTES NE SOIT VRAIE:**

- Un système de gestion de l'énergie externe est installé qui réduit la chaudière température de l'eau lorsque la charge de chauffage diminue.
- Cette chaudière n'est pas utilisée pour le chauffage des locaux.
- Cette chaudière fait partie d'une installation modulaire ou multiple système de chaudière ayant une entrée totale de 300000 BTU / h ou plus.
- Cette chaudière est équipée d'une batterie sans réservoir.

IX. Service

WARNING

Service on this boiler should be undertaken only by trained and skilled personnel from a qualified service agency. Inspections should be performed at intervals specified in this manual. Maintain manual in a legible condition.

Keep boiler area clear and free of combustible materials, gasoline and other flammable vapors and liquids.

Do not place any obstructions in boiler room that will hinder flow of combustion and ventilation air.

The service instructions contained in this manual are in addition to the instructions provided by the manufacturer of the boiler components. Follow component manufacturer's instructions. Component manufacturer's instructions were provided with the boiler. Contact component manufacturer for replacement if instructions are missing. Do not install, start up, operate, maintain or service this boiler without reading and understanding all of the component instructions. Do not allow the boiler to operate with altered, disconnected or jumpered components. Only use replacement components identical to those originally supplied by Burnham Commercial.

WARNING

L'entretien de cette chaudière ne doit être effectué que par du personnel formé et qualifié d'une agence d'entretien qualifiée. Les inspections doivent être effectuées aux intervalles spécifiés dans ce manuel. Conservez le manuel dans un état lisible.

Gardez la zone de la chaudière dégagée et exempte de matériaux combustibles, d'essence et d'autres vapeurs et liquides inflammables.

Ne placez pas d'obstacles dans la chaufferie qui empêcheraient la circulation de l'air de combustion et de ventilation.

Les instructions d'entretien contenues dans ce manuel s'ajoutent aux instructions fournies par le fabricant des composants de la chaudière. Suivez les instructions du fabricant du composant. Les instructions du fabricant des composants ont été fournies avec la chaudière. Contactez le fabricant du composant pour le remplacement si les instructions sont manquantes. Ne pas installer, démarrer, faire fonctionner, entretenir ou entretenir cette chaudière sans lire et comprendre toutes les instructions des composants. Ne laissez pas la chaudière fonctionner avec des composants modifiés, déconnectés ou pontés. N'utilisez que des composants de remplacement identiques à ceux fournis à l'origine par Burnham Commercial.

A. General. Inspection and service must be conducted annually. Turn off electrical power and gas supply while conducting service or maintenance. Follow instructions TO TURN OFF GAS TO APPLIANCE. See Lighting/Operating Instructions on inside of Front Removable Door.

WARNING

Label all wires prior to disconnection when servicing controls. Wiring errors can cause improper and dangerous operation. Verify proper operation after servicing.

WARNING

Étiquetez tous les fils avant de les déconnecter lors de l'entretien des commandes. Les erreurs de câblage peuvent entraîner un fonctionnement incorrect et dangereux. Vérifiez le bon fonctionnement après l'entretien.

B. Maintenance of Low Water Cut-off (if used). Follow instruction manual provided with low water cut off. If model 805, see Installation and Operating manual for Hydrostat 3200, packed in envelope taped to top of boiler for packaged boilers and in parts and control carton for KD boilers for maintenance.

C. Vent System. Check for:

1. obstructions
2. accumulations of soot
3. deterioration of vent pipe or vent accessories due to condensation or other reasons
4. proper support—no sags, particularly in horizontal runs
5. tightness of joints. Remove all accumulations of soot with wire brush and vacuum

Remove all obstructions. Replace all deteriorated parts and support properly. Seal all joints.

D. Remove Main Burners for cleaning, changing orifice plugs, or repairs.

1. Shut down gas boiler in accordance with Lighting/ Operating Instructions on inside of Front Removable Door. Close Manual Shut-off Valve.
2. Remove Front Removable Door. Raise Lower Front Tie Bar.
3. Disconnect ignition system.
4. Remove burner access panel(s).
5. Mark location of Main Burner with Pilot Bracket on manifold.
6. Remove hitch pin clips from Main Burner Orifices.
7. Hold Main Burner on throat. Lift slightly to raise rear of burner. Push to rear of boiler until burner clears Main Burner Orifice. Lift burners out.
8. Check burners to be sure they do not contain foreign matter or restrictions. Clean burners with a soft bristle brush, blow any dirt out with compressed air or use a vacuum cleaner. See Figure 47.

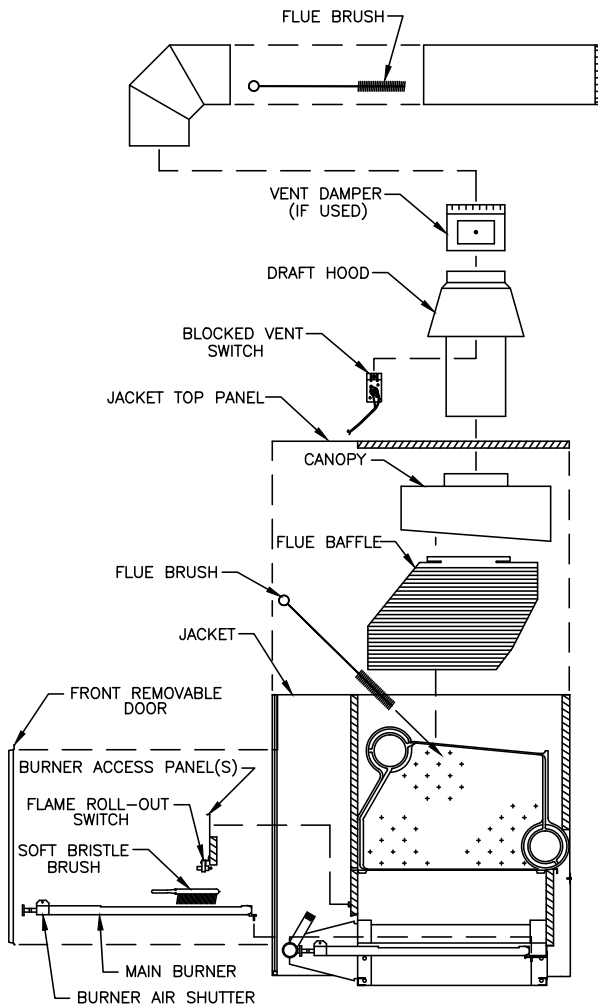
E. Clean Boiler Flueways. See Figure 47.

1. Shut down gas boiler in accordance with Lighting/ Operating Instructions on inside of Front Removable Door. Close Manual Shut-off Valve.

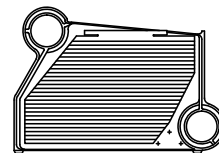
2. Disconnect vent system. Remove Draft Hood.
3. Remove Jacket Top Panel.
4. Remove Canopy from top of boiler.
5. Remove flue baffles. Refer to Figure 47 for instructions on how to remove baffles from flueways. Remove any accumulated scale or soot.
6. Thoroughly clean flueways with flue brush, removing all scale and soot. See Figure 47.
7. Clean boiler heating surface accessible from combustion chamber with straight handle wire brush.
8. Reinsert baffles into flueways by reversing steps given in Figure 47. Tabs at top of each baffle should rest on top of flue pins.
9. Install Canopy. See Section II: Boiler Assembly, Paragraph G.
10. Install Jacket Top Panel, Draft Hood, Vent Damper (if used) and Vent System.

F. Clean Combustion Chamber by vacuuming. Exercise care to avoid damaging Base Insulation.

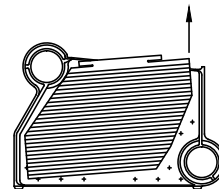
G. Install Burners by reversing procedures used to remove burners. Verify Main Burners are properly



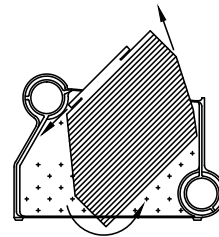
FLUE BAFFLE REMOVAL



1. PULL UP FROM REAR CORNER OF BAFFLE.



2. ROTATE BAFFLE INSIDE FLUEWAY WHILE CONTINUING TO RAISE REAR CORNER. IT MAY BE NECESSARY TO PUSH FRONT OF BAFFLE DEEPER INTO THE FLUEWAY TO COMPLETE THE ROTATION.



3. LIFT BAFFLE OUT OF FLUEWAY ONCE EDGES OF THE BAFFLE CLEAR THE EDGES OF THE FLUEWAY.

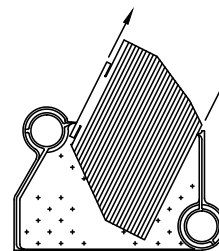


Figure 47: Boiler Flueway Cleaning

located on support bracket in Base Rear Panel, seated on Main Burner Orifices, and secured with hitch pin clips. Verify Main Burner with Pilot Bracket is in proper location. See Table 13.

H. Lubrication. Manufacturers Instruction should be followed on all parts installed on boiler requiring lubrication. This includes type of lubricant to be used, frequency of lubrication, and points to lubricate.

I. Check operation. Refer to Section VIII: System Start-up.

Table 13: Pilot Burner Location

Boiler Model	Pilot Located Between Burners*
805H	4 & 5
806H	5 & 6
807HE	6 & 7
808HE	6 & 7
809HE	7 & 8
810HE	8 & 9

* Burners numbered left to right as viewed from front of boiler.

Honeywell EI Ignition Module Yellow LED Flame Codes

Yellow LED Flash Code ^a	Indicates	Recommended Service Action
Heartbeat	Normal Flame Signal	N/A
2	Weak Flame Signal - System will operate reliably but flame signal is less than desired. Note: This indication may flash temporarily during or shortly after lightoff on some applications.	Perform routine maintenance to assure optimum flame signal.
1	Marginal Flame Signal (less than 1.1 μ A) - System may not operate reliably over time. Service call recommended. Note: This indication may flash temporarily during or shortly after lightoff on some applications.	Check gas supply, pilot burner, flame sense wiring, contamination of flame rod, burner ground connection.
OFF	No Flame or Flame Signal - below minimum threshold for system operation.	N/A

^aFlash Code Descriptions

- Heartbeat: Constant ½ second bright, ½ second dim cycles.
- The flash code number signifies that the LED flashes X times at 2Hz, remains off for two seconds, and then repeats sequence.

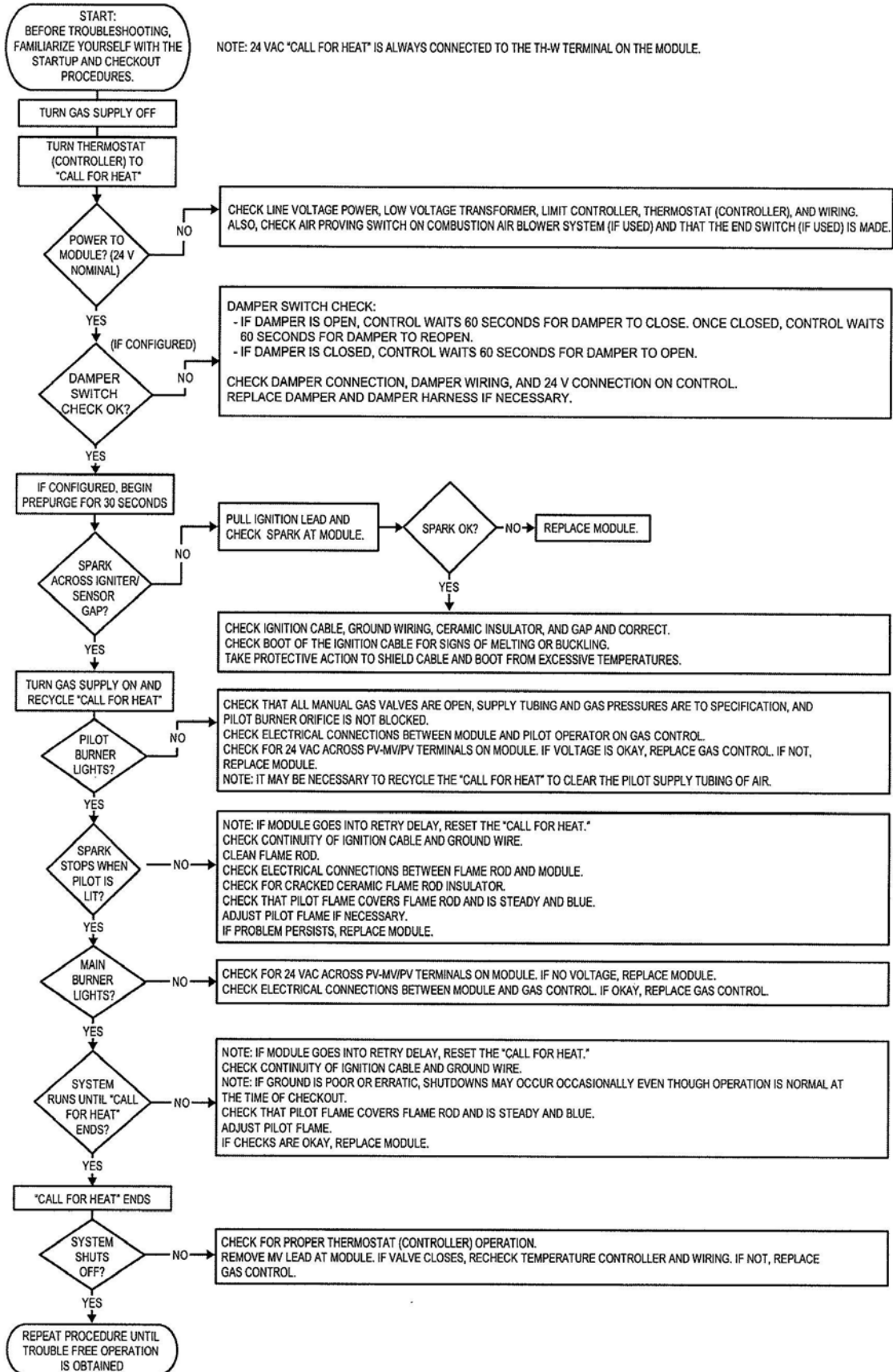
Honeywell EI Ignition Module Green LED Status Codes

Green LED Flash Code (X + Y) ^a	Indicates	Next System Action	Recommended Service Action
OFF	No "Call for Heat"	N/A	None
Flash Fast	Startup - Flame sense calibration	N/A	None
Heartbeat	Normal operation	N/A	None
2	5 minute Retry Delay- Pilot flame not detected during trial for ignition	Initiate new trial for ignition after retry delay completed.	If system fails to light on next trial for ignition check gas supply, pilot burner, spark and flame sense wiring, flame rod contamination or out of position, burner ground connection.
3	Recycle- Flame failed during run	Initiate new trial for ignition. Flash code will remain through the ignition trial until flame is proved.	If system fails to light on next trial for ignition check gas supply, pilot burner, flame sense wiring, flame rod contamination, burner ground connection.
4	Flame sensed out of sequence	If situation self corrects within 10 seconds, control returns to normal sequence. If flame out of sequence remains longer than 10 seconds, control goes to Flash code 6+4 (see below)	Check for pilot flame. Replace gas valve if pilot flame present. If no pilot flame, cycle "Call for Heat." If error repeats, replace control.
7	Flame sense leakage to ground	Control remains in wait mode. When the fault corrects, control resumes normal operation after a one minute delay.	Check flame sense lead wire for damage or shorting. Check that flame rod is in proper position. Check flame rod ceramic for cracks, damage or tracking.
8	Low secondary voltage supply- (below 15.5 Vac)	Control remains in wait mode. When the fault corrects, control resumes normal operation after one minute delay.	Check transformer and AC line for proper input voltage to the control. Check with full system load on the transformer.
6 + 2	5 minute Retry Delay- On every third retry on same "Call for Heat"	Initiate new trial for ignition after retry delay completed.	Check gas supply, pilot burner, spark and flame sense wiring, flame rod contamination or out of position, burner ground connection.
6 + 3	On every 6th flame failure during run on the same "Call for Heat"	5 minute retry delay, then initiate new trial for ignition.	Check gas supply, pilot burner, flame sense wiring, contamination of flame rod, burner ground connection.
6 + 4	Flame sensed out of sequence- longer than 10 seconds	Control waits until flame is no longer sensed and then goes to soft lockout. Flash code continues. Control auto resets from soft lockout after one hour.	Check for pilot flame. Replace gas valve if pilot flame present. If no pilot flame, cycle "Call for Heat." If error repeats, replace control.
ON	Soft lockout due to error detected during self check sequences	Control auto resets from soft lockout after one hour.	Reset by cycling "Call for Heat." If error repeats, replace the control

^aFlash Code Descriptions:

- Flash Fast: rapid blinking
- Heartbeat: Constant ½ second bright, ½ second dim cycles.
- A single flash code number signifies that the LED flashes X times at 2Hz, remains off for two seconds, and then repeats the sequence.
- X + Y flash codes signify that the LED flashes X times at 2Hz, remains off for two seconds, flashes Y times at 2 Hz, remains off for three seconds, and then repeats the sequence.

Honeywell EI Trouble Shooting Guide

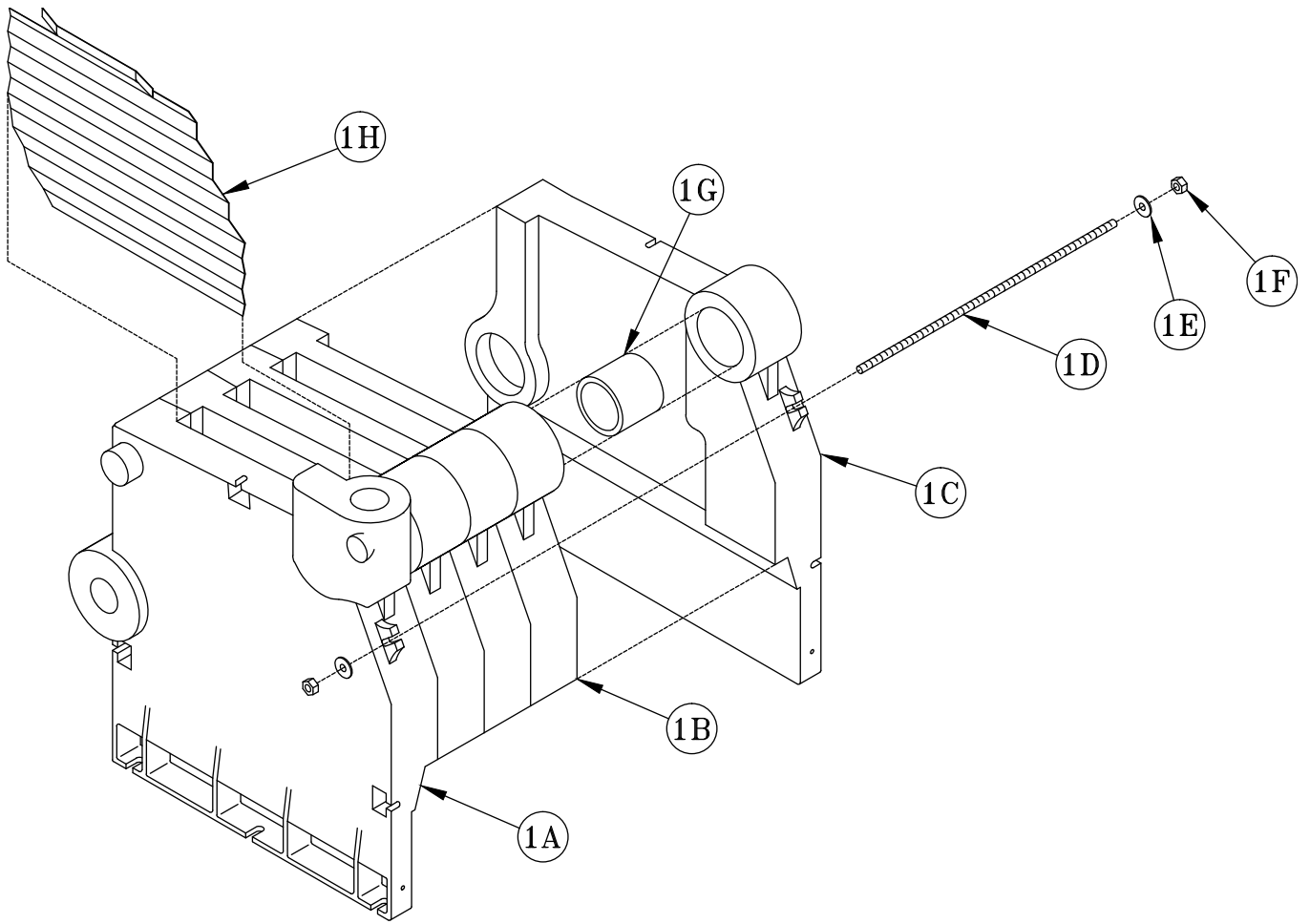


X. Repair Parts

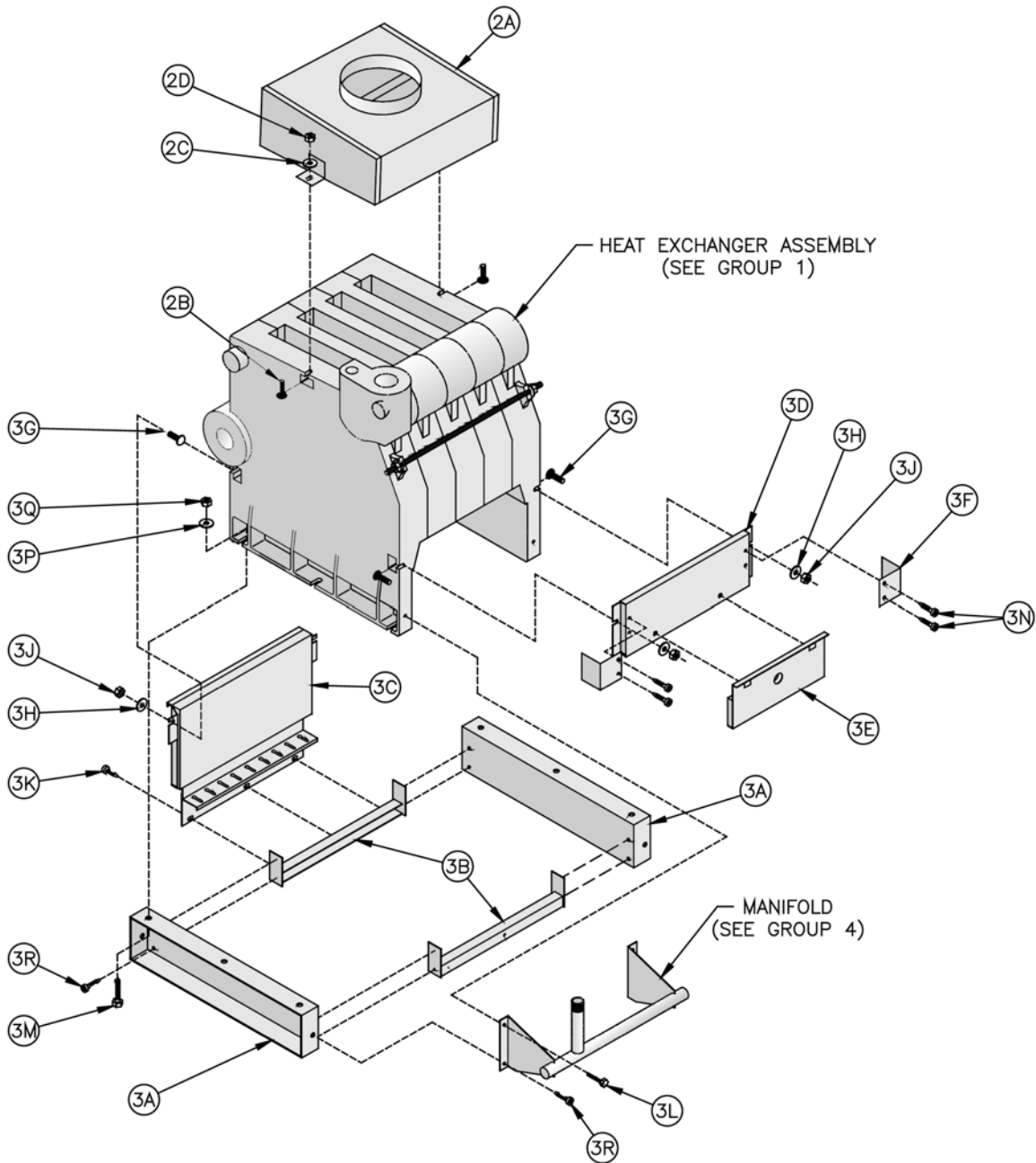
For service or repairs to boiler, call your heating contractor. When seeking information on boiler, provide Boiler Model Number and Serial Number as shown on Rating Label.

Boiler Model Number _8_ _ _ _ _ - _ _ _ _ _	Boiler Serial Number 6_ _ _ _ _	Installation Date
Heating Contractor		Phone Number
Address		

All Series 8H / 8HE Repair Parts may be obtained through your local Burnham Wholesale distributor. Should you require assistance in locating a Burnham Distributor in your area, or have questions regarding the availability of Burnham products or repair parts, please contact Burnham Customer Service at: 888-791-3790 or Fax (717) 293-5803.



Item No.	Description	Part No.	Quantity					
			805H	806H	807HE	808HE	809HE	810HE
1. Heat Exchanger Assembly								
1	Complete (Less Flue Baffles)	6171605	1	---	---	---	---	---
		6171606	---	1	---	---	---	---
		6171607	---	---	1	---	---	---
		6171608	---	---	---	1	---	---
		6171609	---	---	---	---	1	---
		6171610	---	---	---	---	---	1
1A	Left End Section	7171601	1	1	1	1	1	1
1B	Intermediate Section	7171603	3	4	5	6	7	8
1C	Right End Section	7171602	1	1	1	1	1	1
1D	Tie Rod	80861032	1	---	---	---	---	---
		80861033	---	1	---	---	---	---
		80861013	---	---	1	---	---	---
		80861034	---	---	---	1	---	---
		80861035	---	---	---	---	1	---
		80861036	---	---	---	---	---	1
1E	Washer	80860600	4	4	4	4	4	4
1F	Nut	80860400	4	4	4	4	4	4
1G	Slip Nipple, 3"	7066002	8	10	12	14	16	18
		7111622	4	5	---	---	---	---
1H	Flue Baffle	7111623	---	---	6	7	8	9

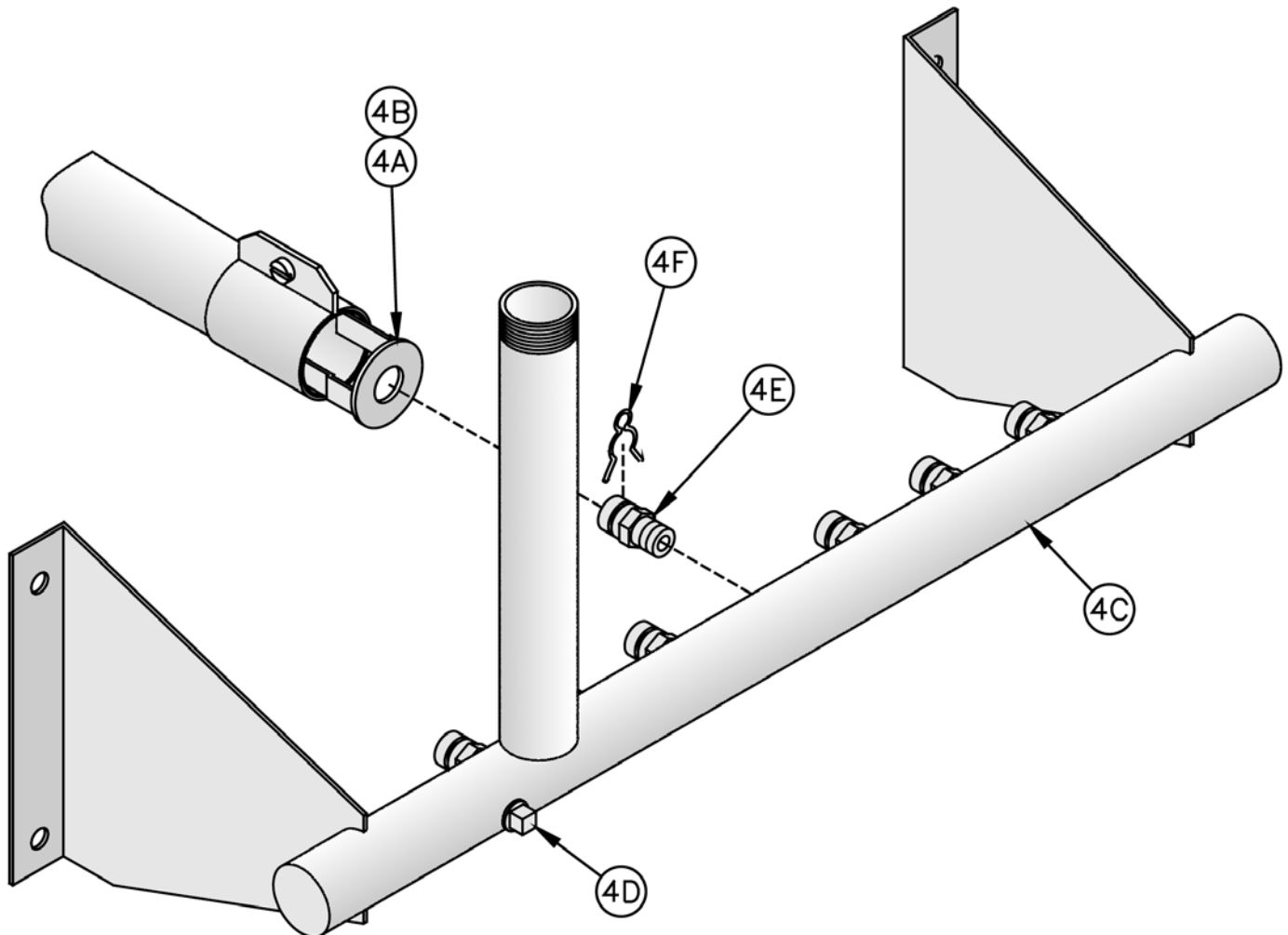


Item No.	Description	Part No.	Quantity					
			805H	806H	807HE	808HE	809HE	810HE
2. Canopy								
2A	Canopy	6111605	1	---	---	---	---	---
		6111606	---	1	---	---	---	
		61116071	---	---	1	---	---	
		6111608	---	---	---	1	---	
		61116091	---	---	---	---	1	
		61116110	---	---	---	---	---	1
2B	Bolt, Carriage, ¼ - 20 x 1"	80860115	2	2	2	2	2	2
2C	Washer, ¼" Flat	80860603	2	2	2	2	2	2
2D	Nut, ¼" - 20	80860407	2	2	2	2	2	2

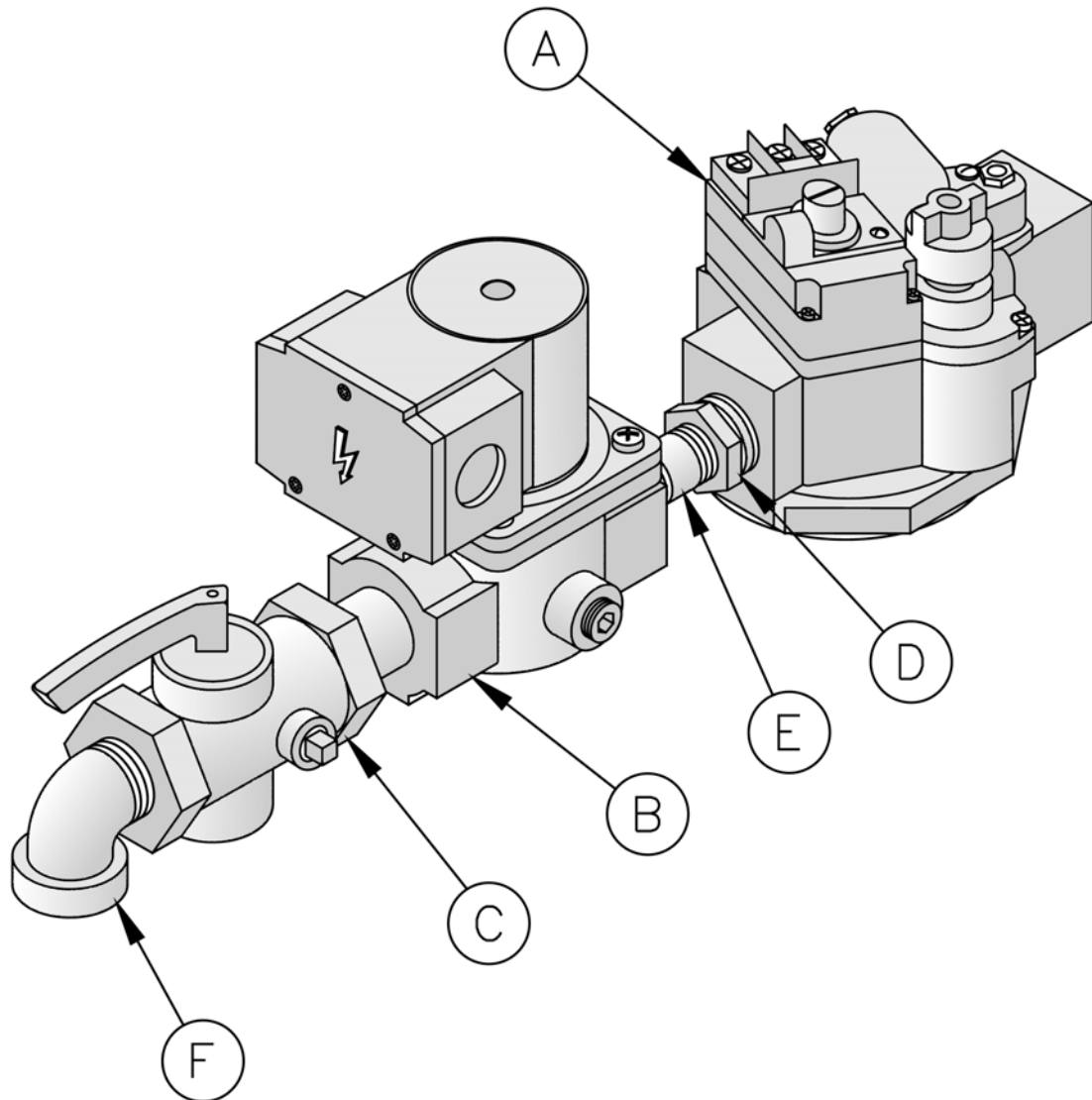
Item No.	Description	Part No.	Quantity					
			805H	806H	807HE	808HE	809HE	810HE
3. Base Assembly								
3A	Base End Panel	7181601	2	2	2	2	2	2
3B	Base Channel Assembly	61816052	2	---	---	---	---	---
		61816062	---	2	---	---	---	---
		61816072	---	---	2	---	---	---
		61816082	---	---	---	2	---	---
		61816092	---	---	---	---	2	---
		61816102	---	---	---	---	---	2
3C	Base Rear Panel Assembly	61816051	1	---	---	---	---	---
		61816061	---	1	---	---	---	---
		61816071	---	---	1	---	---	---
		61816081	---	---	---	1	---	---
		61816091	---	---	---	---	1	---
		61816101	---	---	---	---	---	1
3D	Base Front Panel Assembly	61816053	1	---	---	---	---	---
		61816063	---	1	---	---	---	---
		61816073	---	---	1	---	---	---
		61816083	---	---	---	1	---	---
		61816093	---	---	---	---	1	---
		61816103	---	---	---	---	---	1
3E	Burner Access Panel Assembly	61816054	1	---	---	---	---	---
		61816064	---	1	---	---	---	---
		61816074	---	---	1	---	---	---
		61816084	---	---	---	2	---	---
		61816094	---	---	---	---	2	---
		61816104	---	---	---	---	---	2
3F	Jacket Attachment Bracket	7041601	4	4	4	4	4	4
3G	Bolt, Carriage, ¼ - 20 x 1¼"	80860106	4	4	4	4	4	4
3H	Washer, ¼" Flat	80860603	4	4	4	4	4	4
3J	Nut, ¼ - 20	80860407	4	4	4	4	4	4
3K	Screw, Self Tapping, ¼ - 20 x ½"	80860700	3	4	4	5	5	6
3L	Screw, Cap, Hex Head, 5/16" - 18 x ¾"	80861302	2	2	2	2	2	2
3M	Screw, Cap, Hex Head, 5/16 - 18 x 1¼"	80861311	6	6	6	6	6	6
3N	Screw, Sheet Metal, #8 x ½"	80860000	8	8	8	8	8	8
3P	Washer, 3/8" Flat	80860600	6	6	6	6	6	6
3Q	Nut, 5/16"	80860403	6	6	6	6	6	6
3R	Screw, Self Tapping, ¼ - 20 x ¾"	80860702	10	10	10	10	10	10

Item No.	Description	Part No.	Quantity					
			805H	806H	807HE	808HE	809HE	810HE
4. Manifold and Main Burners								
4A	Main Burner	8231602	8	10	12	15	17	19
4B	Main Burner with Pilot Bracket, Standing Pilot (24V)	8231601	---	1	1	1	1	1
	Main burner with Pilot Bracket, Honeywell EI	8231604	1	1	1	1	1	1
	Main burner with Pilot Bracket, EP	8231603	---	1	1	1	1	1
4C	Manifold	82216051	1	---	---	---	---	---
		82216061	---	1	---	---	---	---
		82216071	---	---	1	---	---	---
		82216081	---	---	---	1	---	---
		82216091	---	---	---	---	1	---
		82216101	---	---	---	---	---	1
4D	Pipe Plug, 1/8 NPT (Included with 4C)	---	1	1	1	1	1	1
4E	Main Burner Orifice, #39 (Natural Gas Only)*	822603	9	11	---	---	---	---
	Main Burner Orifice, #41 (Natural Gas Only) *	822627	---	---	13	16	18	20
	Main Burner Orifice, #53 (LP/Propane Only) *	8226002	9	11	13	16	18	20
4F	Hitch Pin Clip	822604	9	11	13	16	18	20

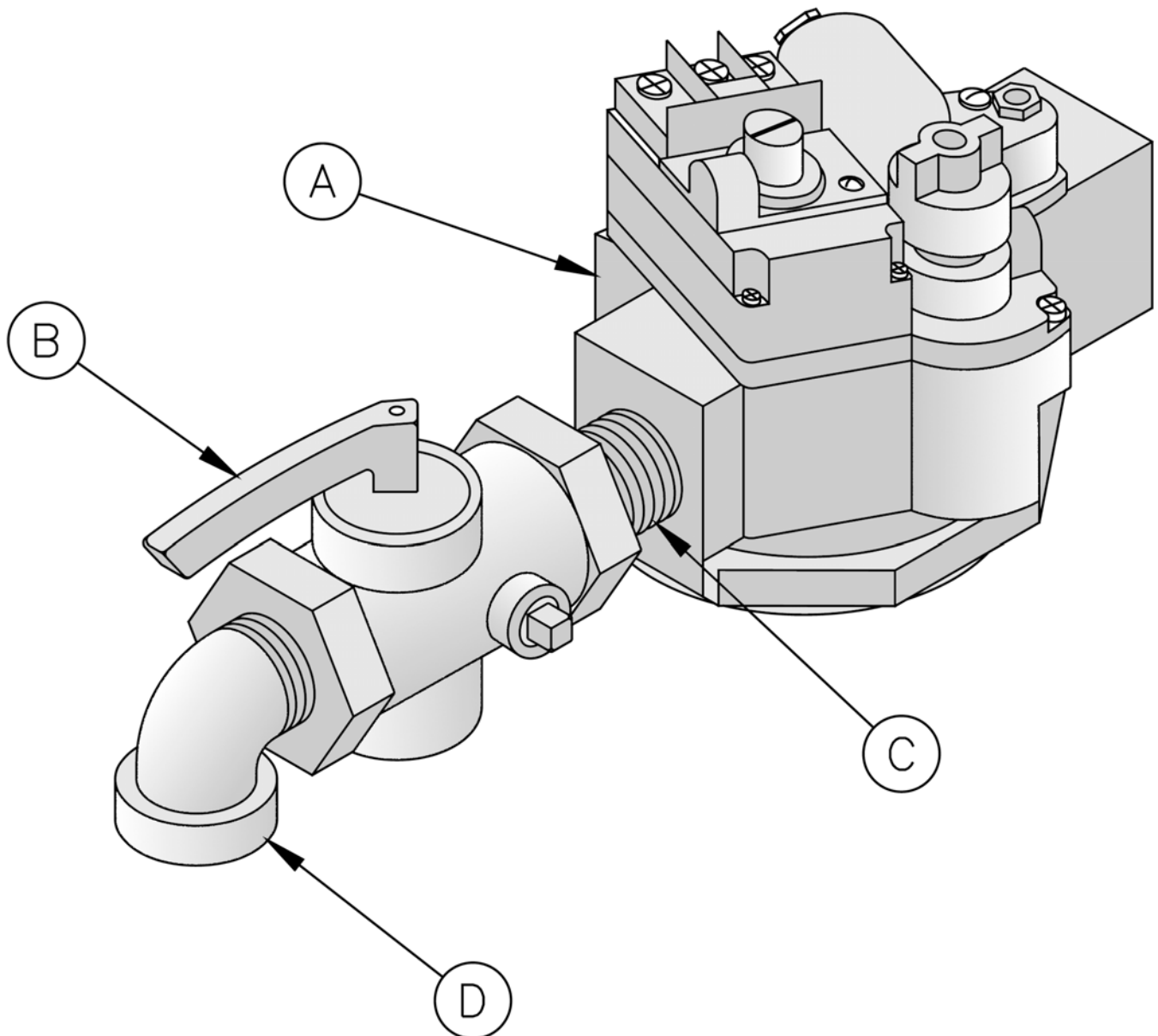
* Main burner orifice sizes shown for normal altitude (0-2000 feet). For High Altitude consult factory.



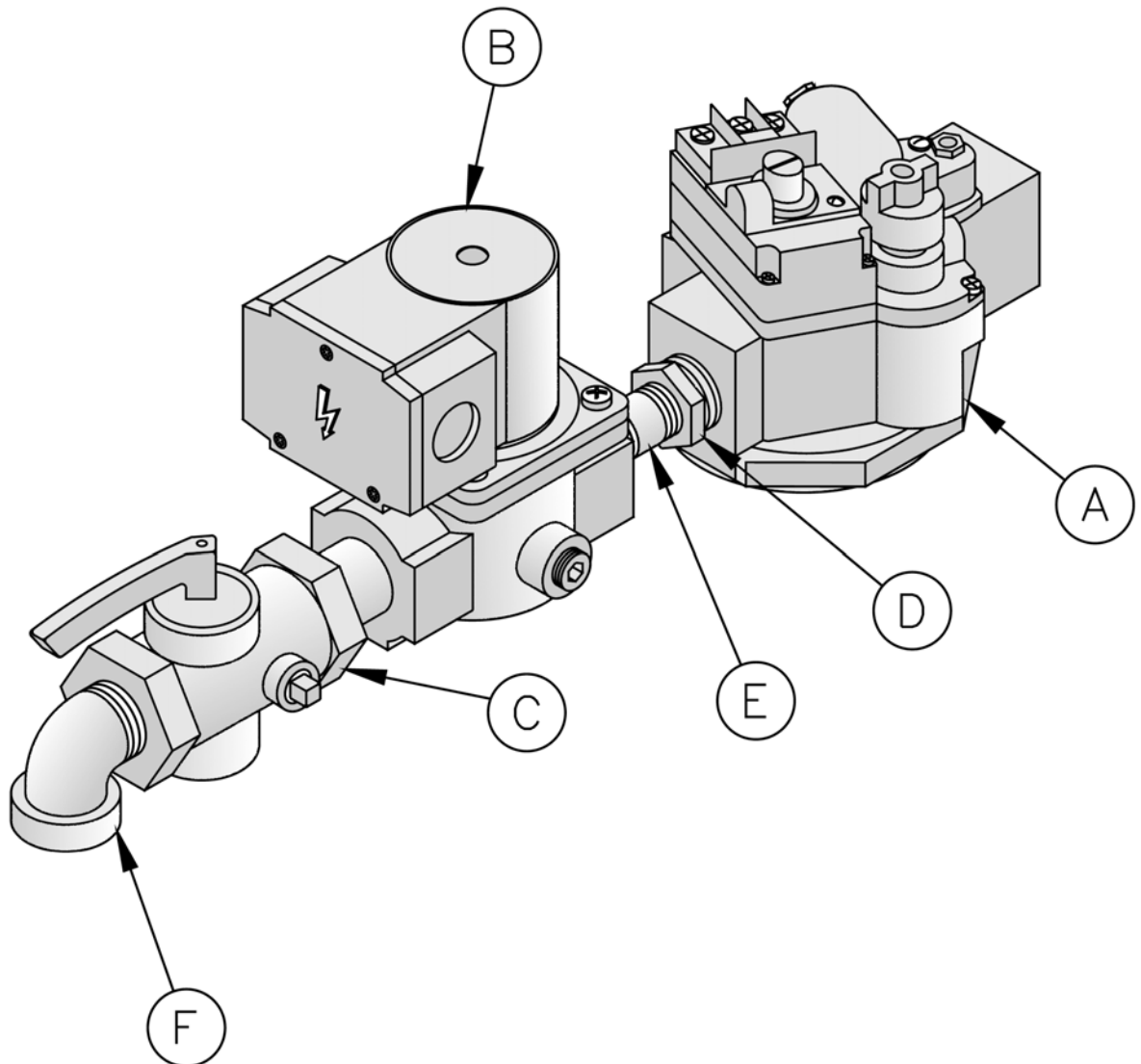
Item No.	Description	Part No.	Size	Quantity
5-1 Gas Train -- Standing Pilot (24V)				
24V: USA & Canada, 6 & 7 Section, Natural & LP Gas				
A	Gas Valve, Robertshaw 7000ERHC-S7C, Natural Gas, 1" NPT	81660156	806H - 810HE	1
	Gas Valve, Robertshaw 7000ERHC-LP-S7C, LP Gas, 1" NPT	81660157		
B	Solenoid Gas Valve, Honeywell V8295A1024, 3/4" NPT	81660235	806H - 807HE	1
	Solenoid Gas Valve, Honeywell V8295A1032, 1" NPT	81660236	808HE - 810HE	1
C	Manual Shut-Off Valve, Conbraco #50GB501A, 1" NPT	822615	808HE - 810HE Canada Only	1
D	Hex Bushing, 1" NPT x 3/4" NPT	806600501	806H & 807HE	1
E	Nipple, 3/4" NPT x 2" Lg.	806600003	806H & 807HE	1
	Nipple, 1" NPT x 2" Lg.	806600004	808HE - 810HE	2
F	Street Elbow, 1" NPT x 3/4" NPT	806601512	806H - 807HE	1
	Street Elbow, 1 1/4" NPT x 1" NPT	806601513	808HE - 810HE	



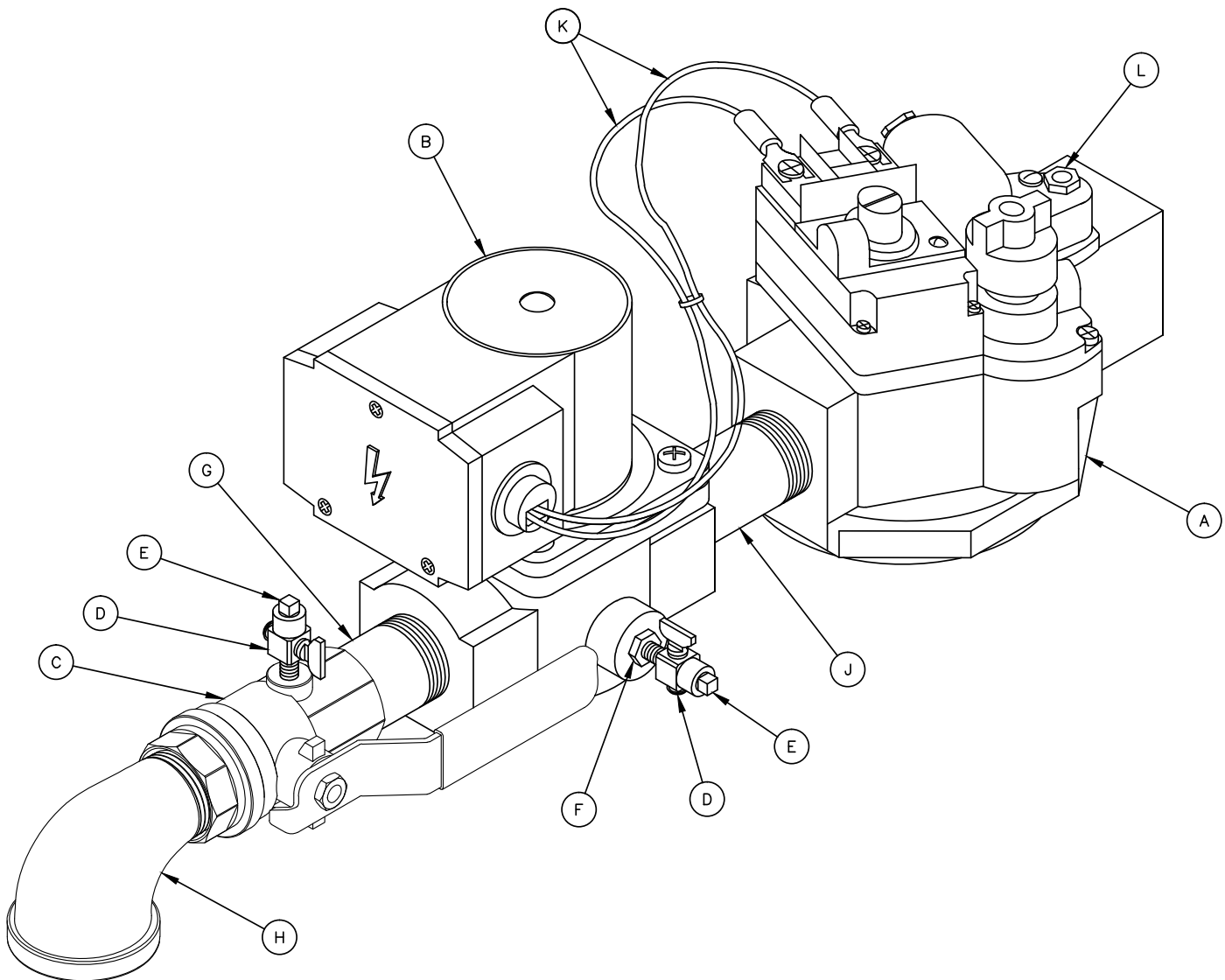
Item No.	Description	Part No.	Size	Quantity
5-2 Gas Train -- Intermittent Ignition (EI)				
USA: 5 - 10 Section, Natural and LP Gas				
Canada: 5 - 10 Section, Natural Gas				
7 Section, LP Gas				
A	Gas Valve, Robertshaw 7000DERHC, Natural Gas, 1" NPT	81660151	805H - 810HE	1
	Gas Valve, Robertshaw 7000DERHC-LP, LP Gas, 1" NPT	81660158	USA: 805H - 810HE Canada: 805H - 807HE	
B	Manual Shut-Off Valve, Conbraco #50GB501A, 1" NPT	822615	808HE - 810HE	1
C	Nipple, 1" NPT x 2" Lg.	806600004		
D	Street Elbow, 1" NPT	806601514	805H - 807HE	1
	Street Elbow, 1¼" NPT x 1" NPT	806601513	808HE - 810HE	



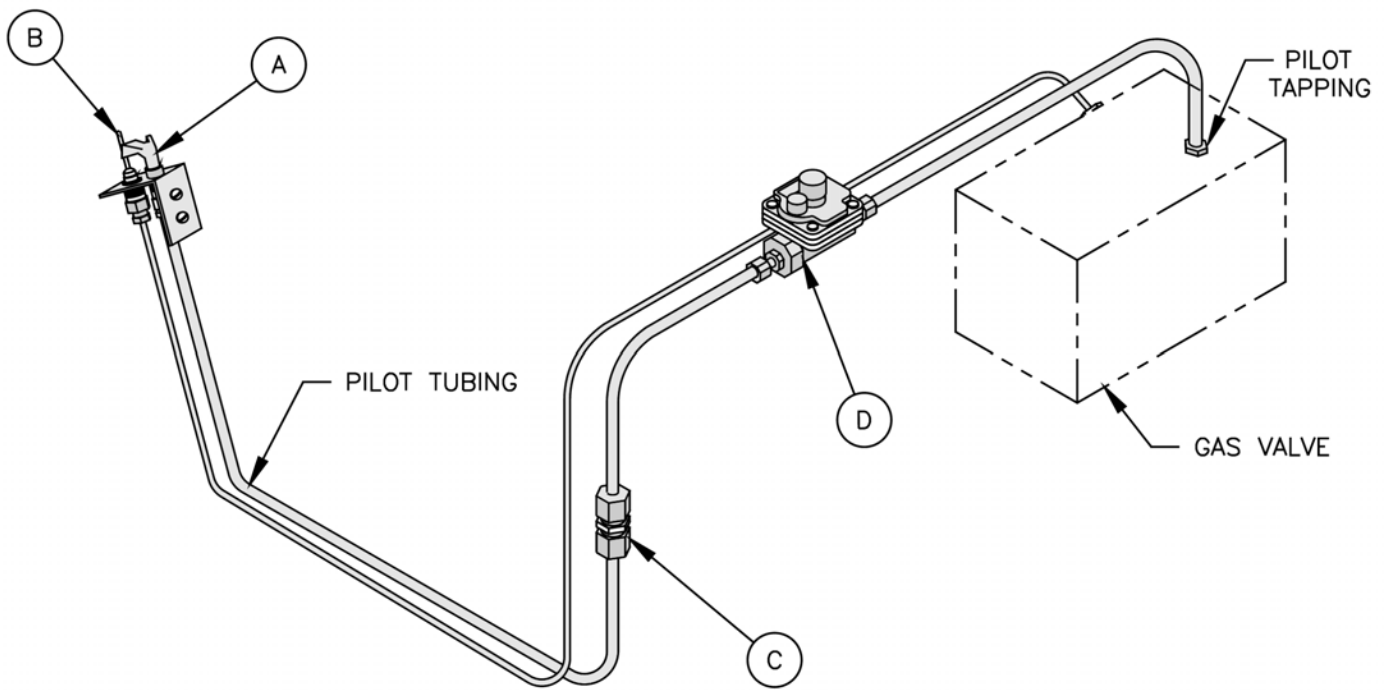
Item No.	Description	Part No.	Size	Quantity
5-3 Gas Train -- Intermittent Ignition (EP)				
USA & Canada: 6 - 10 Section, Natural Gas Only				
A	Gas Valve, Robertshaw 7000GVERHC-S7A, Natural Gas, 1" NPT	81660545	806H - 810HE	1
B	Solenoid Gas Valve, Honeywell V8295A1024, 3/4" NPT	81660235	806H - 807HE	1
	Solenoid Gas Valve, Honeywell V8295A1032, 1" NPT	81660236	808HE - 810HE	
C	Manual Shut-Off Valve, Conbraco #50GB501A, 1" NPT	822615	806H - 810HE	1
D	Hex Bushing, 1" NPT x 3/4" NPT	806600501	806H - 807HE	1
E	Nipple, 3/4" NPT x 2" Lg.	806600003	806H - 807HE	1
	Nipple, 1" NPT x 2" Lg.	806600004	808HE-810HE	2
F	Street Elbow, 1" NPT x 3/4" NPT	806601512	806H - 807HE	1
	Street Elbow, 1 1/4" NPT x 1" NPT	806601513	808HE-810HE	



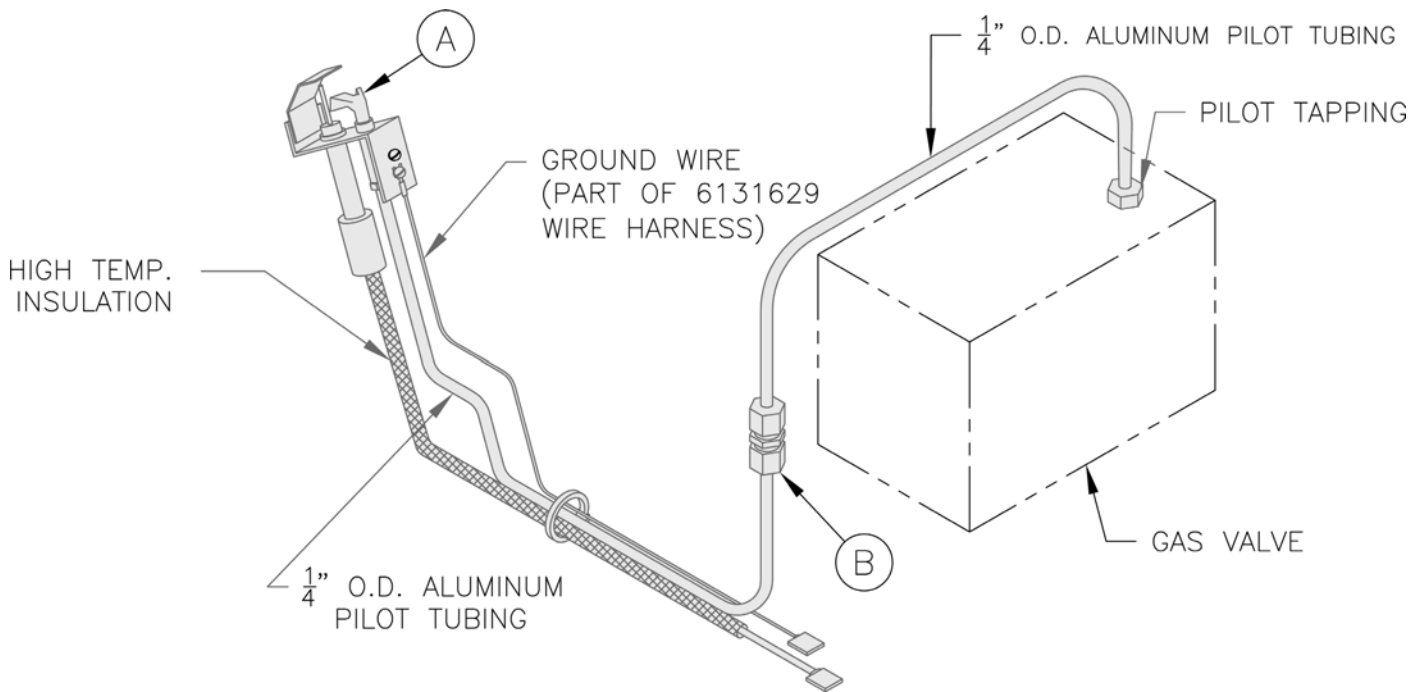
Item No.	Description	Part No.	Quantity
5-4 Gas Train -- Intermittent Ignition (EP-CSD-1)			
USA Only: 8 - 10 Section, Natural Gas Only			
A	Gas Valve, Robertshaw 7000GVERHC-S7A, Natural Gas, 1" NPT	81660545	1
B	Solenoid Gas Valve, Honeywell V8295A1032, 1" NPT	81660236	1
C	Manual Shut-Off Valve, Conbraco #50-403-02, 1" NPT	822615	1
D	Leak Test/Shut-Off Valve, Conbraco #50GB501A, 1/8" x 1/8"	822679	2
E	Pipe Plug, 1/8"	806603594	2
F	Hex Bushing, 1/4" x 1/8"	806600520	1
G	Nipple, 1" x 2" Long	806600004	1
H	Street Elbow, 90° x 1-1/4 x 1	806601513	1
J	Close Nipple, 1"	806600033	1
K	Wiring Harness, Gas Valve to Solenoid Valve	6136230	1
L	Pilot Outlet Plug, Honeywell #394424	8226051	1



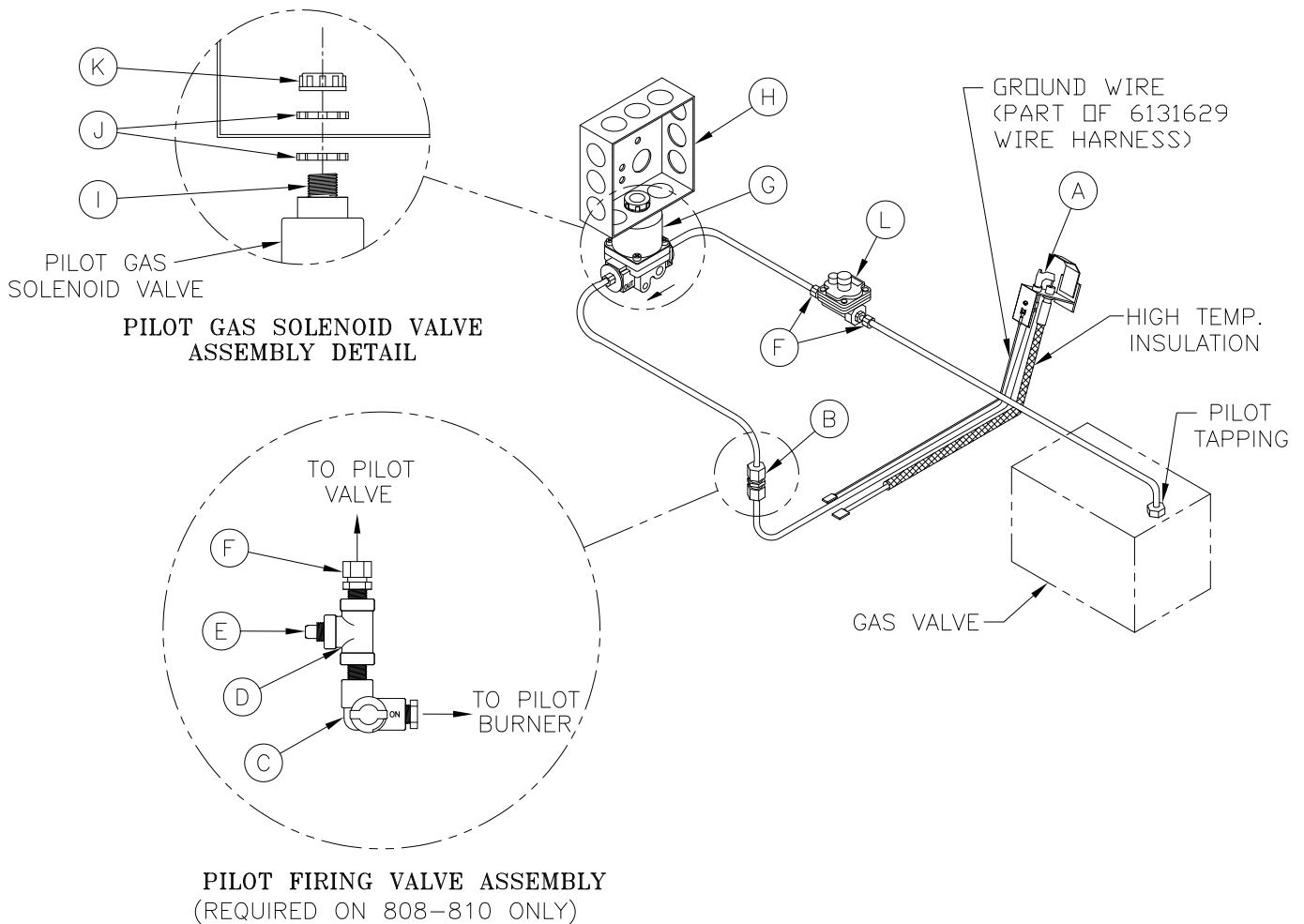
Item No.	Description	Part No.	Size	Quantity
5-5 Pilot Assembly and Piping -- Standing Pilot (24V)				
USA & Canada: 6 & 7 Section, Natural and LP Gas				
A	Pilot Burner, Honeywell Q314A3687, Natural Gas	8236033	807HE	1
	Pilot Burner, Honeywell Q314A3828, LP Gas	8236034		
B	Thermocouple, Honeywell Q309A1996 w/36" Lg. Lead	8236004		
C	Brass Compression Union, 1/4" OD Tube	8236008	806H - 807HE	1
D	Regulator, Maxitrol RV12LT, Natural Gas	8226005	Canada: 806H - 807HE Natural Gas Only	1
E	Brass Compression Adapter, 1/4" OD Tube x 1/8" NPT	822630	Canada: 806H - 807HE Natural Gas Only	2



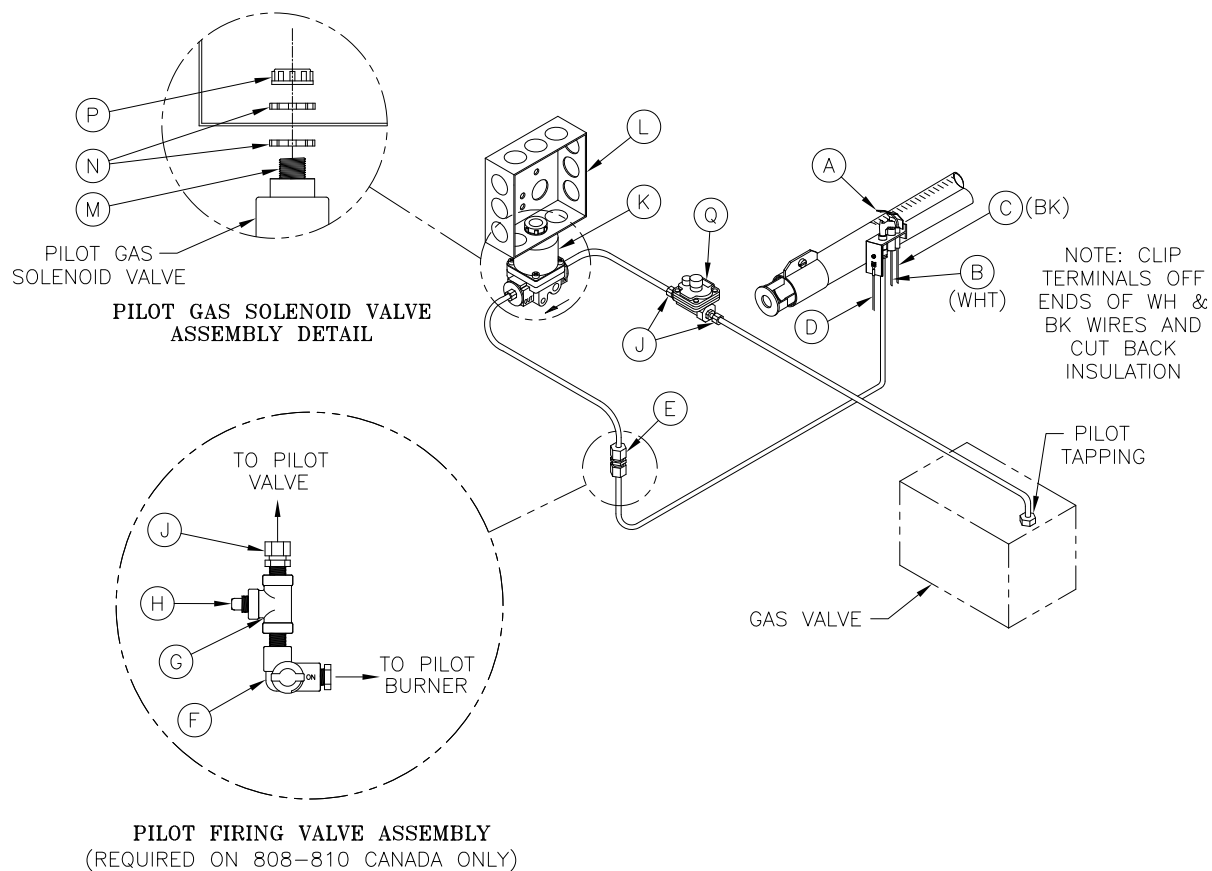
Item No.	Description	Part No.	Size	Quantity
5-6 Pilot Assembly and Piping -- Intermittent Ignition (Honeywell EI) USA				
5 - 10 Section, Natural and LP Gas				
A	Pilot Burner, Honeywell Q3481B1206, Natural Gas	103704-01	805H - 810HE	1
	Pilot Burner, Honeywell Q3481B1420, LP Gas	103705-01		
B	Brass Compression Union, 1/4" OD Tube	8236008		1



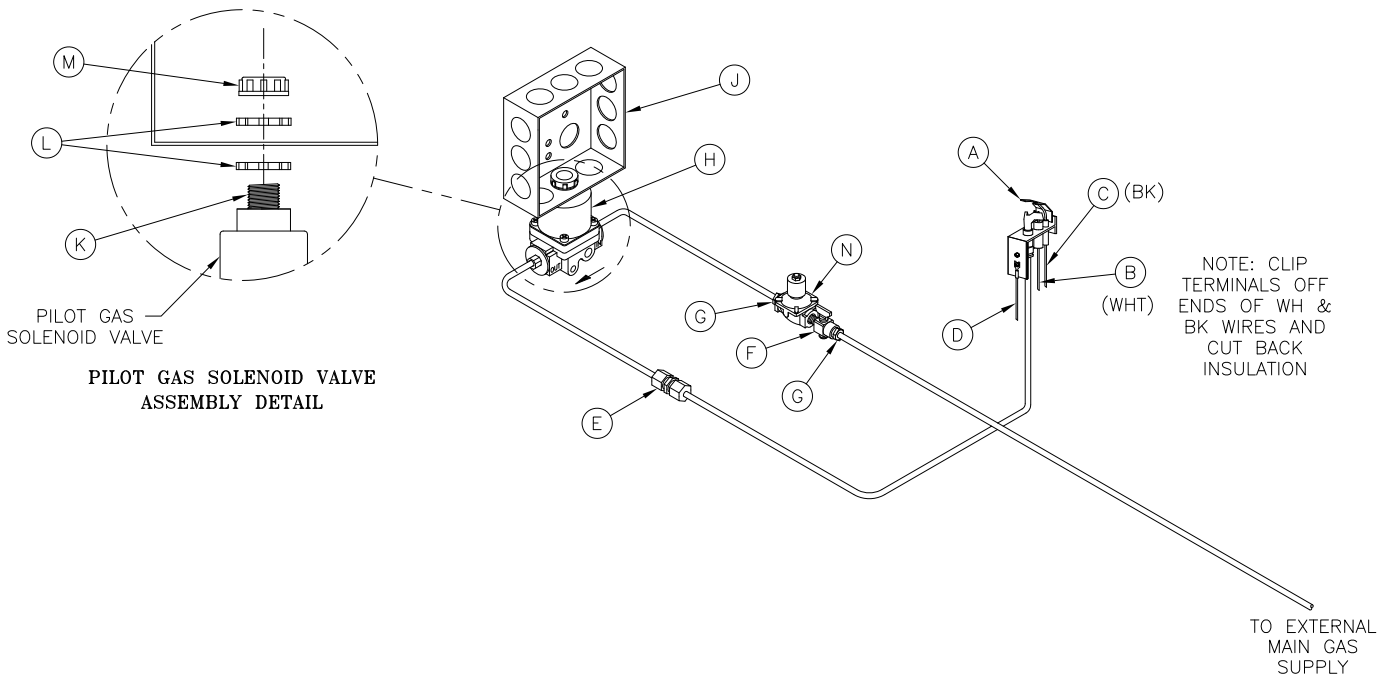
Item No.	Description	Part No.	Size	Quantity
5-7 Pilot Assembly and Piping -- Intermittent Ignition (Honeywell EI) Canada				
5 - 10 Section, Natural Gas				
5 Section, LP Gas				
A	Pilot Burner, Honeywell Q3481B1206, Natural Gas	103704-01	805H - 810HE	1
	Pilot Burner, Honeywell Q3481B1420, LP Gas	103705-01	805H - 810HE	
B	Brass Compression Union, 1/4" OD Tube	8236008	805H - 810HE	1
C	Shut-Off Valve, Essex P2L	822645	808HE - 810HE	1
D	Pipe Tee, 1/8" NPT, Malleable	806601005		
E	Pipe Plug, 1/8" NPT, Sq. Head	806603508		
F	Brass Compression Adapter, 1/4" OD Tube x 1/8" NPT	822630	807HE Natural Gas	2
			808HE - 810HE Natural Gas	3
			807HE LP Gas	1
G	Solenoid Gas Valve, Johnson H91WG-6	822666	All	1
H	Junction Box, 4" Sq. x 1-1/2" Deep	8136259		
I	Rigid Conduit Nipple, 1/2" NPT x 1-1/2" Lg.	8136019		
J	Conduit Locknut, 1/2"	8136220		
K	Plastic Insulating Bushing, 1/2"	8136034		
L	Regulator, Maxitrol RV12LT, Natural Gas	8226005	805H - 810HE Natural Gas Only	1

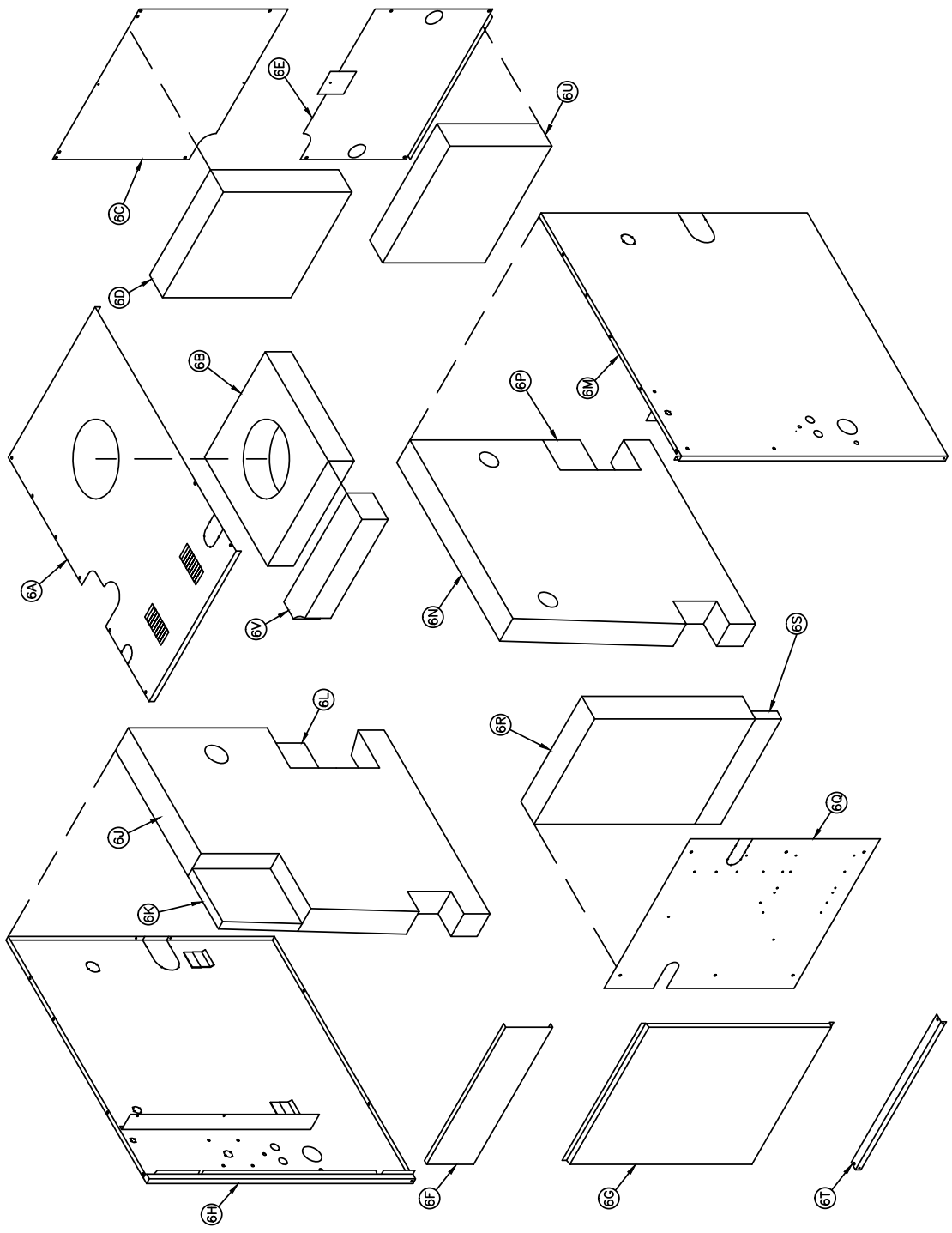


Item No.	Description	Part No.	Size	Quantity
5-8 Pilot Assembly and Piping -- Intermittent Ignition (EP)				
USA & Canada: 6 - 10 Section, Natural Gas Only				
A	Pilot Burner, Honeywell Q3452B2100, Natural Gas	102592-01	806H - 810HE	1
B	Ignition Lead (WHT)	Included With Pilot		1
C	Sensor Lead (BK)			1
D	Ground Wire Assembly	6136259		1
E	Brass Compression Coupling, 1/4" OD Tube	8236008	806H - 807HE USA & Canada 808HE - 810HE USA Only	1
F	Shut-Off Valve, Essex P2L	822645	808HE-810HE Canada Only	1
G	Pipe Tee, 1/8" NPT, Malleable	806601005		
H	Pipe Plug, 1/8" NPT, Sq. Head	806603508		
J	Brass Compression Adapter, 1/4" OD Tube x 1/8" NPT	822630	806H - 807HE Canada Only	2
			808HE - 810HE Canada Only	3
K	Solenoid Gas Valve, Johnson H91WA-4	822662	806H - 810HE	1
L	Junction Box, 4" Sq. x 1-1/2" Deep	8136259		1
M	Rigid Conduit Nipple, 1/2" NPT x 1-1/2" Lg.	8136019		1
N	Conduit Locknut, 1/2"	8136220		2
P	Plastic Insulating Bushing, 1/2"	8136034		1
Q	Regulator, Maxitrol RV12LT, Natural / LP Gas	8226005		806H - 810HE Canada Only

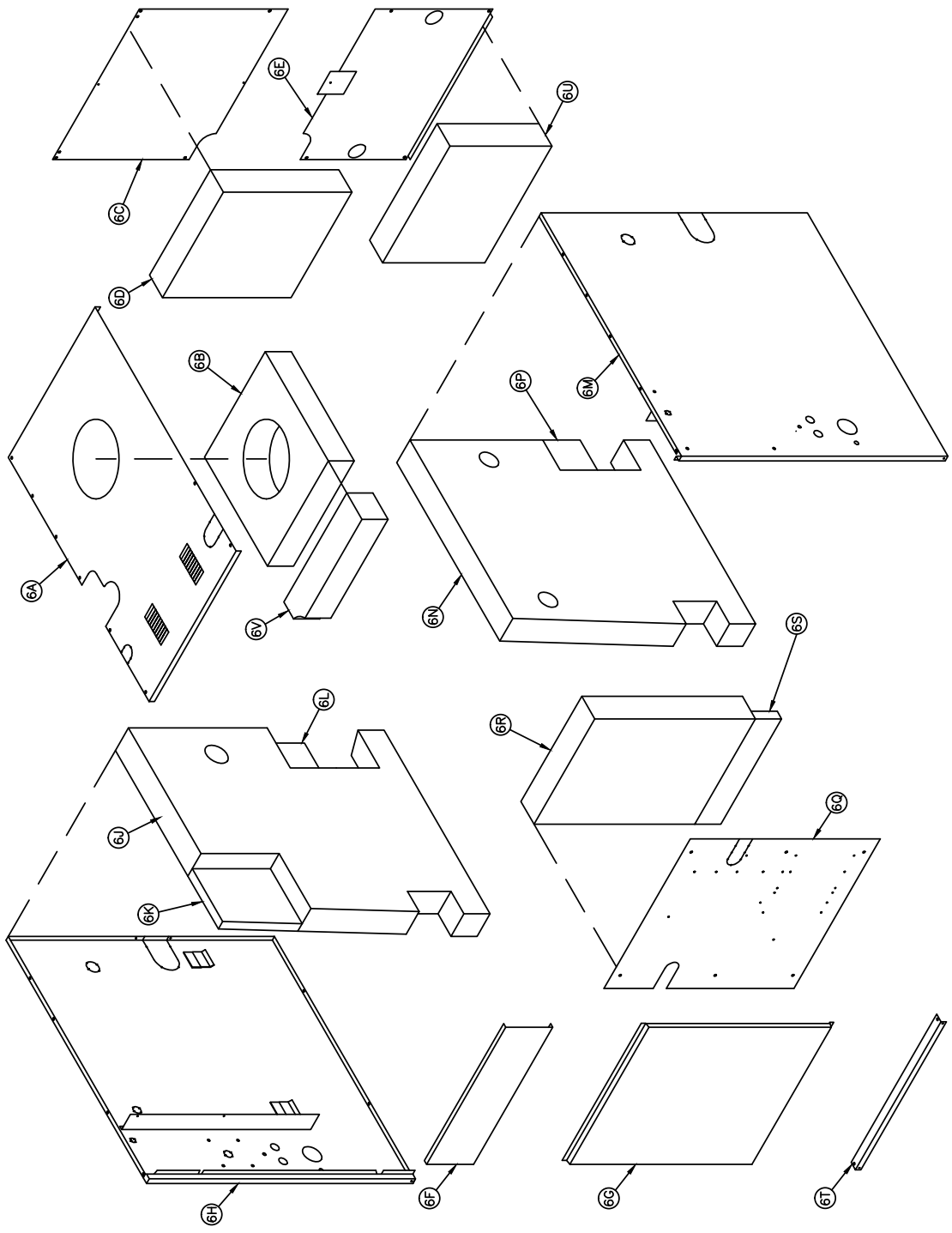


Item No.	Description	Part No.	Size	Quantity
5-9 Pilot Assembly and Piping -- Intermittent Ignition (EP-CSD-1)				
USA Only: 8 - 10 Section, Natural Gas Only				
A	Pilot Burner, Honeywell Q3452B2100, Natural Gas	102592-01	808HE - 810HE	1
B	Ignition Lead (WHT)	Included With Pilot		1
C	Sensor Lead (BK)			1
D	Ground Wire Assembly	6136259		1
E	Brass Compression Coupling, 1/4" OD Tube	8236008		1
F	Conbraco Leak Test / Shut-Off Cock, 1/8" x 1/8"	822679		1
G	Brass Compression Adapter, 1/4" OD Tube x 1/8" NPT	822630		2
H	Solenoid Gas Valve, Johnson H91WA-4	822662		1
J	Junction Box, 4" Sq. x 1-1/2" Deep	8136259		1
K	Rigid Conduit Nipple, 1/2" NPT x 1-1/2" Lg.	8136019		1
L	Conduit Locknut, 1/2"	8136220		2
M	Plastic Insulating Bushing, 1/2"	8136034		1
N	Regulator, Maxitrol RV12LT, Natural / LP Gas	8226005		1



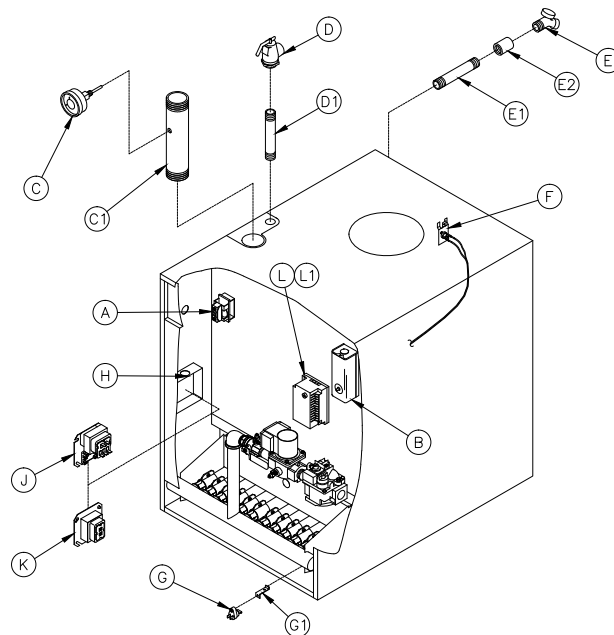


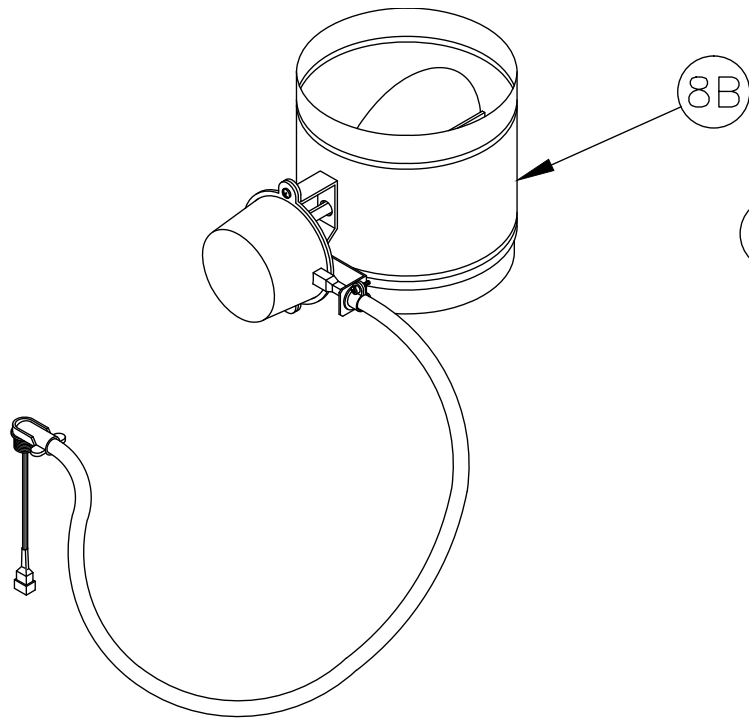
Item No.	Description	Part No.	Quantity					
			805H	806H	807HE	808HE	809HE	810HE
6. Jacket								
6	Complete	60416111	1	---	---	---	---	---
		60416121	---	1	---	---	---	---
		604160711	---	---	1	---	---	---
		604160811	---	---	---	1	---	---
		604160911	---	---	---	---	1	---
		604161011	---	---	---	---	---	1
6A	Jacket Top Panel	70416053	1	---	---	---	---	---
		70416063	---	1	---	---	---	---
		70416073	---	---	1	---	---	---
		70416083	---	---	---	1	---	---
		70416093	---	---	---	---	1	---
		70416103	---	---	---	---	---	1
6B	Jacket Top Panel Main Insulation	7201625	1	---	---	---	---	---
		7201627	---	1	---	---	---	---
		7201611	---	---	1	---	---	---
		7201613	---	---	---	1	---	---
		7201615	---	---	---	---	1	---
		7201617	---	---	---	---	---	1
6C	Jacket Upper Rear Panel	70416056	1	---	---	---	---	---
		70416066	---	1	---	---	---	---
		70416076	---	---	1	---	---	---
		70416086	---	---	---	1	---	---
		70416096	---	---	---	---	1	---
		70416106	---	---	---	---	---	1
6D	Jacket Upper Rear Panel Insulation	72016059	1	---	---	---	---	---
		72016069	---	1	---	---	---	---
		72016079	---	---	1	---	---	---
		72016089	---	---	---	1	---	---
		72016099	---	---	---	---	1	---
		72016109	---	---	---	---	---	1
6E	Jacket Lower Rear Panel	60416056	1	---	---	---	---	---
		60416066	---	1	---	---	---	---
		60416076	---	---	1	---	---	---
		60416086	---	---	---	1	---	---
		60416096	---	---	---	---	1	---
		60416106	---	---	---	---	---	1
6F	Jacket Upper Front Panel	70416051	1	---	---	---	---	---
		70416061	---	1	---	---	---	---
		70416071	---	---	1	---	---	---
		70416081	---	---	---	1	---	---
		70416091	---	---	---	---	1	---
		70416101	---	---	---	---	---	1
6G	Jacket Front Removable Panel	7041605	1	---	---	---	---	---
		7041606	---	1	---	---	---	---
		7041607	---	---	1	---	---	---
		7041608	---	---	---	1	---	---
		7041609	---	---	---	---	1	---
		7041610	---	---	---	---	---	1



Item No.	Description	Part No.	Quantity					
			805H	806H	807HE	808HE	809HE	810HE
6. Jacket (Continued)								
6H	Jacket Left Side Panel	6041601	1	1	1	1	1	1
6J	Jacket Left Side Panel Main Insulation Piece	72016021	1	1	1	1	1	1
6K	Jacket Left Side Panel Upper Corner Insulation Piece	72016023	1	1	1	1	1	1
6L	Jacket Left Side Panel Lower Corner Insulation Piece	72016022	1	1	1	1	1	1
6M	Jacket Right Side Panel	6041602	1	1	1	1	1	1
6N	Jacket Right Side Panel Main Insulation Piece	72016011	1	1	1	1	1	1
6P	Jacket Right Side Panel Lower Corner Insulation Piece	72016012	1	1	1	1	1	1
6Q	Jacket Vestibule Panel	70416055	1	---	---	---	---	---
		70416065	---	1	---	---	---	---
		70416075	---	---	1	---	---	---
		70416085	---	---	---	1	---	---
		70416095	---	---	---	---	1	---
6R	Jacket Vestibule Panel Upper Insulation Piece	72016057	1	---	---	---	---	---
		72016067	---	1	---	---	---	---
		72016077	---	---	1	---	---	---
		72016087	---	---	---	1	---	---
		72016097	---	---	---	---	1	---
6S	Jacket Vestibule Panel Lower Insulation Piece	72016107	---	---	---	---	---	1
		72016056	1	---	---	---	---	---
		72016066	---	1	---	---	---	---
		72016076	---	---	1	---	---	---
		72016086	---	---	---	1	---	---
6T	Jacket Lower Front Tie Bar	72016096	---	---	---	---	1	---
		72016106	---	---	---	---	---	1
		70416052	1	---	---	---	---	---
		70416062	---	1	---	---	---	---
		70416072	---	---	1	---	---	---
6U	Jacket Lower Rear Panel Insulation	70416082	---	---	---	1	---	---
		70416092	---	---	---	---	1	---
		70416102	---	---	---	---	---	1
		7201623	1	---	---	---	---	---
		7201624	---	1	---	---	---	---
6V	Jacket Top Panel Front Insulation	7201619	---	---	1	---	---	---
		7201620	---	---	---	1	---	---
		7201621	---	---	---	---	1	---
		7201622	---	---	---	---	---	1
		7201626	1	---	---	---	---	---
6V	Jacket Top Panel Front Insulation	7201628	---	1	---	---	---	---
		7201612	---	---	1	---	---	---
		7201614	---	---	---	1	---	---
		7201616	---	---	---	---	1	---
		7201618	---	---	---	---	---	1

Item No.	Description	Part No.	Quantity					
			805H	806H	807HE	808HE	809HE	810HE
7. Trim and Miscellaneous Controls								
A	Limit, 140-220°F, Honeywell L4080D1218 (EI & Standing Pilot); L4080B1212 (EP)	80160251 80160474	---	1	1	1	1	1
	Immersion Well, ¾" NPT x 1½" Insul. Depth	80160426	1	1	1	1	1	1
	Hydrostat 3200 with Sensor (805)	105522-01	1	---	---	---	---	---
	LWCO Well for Hydrostat 3200 (if used)	105203-01	1	---	---	---	---	---
B	Limit, Manual Reset, Honeywell L4006E1133	80160703	1	1	1	1	1	1
B1	Immersion Well, ¾" NPT x 3" Insul. Depth	80160452	1	1	1	1	1	1
C	Temperature - Pressure Gauge	100282-01	1	1	1	1	1	1
C1	Nipple, 2 NPT x 10" w/Gauge Tapping	8061601	1	1	1	1	1	1
D	Safety Relief Valve, ¾ NPT, 50 psi	81660302	1	1	1	1	1	1
D1	Nipple, ¾ NPT x 3½"	806600038	1	1	1	1	1	1
E	Drain Valve, ¾ NPT, Conbraco 35-302-03	806603061	1	1	1	1	1	1
E1	Nipple, ¾ NPT x 3½"	806600038	1	1	1	1	1	1
E2	Coupling, ¾ NPT	806602561	1	1	1	1	1	1
F	Blocked Vent Switch Replacement Assembly	6016058	1	1	1	1	1	1
G	Flame Roll-out Switch	80160044	1	1	1	1	1	1
G1	Flame Roll-out Switch Mounting Bracket	7181612	1	1	1	1	1	1
H	Junction Box	8136010	1	1	1	1	1	1
J	Control Center, Honeywell R8285D500 (Intermittent Circulation builds)	80160155U	---	1	1	1	1	1
K	Transformer, 50VA (Continuous Circulation builds)	80160249	---	1	1	1	1	1
L	Ignition Module, Honeywell S8610M3009 (EI)	100958-01	1	1	1	1	1	1
	Ignition Transformer, Allanson 1092 F (EP)	80160018						
L1	Module Support Bracket (EI only)	7016001	1	1	1	1	1	1
M	Vestibule Wiring Harness, Complete with Vent Damper Bypass Plug (EI and Standing Pilot) (Not Depicted)	81316010	---	1	1	---	---	---
		81316011	---	---	---	1	1	1
N	J-Box to 3200 and Auxiliary Limit Wiring Harness (not depicted)	81316017	1	---	---	---	---	---
O	Gas valve to ignition module wiring harness (not depicted)	6131629	1	1	1	1	1	1
P	Blocked Vent/Flame Rollout switch wiring harness (not depicted)	6136226	1	1	1	1	1	1
Q	Transformer to Aux Limit Wiring 36" (not depicted)	6136234	1	1	1			
	Transformer to Aux Limit Wiring 48" (not depicted)	6136235				1	1	1

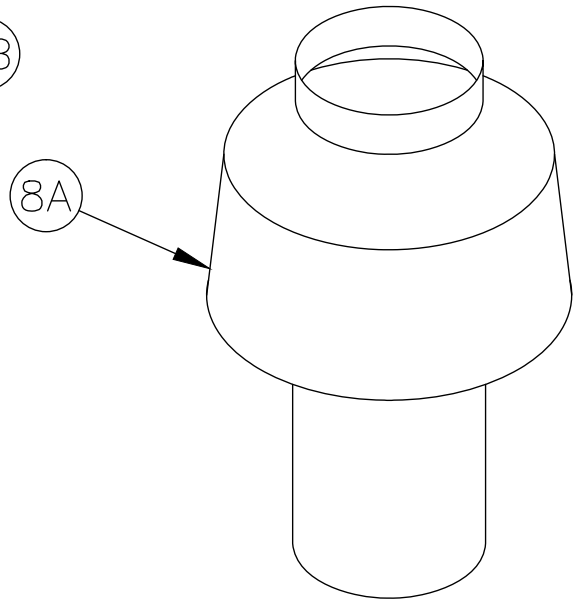




VENT DAMPER

(OPTIONAL: USA: 807HE-810HE)

(CANADA: 807HE ONLY)



DRAFT HOOD

Item No.	Description	Part No.	Quantity					
			805H	806H	807HE	808HE	809HE	810HE
8. Draft Hood and Automatic Vent Damper								
8A	Draft Hood	8111605	1	---	---	---	---	---
		8111604	---	1	1	---	---	---
		8111602	---	---	---	1	---	---
		8111601	---	---	---	---	1	1
8B	Automatic Vent Damper, 7"							
	Field Controls GVD-7PL	8116324	1	---	---	---	---	---
	Automatic Vent Damper, 8"							
	Field Controls GVD-8PL	8116325	---	1	1	---	---	---
	Automatic Vent Damper, 9"							
	Field Controls GVD-9PL	8116326	---	---	---	1	---	---
Automatic Vent Damper, 10"								
Field Controls GVD-10PL	8116327	---	---	---	---	1	1	

Limited Warranty

For Commercial Grade Boilers

Using Cast Iron, Carbon Steel,
or Stainless Steel Heat Exchangers
and Parts/Accessories

Subject to the terms and conditions set forth below, Burnham Commercial, Lancaster, Pennsylvania hereby extends the following limited warranties to the original owner of a commercial grade water or steam boiler or Burnham Commercial supplied parts and/or accessories manufactured and shipped on or after October 1, 2009:

ONE YEAR LIMITED WARRANTY ON COMMERCIAL GRADE BOILERS AND PARTS / ACCESSORIES SUPPLIED BY BURNHAM COMMERCIAL.

Burnham Commercial warrants to the original owner that its commercial grade water and steam boilers and parts/accessories comply at the time of manufacture with recognized hydronic industry standards and requirements then in effect and will be free of defects in material and workmanship under normal usage for a period of one year from the date of original installation. If any part of a commercial grade boiler or any part or accessory provided by Burnham Commercial is found to be defective in material or workmanship during this one year period, Burnham Commercial will, at its option, repair or replace the defective part (not including labor).

HEAT EXCHANGER WARRANTIES

Burnham Commercial warrants to the original owner that the heat exchanger of its commercial grade boilers will remain free from defects in material and workmanship under normal usage for the time period specified in the chart below to the original owner at the original place of installation. If a claim is made under this warranty during the "No Charge" period from the date of original installation, Burnham Commercial will, at its option, repair or replace the heat exchanger (not including labor). If a claim is made under this warranty after the expiration of the "No Charge" period from the date of original installation, Burnham Commercial will, at its option and upon payment of the pro-rated service charge set forth below, repair or replace the heat exchanger. The service charge applicable to a heat exchanger warranty claim is based upon the number of years the heat exchanger has been in service and will be determined as a percentage of the retail price of the heat exchanger model involved at the time the warranty claim is made as follows:

Years in Service	Service Charge as a % of Retail Price										
	1	2	3	4	5	6	7	8	9	10+	
Cast Iron	No Charge									100	
Carbon Steel	No Charge	100									
Stainless Steel	No Charge					20	40	60	80	100	

NOTE: If the heat exchanger involved is no longer available due to product obsolescence or redesign, the value used to establish the retail price will be the published price as set forth in Burnham Commercial Repair Parts Pricing where the heat exchanger last appeared or the current retail price of the then nearest equivalent heat exchanger, whichever is greater.

ADDITIONAL TERMS AND CONDITIONS

- Applicability: The limited warranties set forth above are extended only to the original owner at the original place of installation within the United States and Canada. These warranties are applicable only to boilers, parts, or accessories designated as commercial grade by Burnham Commercial and installed and used exclusively for purposes of commercial space heating or domestic hot water generation through a heat exchanger (or a combination for such purposes) and do not apply to residential grade products or industrial uses.
- Components Manufactured by Others: Upon expiration of the one year limited warranty on commercial grade boilers, all boiler components other than heat exchangers manufactured by others but furnished by Burnham Commercial (such as oil burner, circulator and controls) will be subject only to the manufacturer's warranty, if any.
- Proper Installation: The warranties extended by Burnham Commercial are conditioned upon the installation of the commercial grade boiler, parts, and accessories in strict compliance with Burnham Commercial installation instructions. Burnham Commercial specifically disclaims liability of any kind caused by or relating to improper installation.
- Proper Use and Maintenance: The warranties extended by Burnham Commercial conditioned upon the use of the commercial grade boiler, parts, and accessories for its intended purposes and its maintenance accordance with Burnham Commercial recommendations and hydronics industry standards. For proper installation, use, and maintenance, see all applicable sections of the Installation and Operating, and Service Instructions Manual furnished with the unit.
- This warranty does not cover the following:
 - Expenses for removal or reinstallation. The owner will be responsible for the cost of removing and reinstalling the alleged defective part or its replacement and all labor and material connected therewith, and transportation to and from Burnham Commercial.
 - Components that are part of the heating system but were not furnished by Burnham Commercial as part of the commercial boiler.
 - Improper burner adjustment, control settings, care or maintenance.
 - This warranty cannot be considered as a guarantee of workmanship of an installer connected with the installation of the Burnham Commercial boiler, or as imposing on Burnham Commercial liability of any nature for unsatisfactory performance as a result of faulty workmanship in the installation, which liability is expressly disclaimed.

- Boilers, parts, or accessories installed outside the 48 contiguous United States, the State of Alaska and Canada.
 - Damage to the boiler and/or property due to installation or operation of the boiler that is not in accordance with the boiler installation and operating instruction manual.
 - Any damage or failure of the boiler resulting from hard water, scale buildup or corrosion the heat exchanger.
 - Any damage caused by improper fuels, fuel additives or contaminated combustion air that may cause fireside corrosion and/or clogging of the burner or heat exchanger.
 - Any damage resulting from combustion air contaminated with particulate which cause clogging of the burner or combustion chamber including but not limited to sheetrock or plasterboard particles, dirt, and dust particulate.
 - Any damage, defects or malfunctions resulting from improper operation, maintenance, misuse, abuse, accident, negligence including but not limited to operation with insufficient water flow, improper water level, improper water chemistry, or damage from freezing.
 - Any damage caused by water side clogging due to dirty systems or corrosion products from the system.
 - Any damage resulting from natural disaster.
 - Damage or malfunction due to the lack of required maintenance outlined in the Installation and Operating Manuals furnished with the unit.
- Exclusive Remedy: Burnham Commercial obligation for any breach of these warranties is limited to the repair or replacement of its parts (not including labor) in accordance with the terms and conditions of these warranties.
 - Limitation of Damages: Under no circumstances shall Burnham Commercial be liable for incidental, indirect, special or consequential damages of any kind whatsoever under these warranties, including, but not limited to, injury or damage to persons or property and damages for loss of use, inconvenience or loss of time. Burnham Commercial liability under these warranties shall under no circumstances exceed the purchase price paid by the owner for the commercial grade boiler involved. Some states do not allow the exclusion or limitation of incidental or consequential damages, so the above limitation or exclusion may not apply to you.
 - Limitation of Warranties: These warranties set forth the entire obligation of Burnham Commercial with respect to any defect in a commercial grade boiler, parts, or accessories and Burnham Commercial shall have no express obligations, responsibilities or liabilities of any kind whatsoever other than those set forth herein. These warranties are given in lieu of all other express warranties.

ALL APPLICABLE IMPLIED WARRANTIES, IF ANY, INCLUDING ANY WARRANTY OF MERCHANTABILITY OR FITNESS FOR A PARTICULAR PURPOSE ARE EXPRESSLY LIMITED IN DURATION TO A PERIOD OF ONE YEAR EXCEPT THAT IMPLIED WARRANTIES, IF ANY, APPLICABLE TO THE HEAT EXCHANGER IN A COMMERCIAL GRADE BOILER SHALL EXTEND TO THE ORIGINAL OWNER FOR THE TIME SPECIFIED IN THE HEAT EXCHANGER SECTION SHOWN ABOVE AT THE ORIGINAL PLACE OF INSTALLATION. SOME STATES DO NOT ALLOW LIMITATION ON HOW LONG AN IMPLIED WARRANTY LASTS, SO THE ABOVE LIMITATION MAY NOT APPLY TO YOU.

PROCEDURE FOR OBTAINING WARRANTY SERVICE

In order to assure prompt warranty service, the owner is requested to complete and mail the Warranty Card provided with the product or register product online at www.burnhamcommercialcastiron.com within ten days after the installation of the boiler, although failure to comply with this request will not void the owner's rights under these warranties. Upon discovery of a condition believed to be related to a defect in material or workmanship covered by these warranties, the owner should notify the installer, who will in turn notify the distributor. If this action is not possible or does not produce a prompt response, the owner should write to Burnham Commercial, P.O. Box 3939, Lancaster, PA 17604, giving full particulars in support of the claim. The owner is required to make available for inspection by Burnham Commercial or its representative the parts claimed to be defective and, if requested by Burnham Commercial to ship these parts prepaid to Burnham Commercial at the above address for inspection or repair. In addition, the owner agrees to make all reasonable efforts to settle any disagreement arising in connection with a claim before resorting to legal remedies in the courts.

THIS WARRANTY GIVES YOU SPECIFIC LEGAL RIGHTS AND YOU MAY ALSO HAVE OTHER RIGHTS WHICH VARY FROM STATE TO STATE.



Burnham Commercial, P.O. Box 3939, Lancaster, PA 17604

Revised January 15, 2021

Pub. No. BCL1109041